
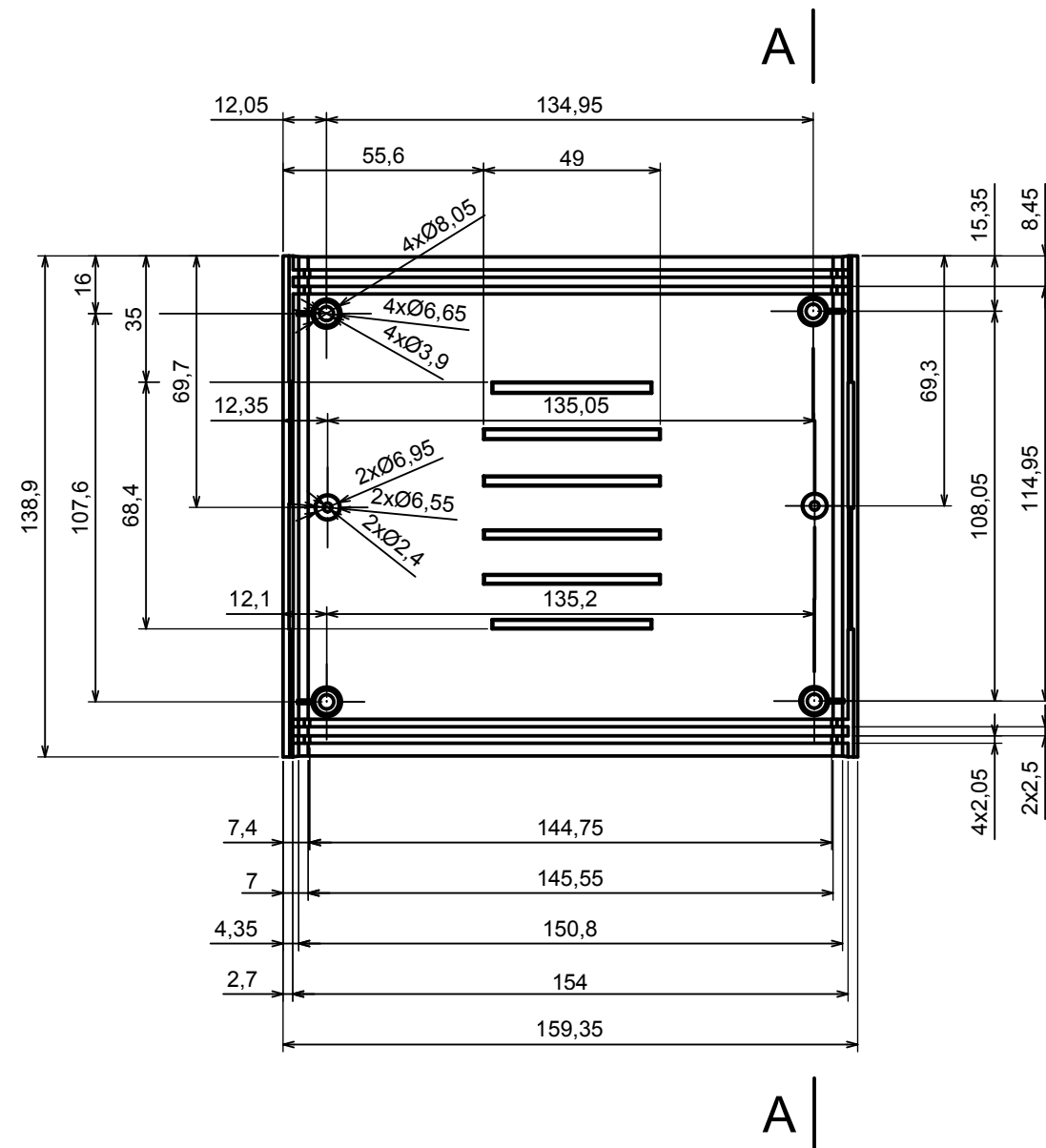
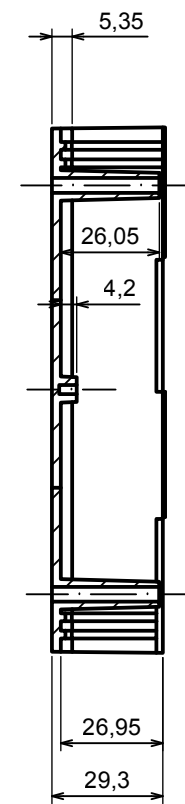


A |

All rights reserved, Copyright Kradex 2017		
Product model	Enclosure Z4AW - Assembly	
Format: A3	Material: PS, ABS	
Scale 1:2	Tolerance: +/- 0.8	



A-A



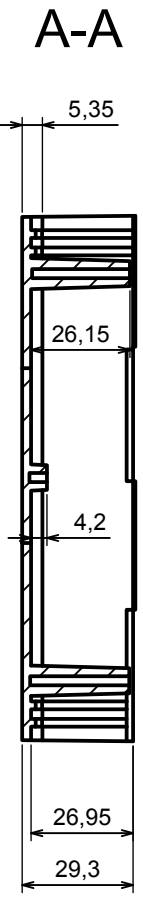
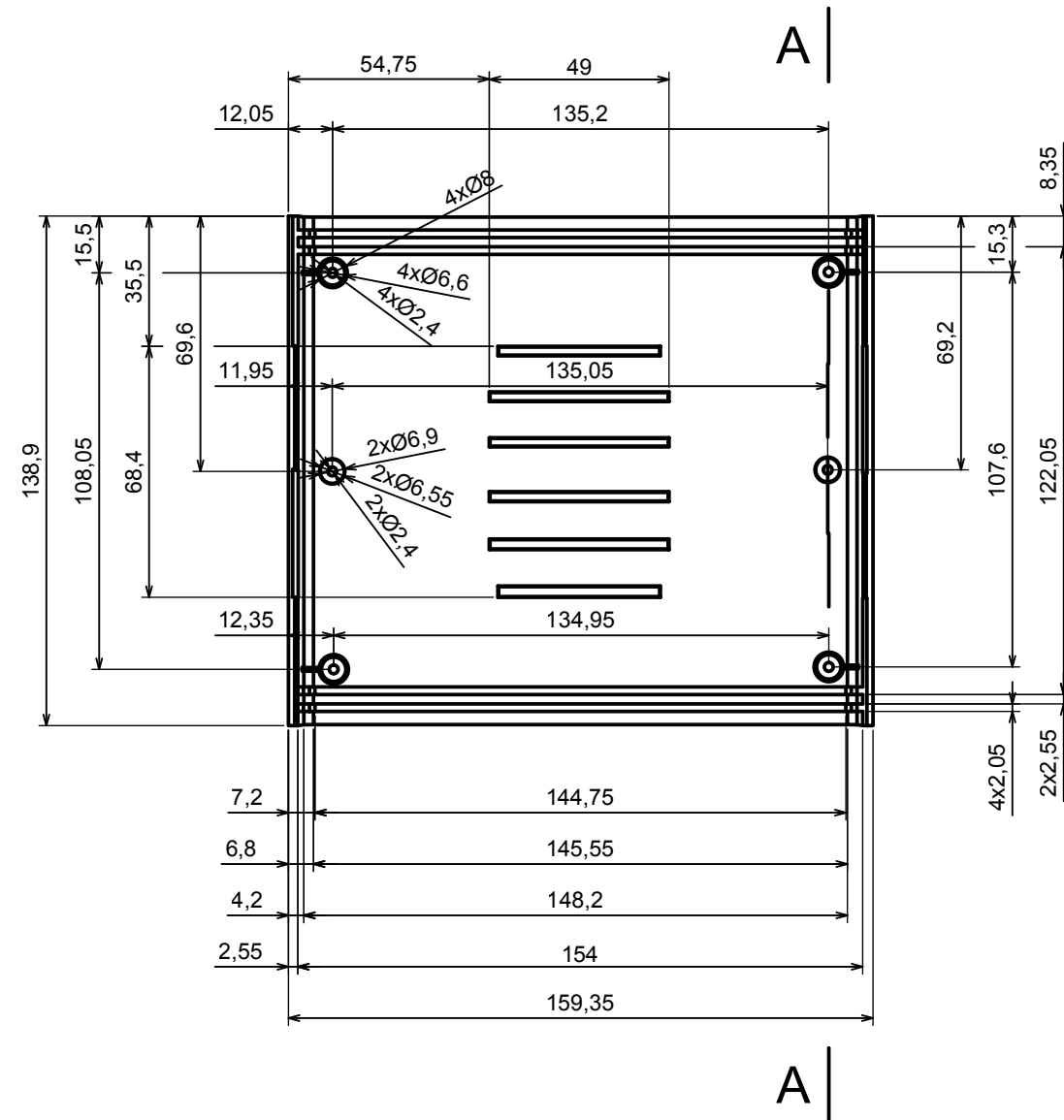
All rights reserved, Copyright Kradex 2017


Product model: Enclosure Z4AW - Base

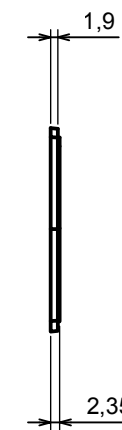
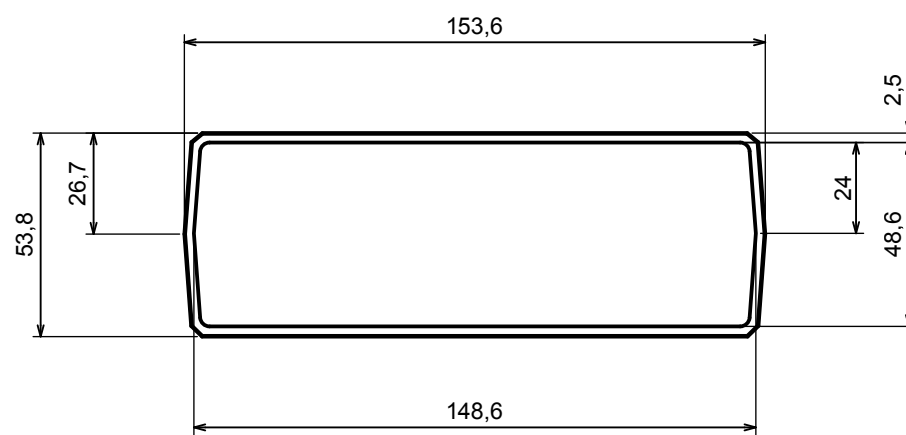
Format: A3 Material: PS, ABS


Scale 1:1 Tolerance: +/- 0.8

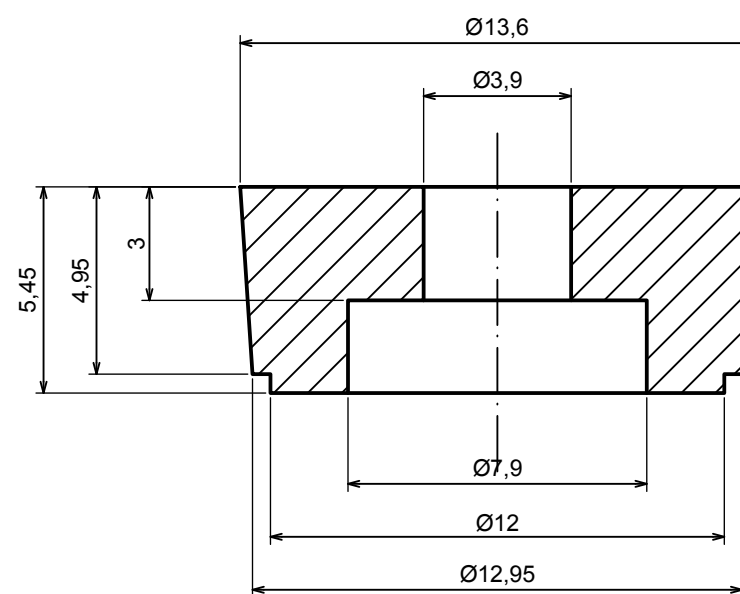




All rights reserved, Copyright Kradex 2017		
Product model	Enclosure Z4AW - Cover	
Format: A3	Material: PS, ABS	
Scale 1:2	Tolerance: +/- 0.8	



All rights reserved, Copyright Kradex 2017		
Product model	Enclosure Z4AW - Board	
Format: A3	Material: PS, ABS	
Scale 1:1	Tolerance: +/- 0.8	



All rights reserved, Copyright Kradex 2017

Product model Enclosure Z4AW - Foot

Format: A3 Material: PS, ABS

Scale 5:1 Tolerance: +/- 0.8

