
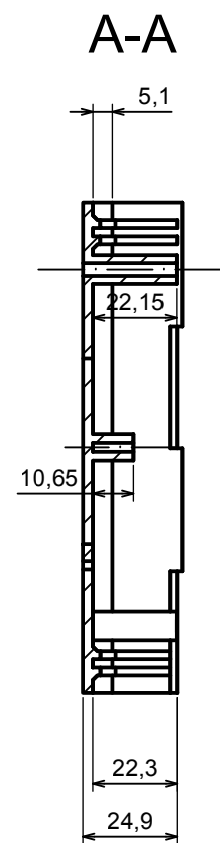
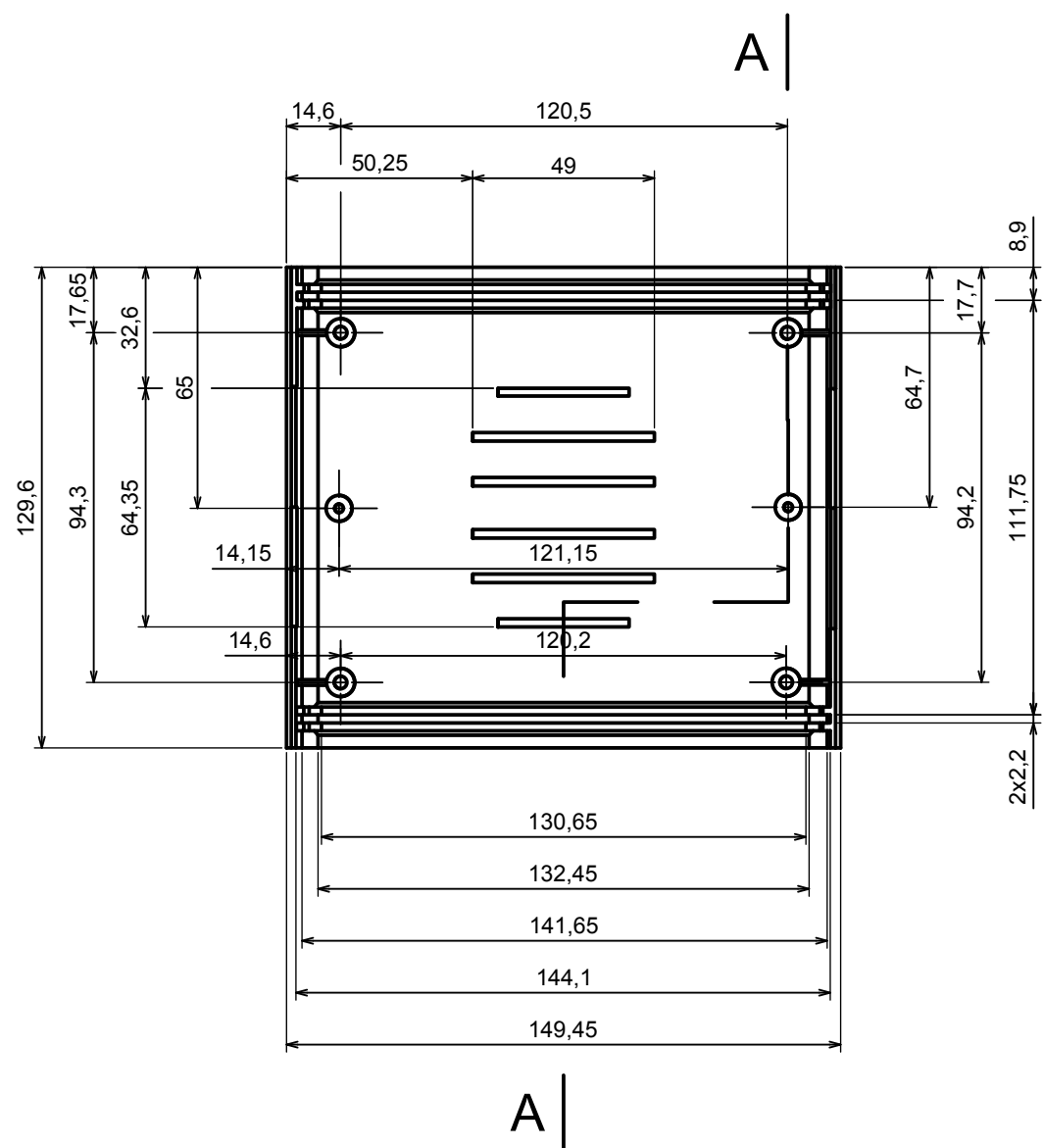

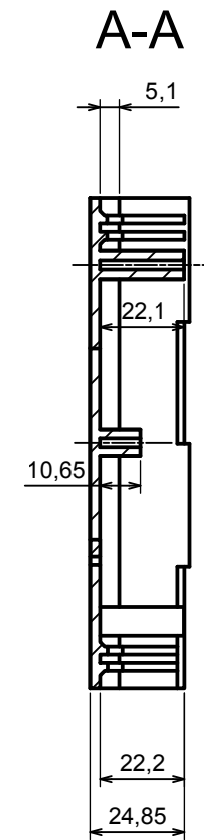
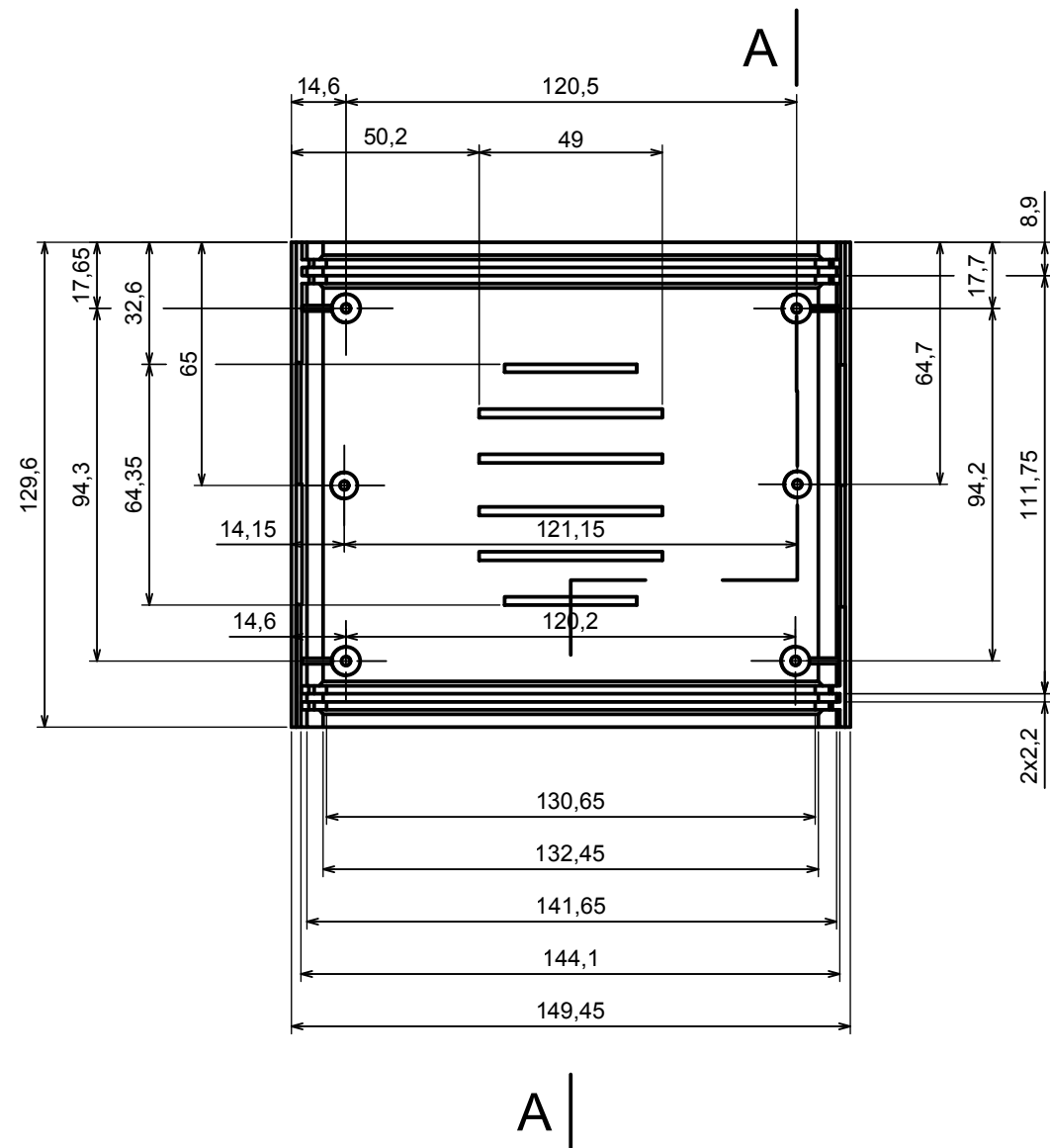


A |

All rights reserved, Copyright Kradex 2016		
Product model	Enclosure Z4W - assembly	
Format: A3	Material: PS, ABS	
Scale 1:2	Tolerance: +/- 0.8	



All rights reserved, Copyright Kradox 2016		
Product model	Enclosure Z4W - base	
Format: A3	Material: PS, ABS	
Scale 1:2	Tolerance: +/- 0.8	



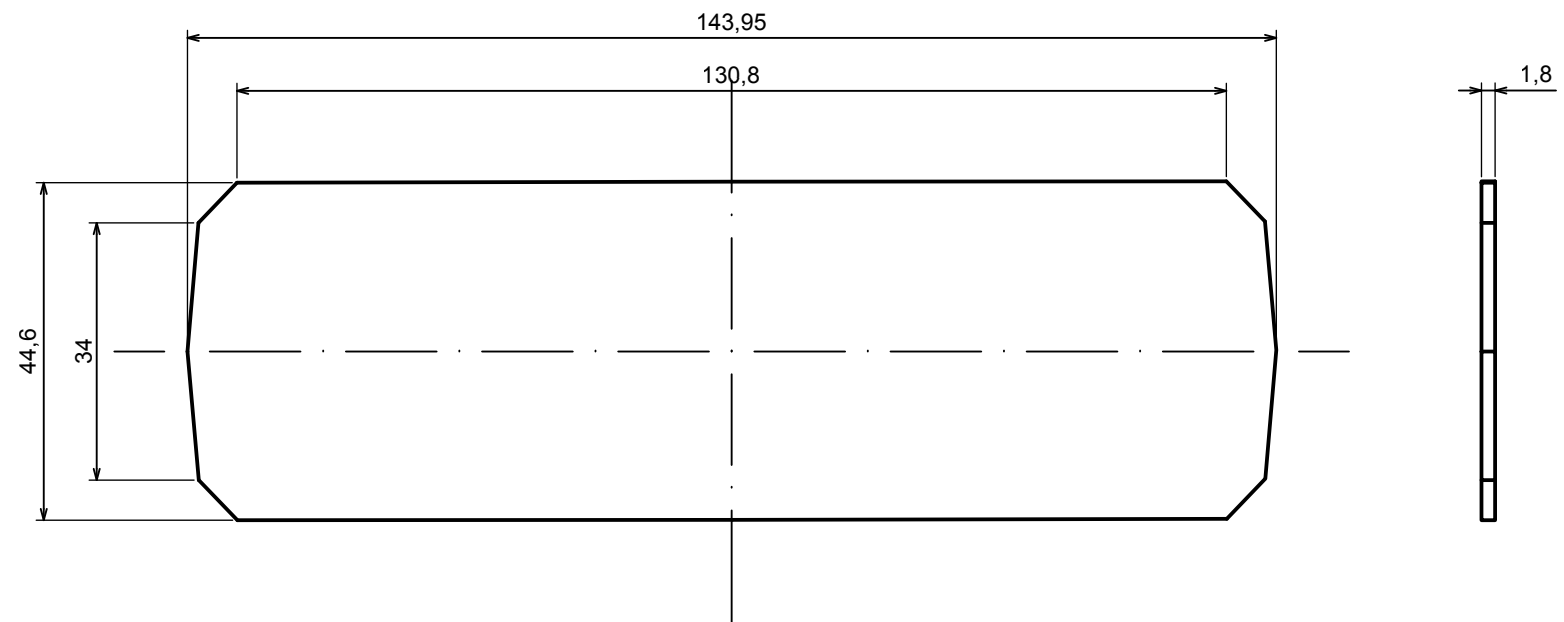
All rights reserved, Copyright Kradex 2016


Product model Enclosure Z4W - cover

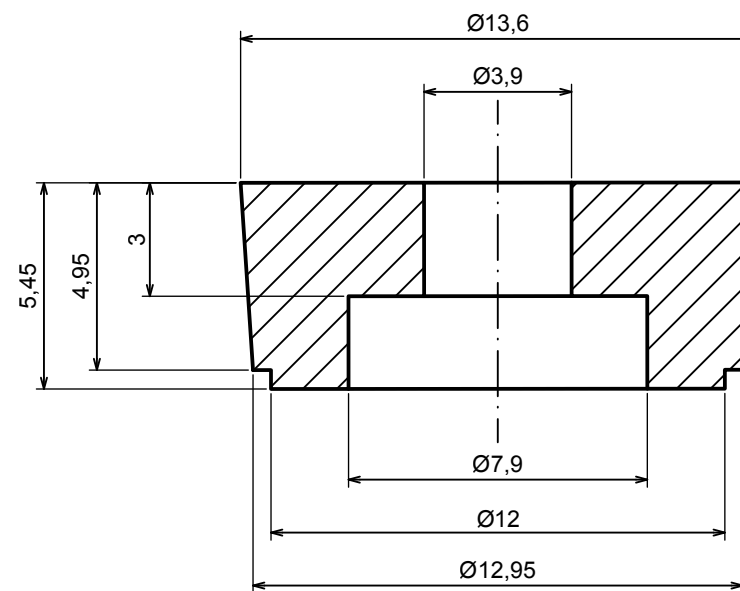
Format: A3 Material: PS, ABS

Scale 1:2 Tolerance: +/- 0.8





All rights reserved, Copyright Kradex 2016		
Product model	Enclosure Z4W - board	
Format: A3	Material: PS, ABS	
Scale 1:1	Tolerance: +/- 0.8	



All rights reserved, Copyright Kradex 2016

Product model Enclosure Z4W - foot

Format: A3 Material: PS, ABS

Scale 5:1 Tolerance: +/- 0.8

