
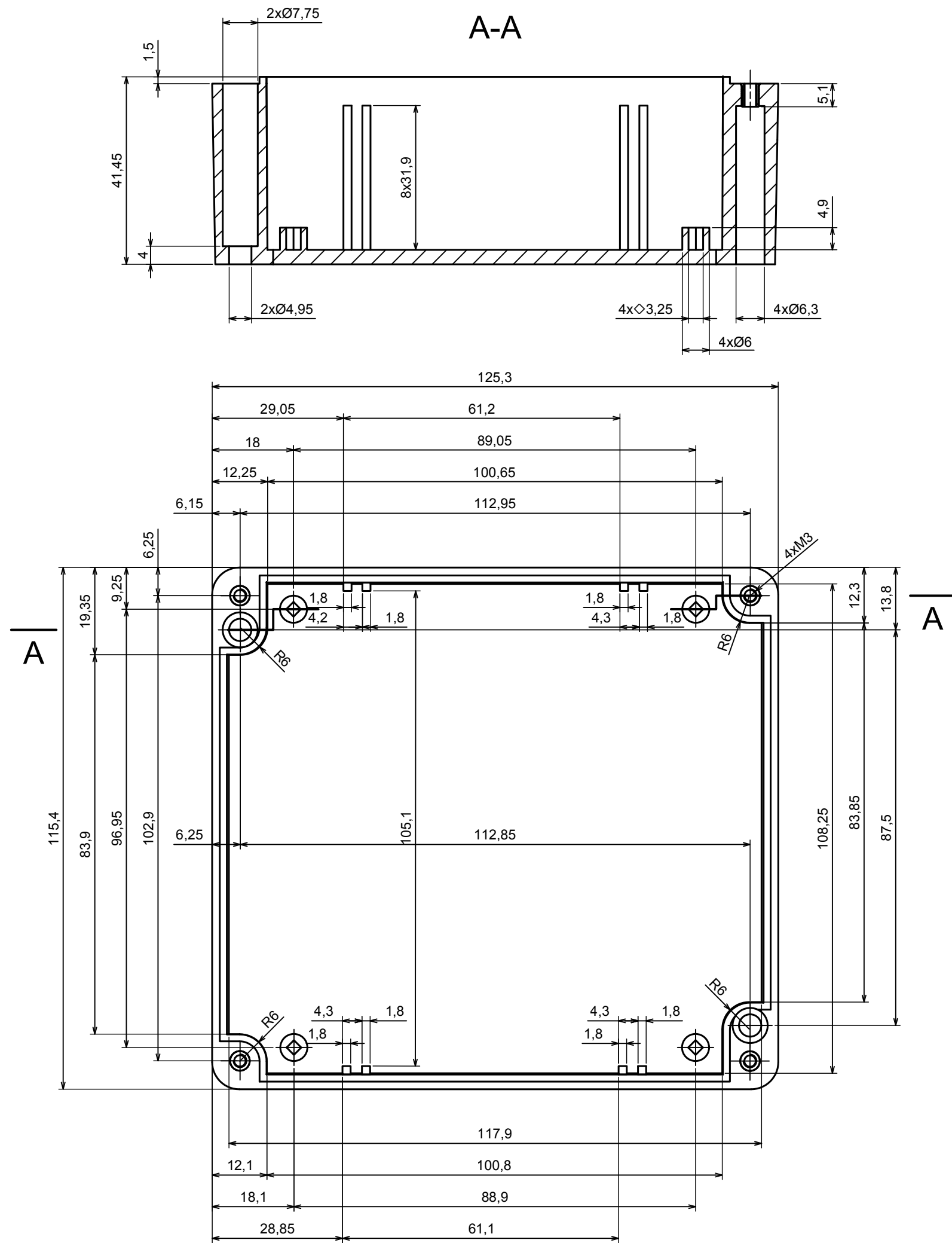

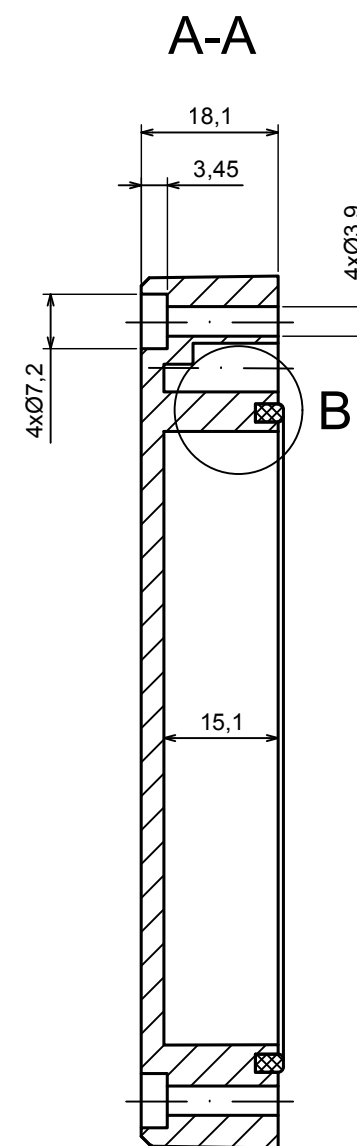
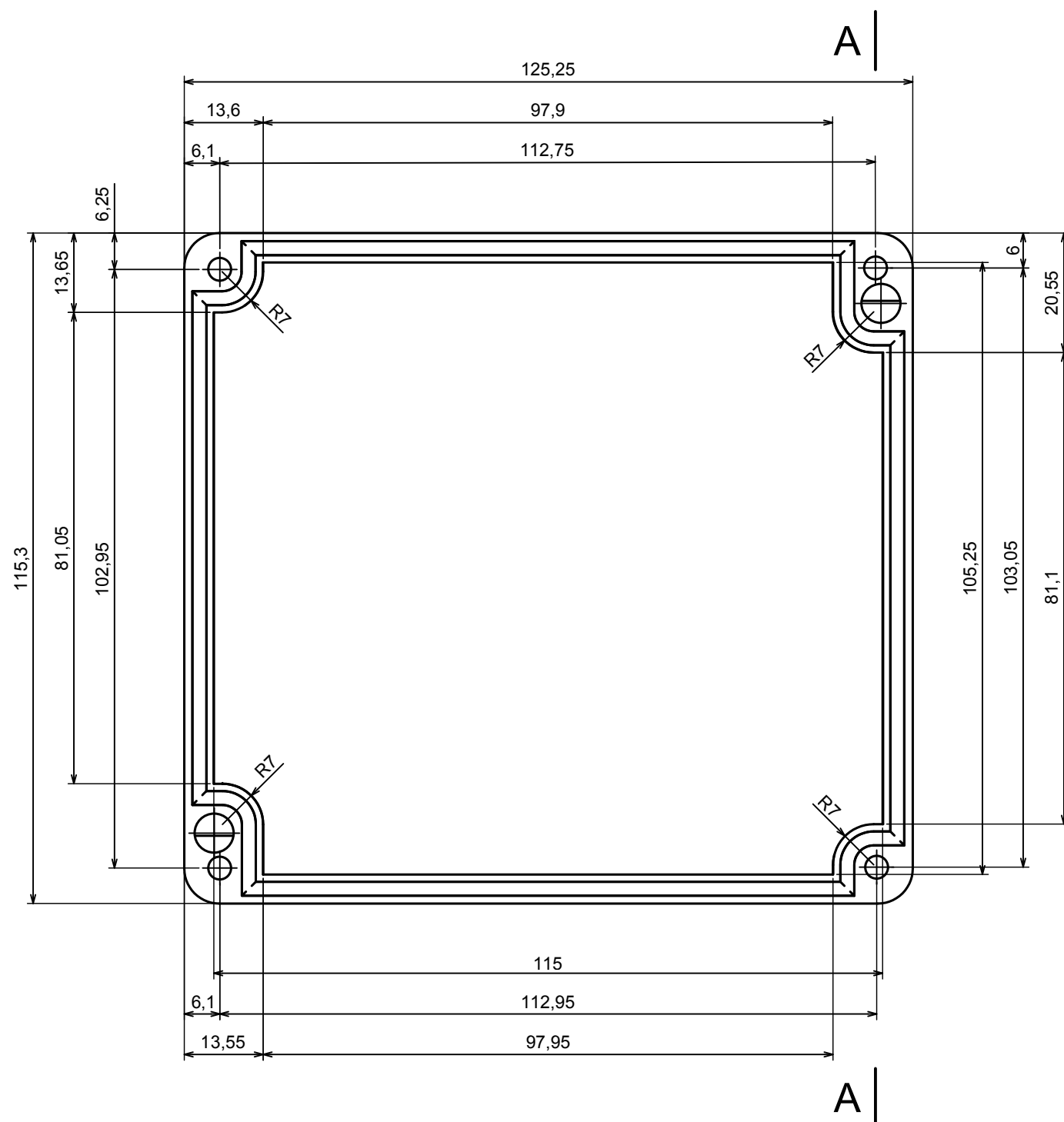
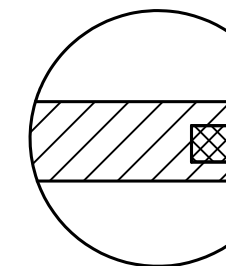


All rights reserved, Copyright Kradox 2016		
Product model	Enclosure Z59S - assembly	
Format: A3	Material: PS, ABS	
Scale 1:1	Tolerance: +/- 0.5	



All rights reserved, Copyright Kradex 2016		
Product model	Enclosure Z59S - base	
Format: A3	Material: PS, ABS	
Scale 1:1	Tolerance: +/- 0.5	

B (2:1)



All rights reserved, Copyright Kradox 2016

Product model: Enclosure Z59S - cover

Format: A3 Material: PS, ABS

Scale 1:1 Tolerance: +/- 0.5

