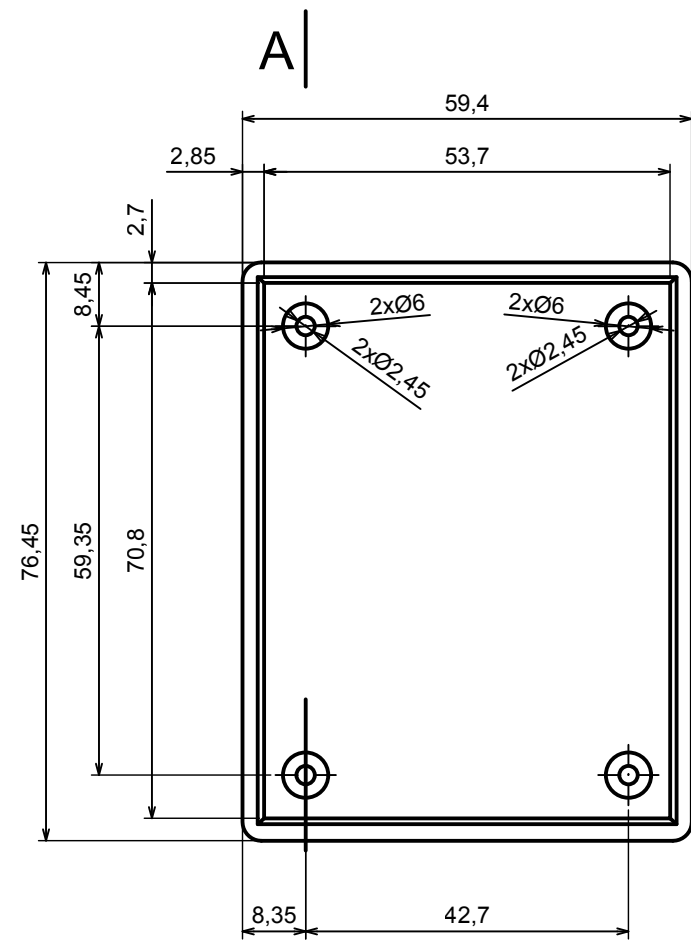
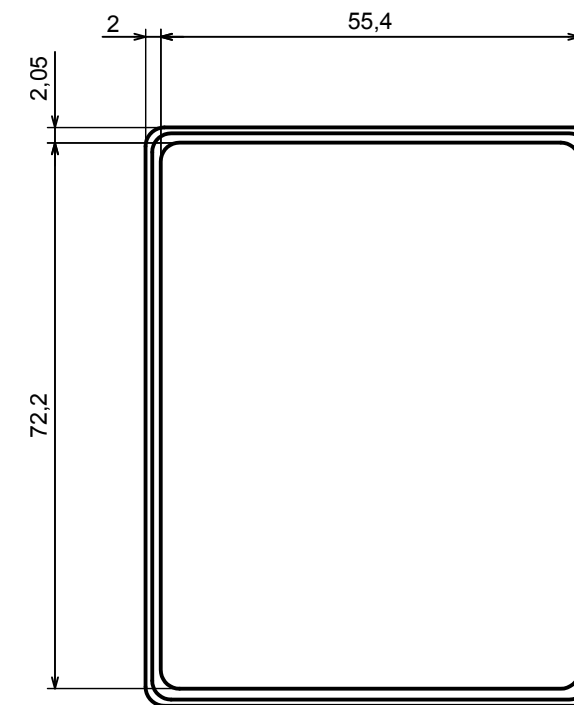
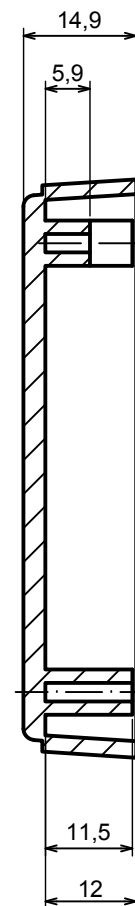



All rights reserved, Copyright Kradox 2017		
Product model	Enclosure Z71U- Assembly	
Format: A3	Material: PS, ABS	
Scale 1:1	Tolerance: +/- 0.6	

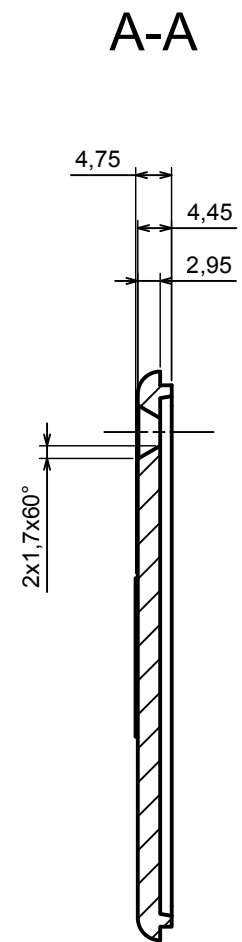
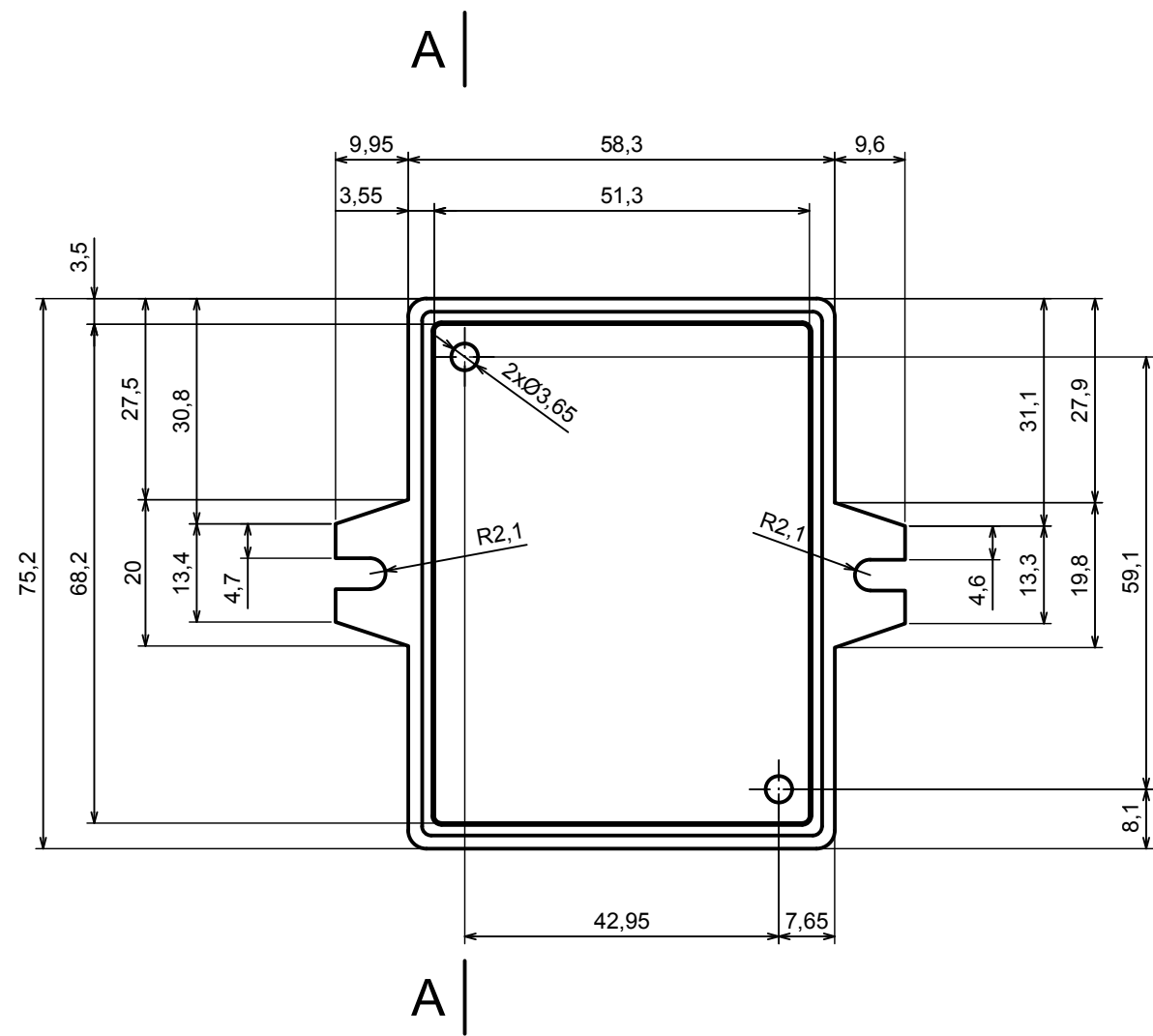



A |

A-A



All rights reserved, Copyright Kradox 2017		
Product model	Enclosure Z71U - Base	
Format: A3	Material: PS, ABS	
Scale 1:1	Tolerance: +/- 0.6	



All rights reserved, Copyright Kradex 2017		
Product model	Enclosure Z71U - Cover	
Format: A3	Material: PS, ABS	
Scale 1:1	Tolerance: +/- 0.6	