

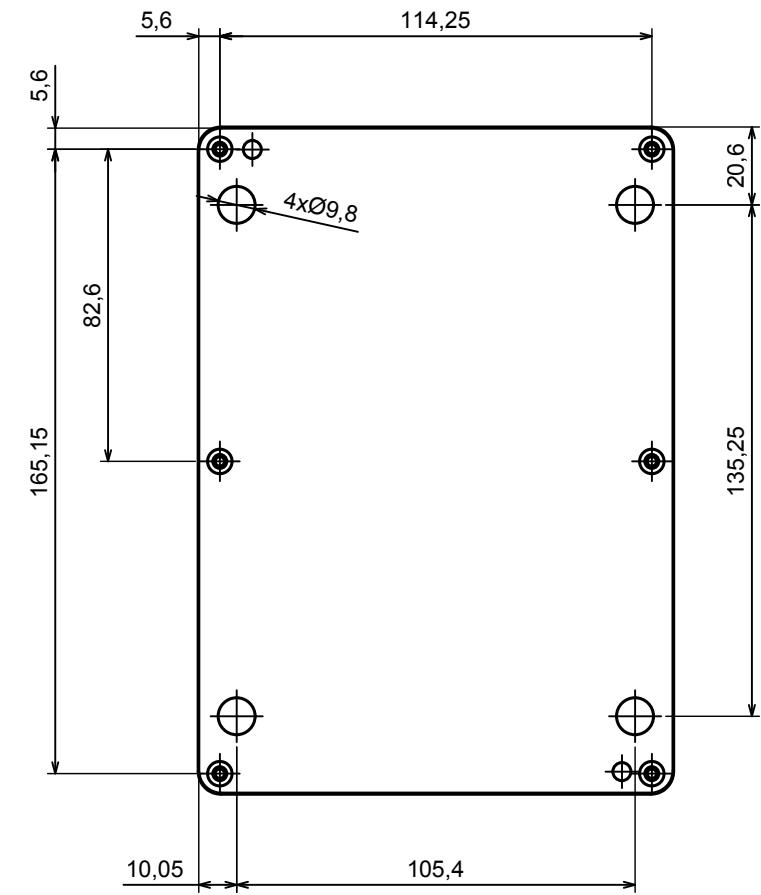
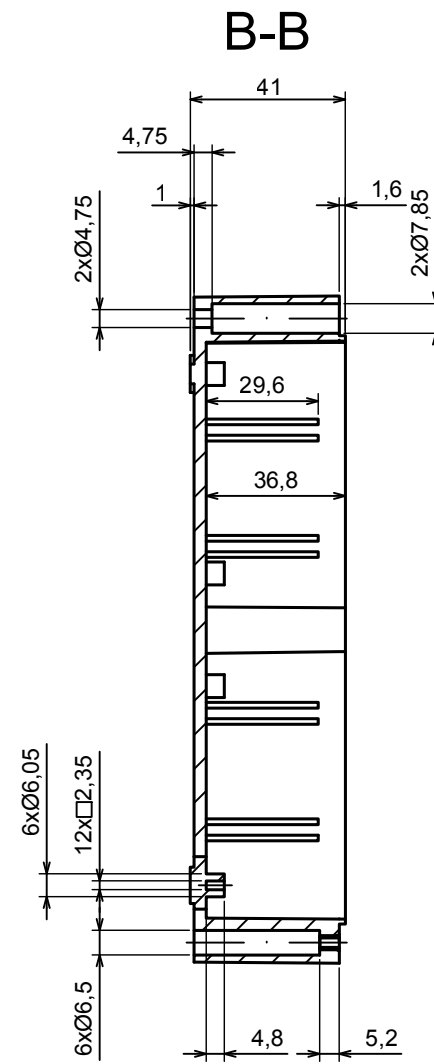
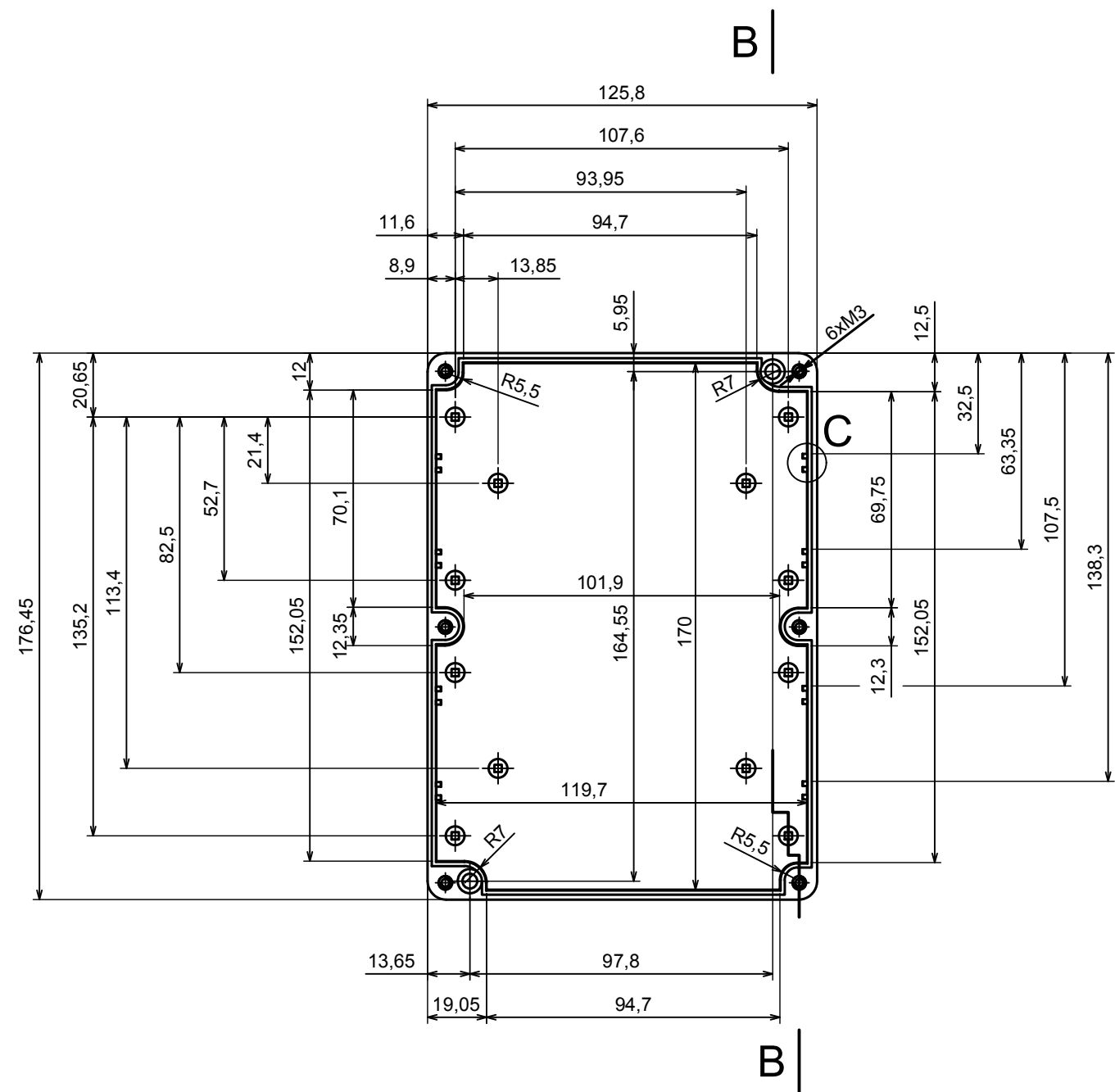
All rights reserved, Copyright Kradox 2016

Product model Enclosure Z74S - assembly

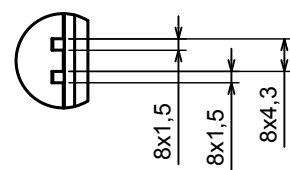
Format: A3 Material: PS, ABS

Scale 1:1 Tolerance: +/- 0.5





C (1:1)



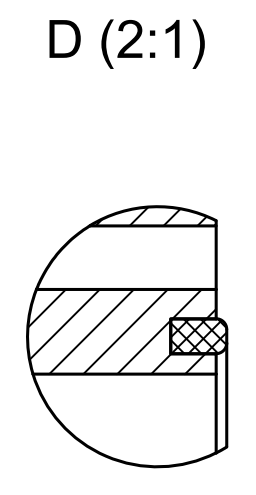
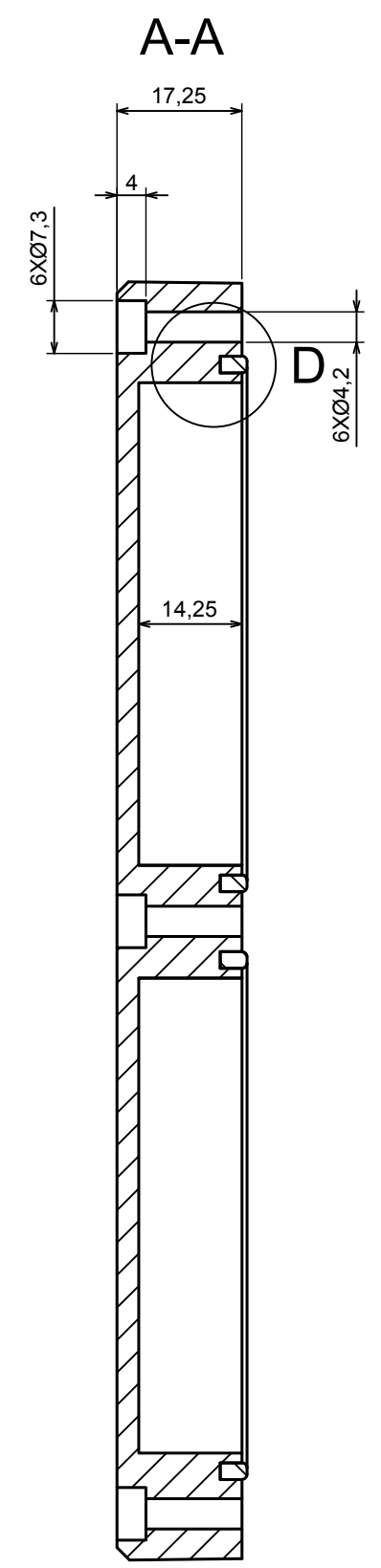
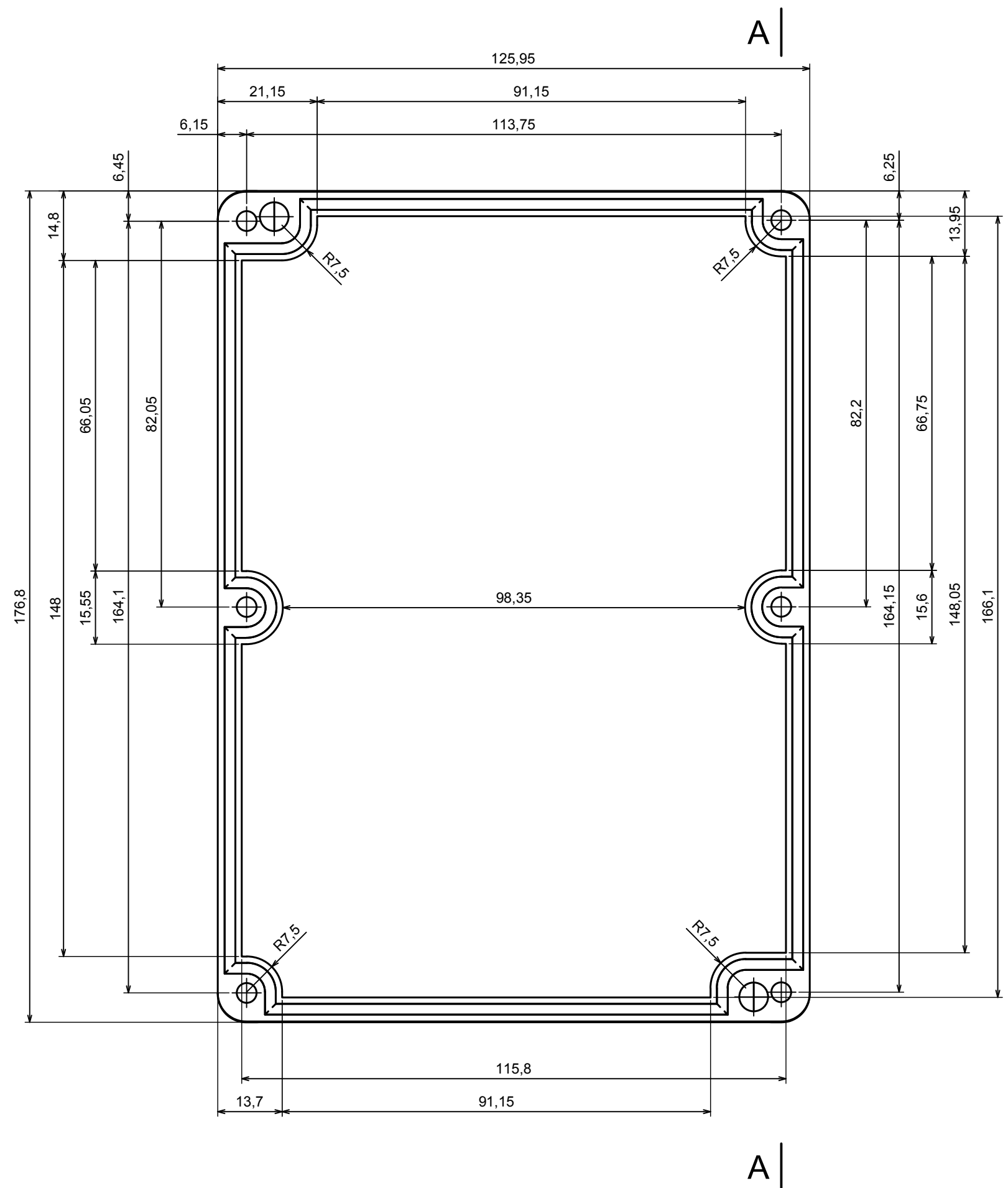
All rights reserved, Copyright Kradox 2016

Product model Enclosure Z74S - base

Format: A3 Material: PS, ABS

Scale 1:2 Tolerance: +/- 0.5





All rights reserved, Copyright Kradox 2016	
Product model	Enclosure Z74S - cover
Format: A3	Material: PS, ABS
Scale 1:1	Tolerance: +/- 0.5

