
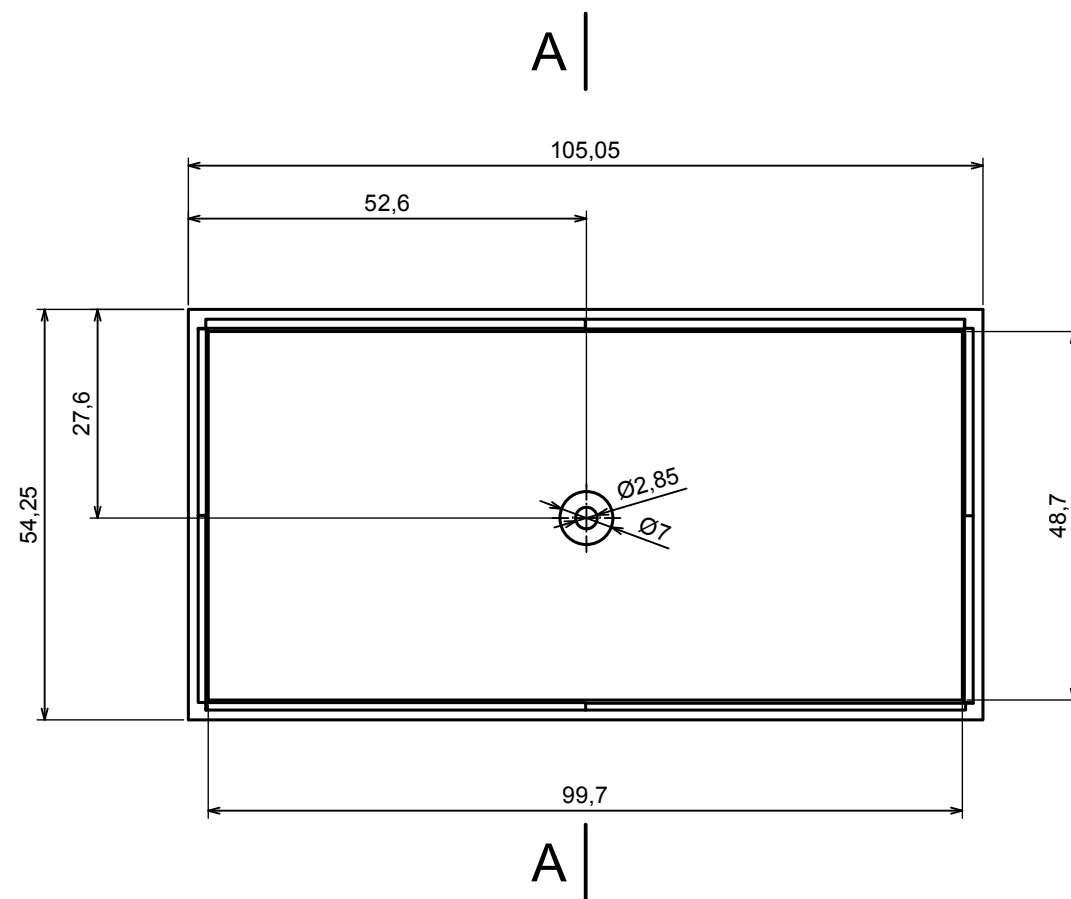



| | | |
|--|--------------------------|---|
| All rights reserved, Copyright Kradox 2016 | | |
| Product model | Enclosure Z7B - assembly | |
| Format: A3 | Material: PS, ABS |  |
| Scale 1:1 | Tolerance: +/- 0.5 | |



| | | |
|--|------------------------------|---|
| All rights reserved, Copyright Kradox 2016 | | |
| Product model | Enclosure Z7B - base / cover | |
| Format: A3 | Material: PS, ABS |  |
| Scale 1:1 | Tolerance: +/- 0.5 | |