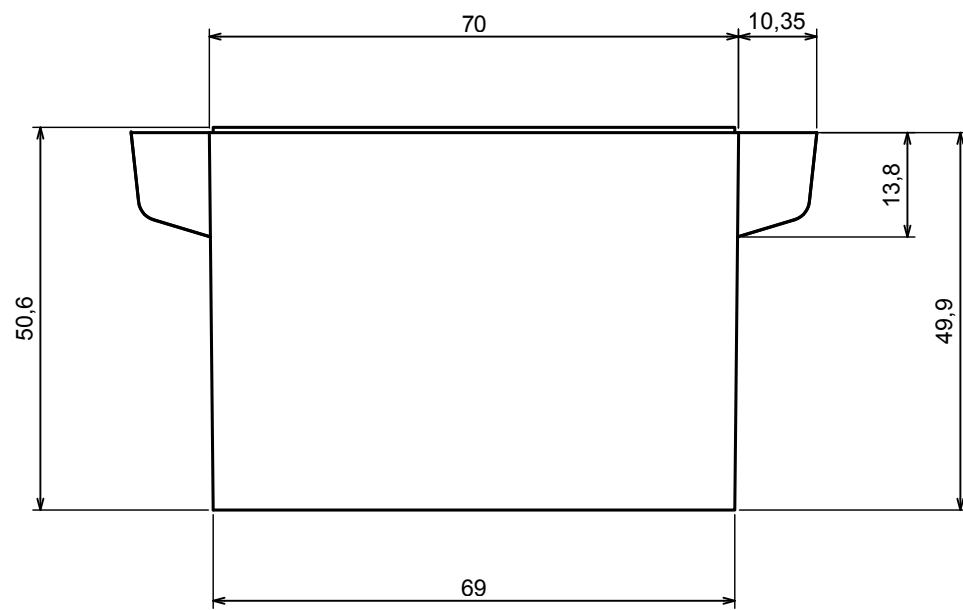
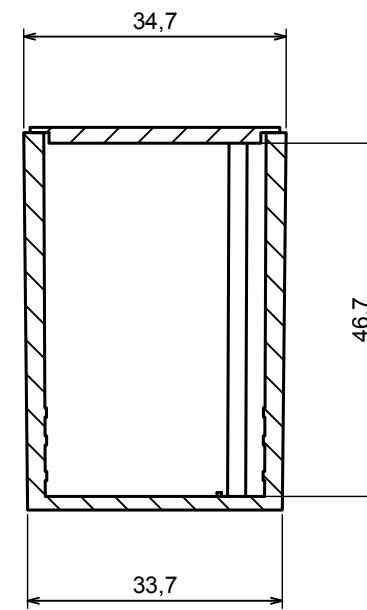


A |

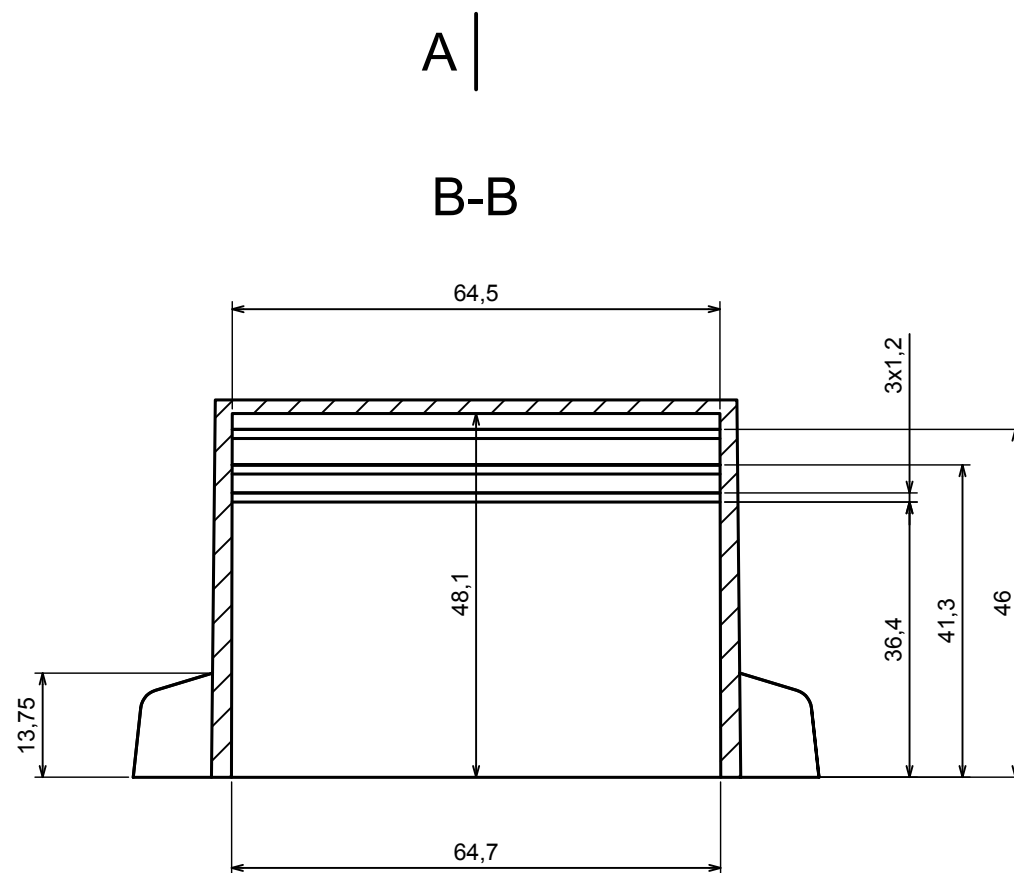
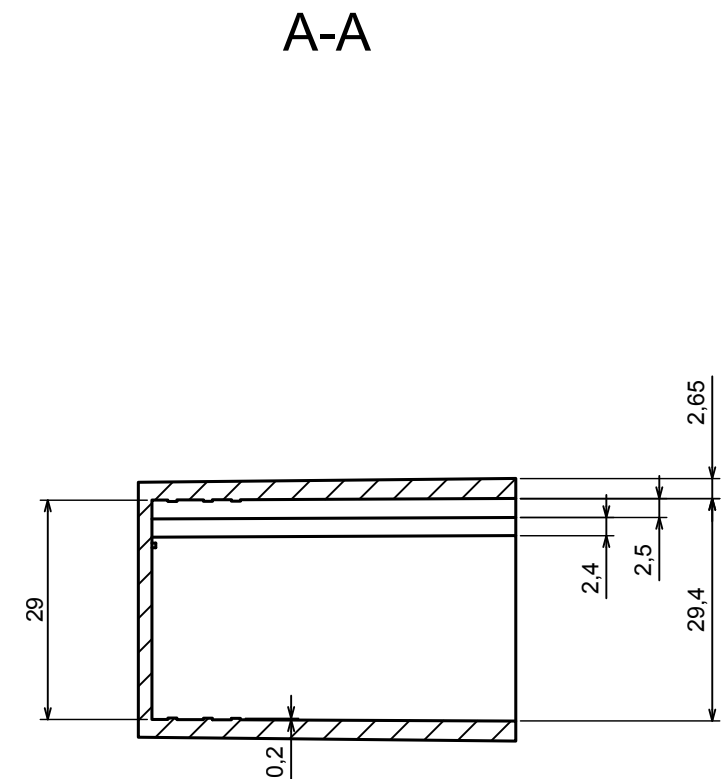
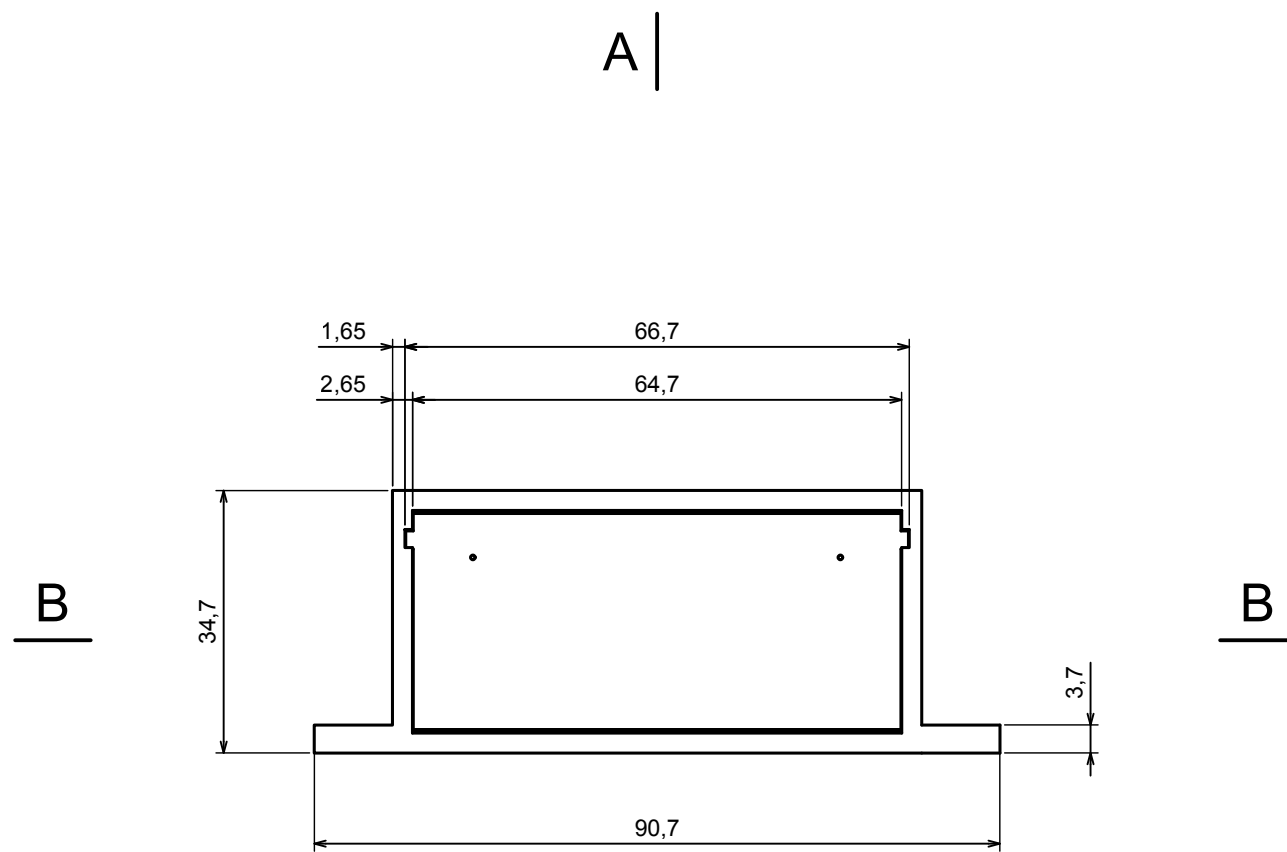



A |

A-A

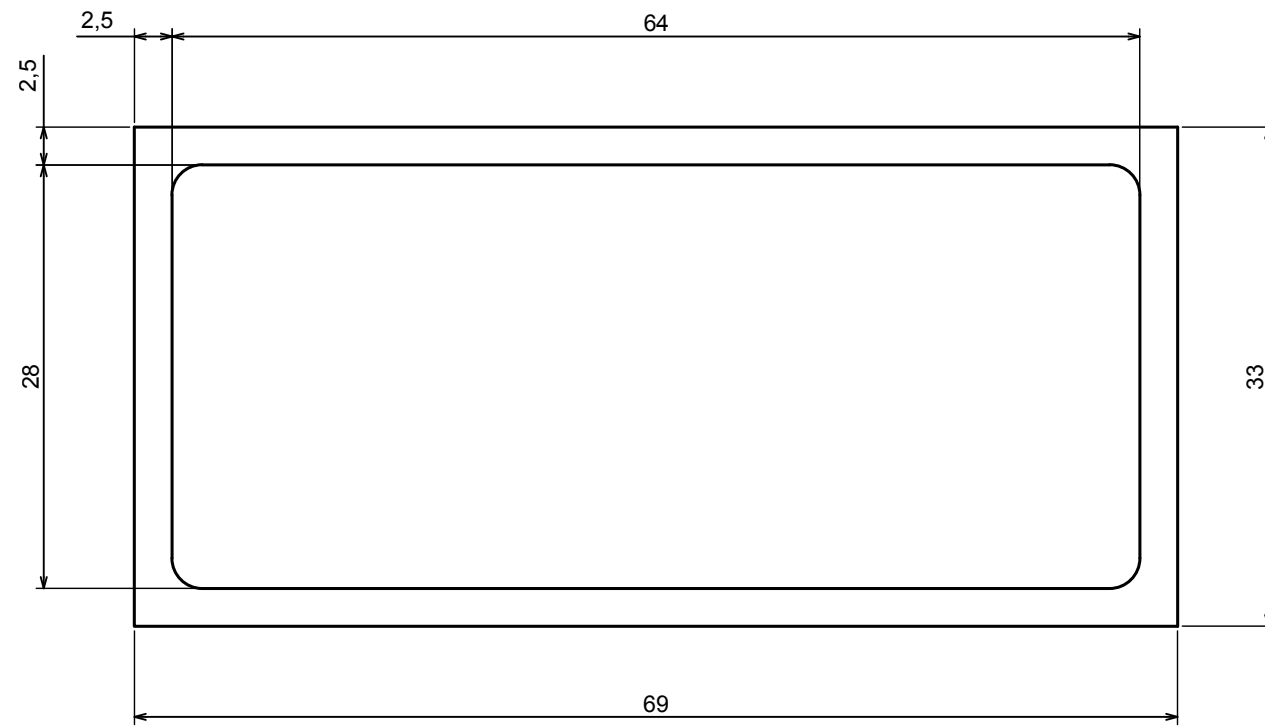


| | | |
|--|--------------------------|--|
| All rights reserved, Copyright Kradox 2017 | | |
| Product model | Enclosure Z8U - Assembly | |
| Format: A3 | Material: PS, ABS | |
| Scale 1:1 | Tolerance: +/- 0.5 | |

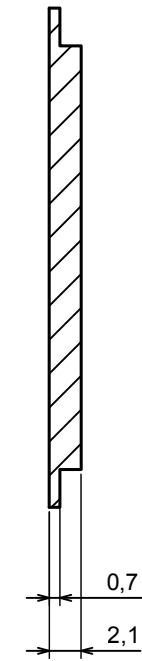


| | | |
|--|----------------------|---|
| All rights reserved, Copyright Kradex 2017 | | |
| Product model | Enclosure Z8U - Base | |
| Format: A3 | Material: PS, ABS |  |
| Scale 1:1 | Tolerance: +/- 0.5 | |

A |



A-A



A |

| | | |
|--|-----------------------|--|
| All rights reserved, Copyright Kradex 2017 | | |
| Product model | Enclosure Z8U - Cover | |
| Format: A3 | Material: PS, ABS | |
| Scale 2:1 | Tolerance: +/- 0.5 | |