
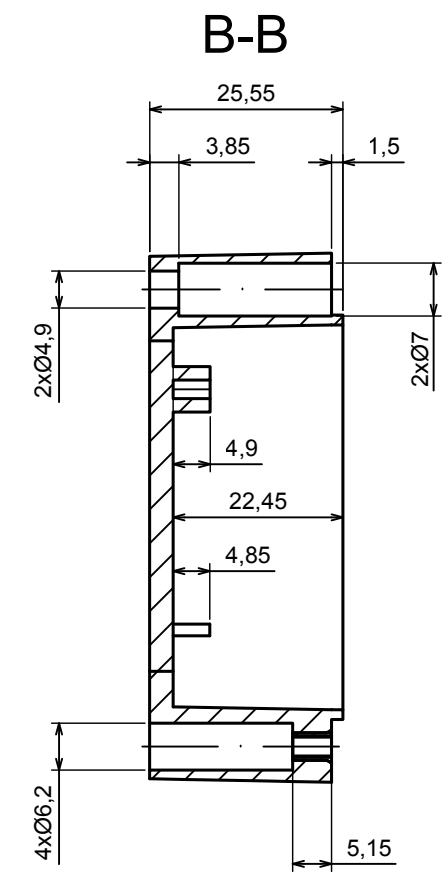
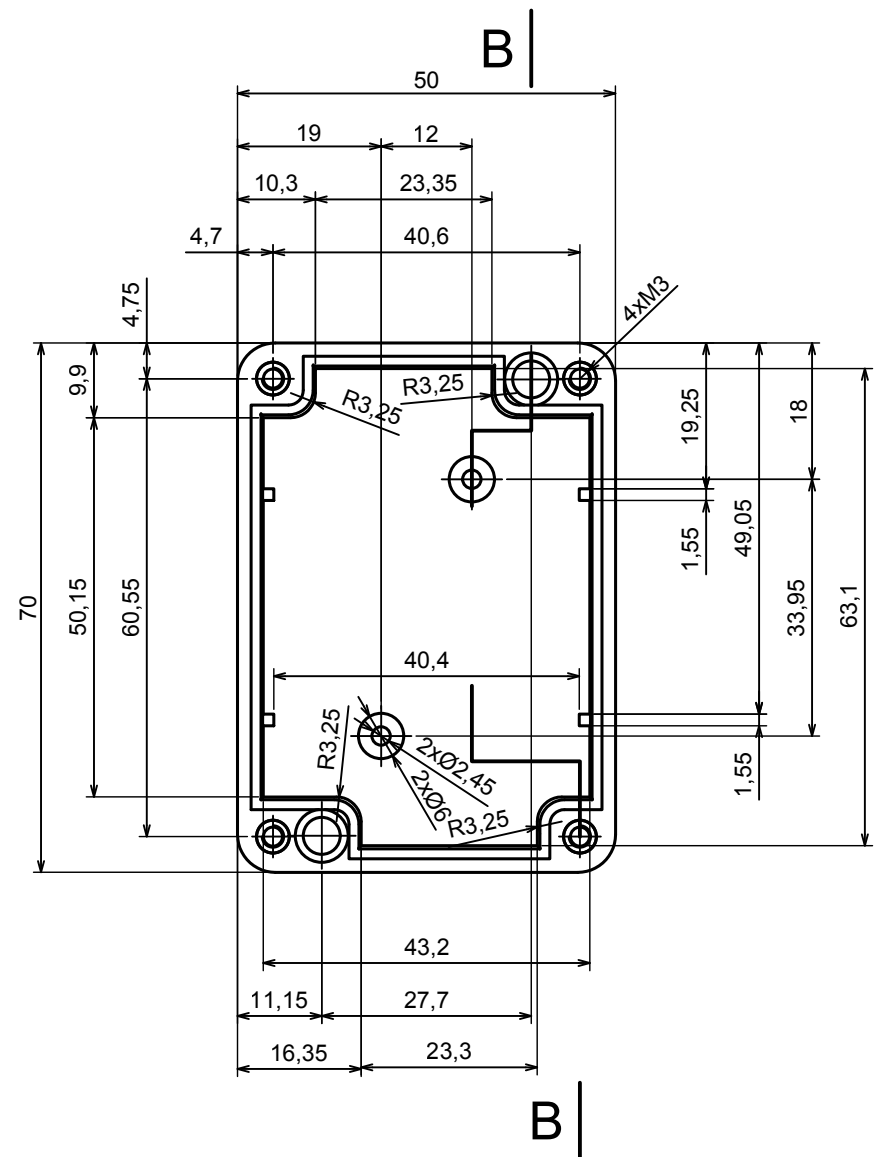

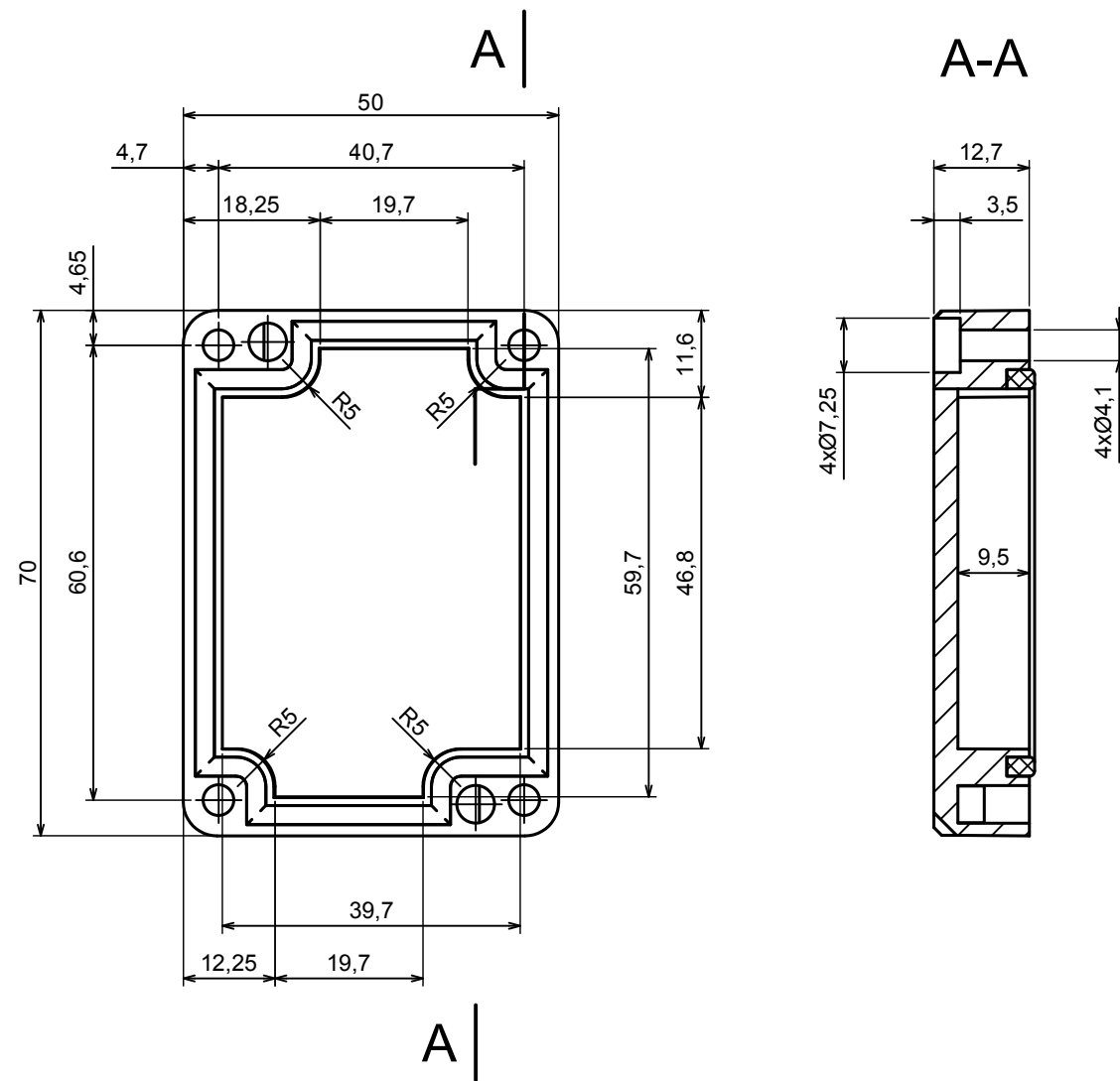


All rights reserved, Copyright Kradox 2016		
Product model	Enclosure Z96S - assembly	
Format: A3	Material: PS, ABS	
Scale 1:1	Tolerance: +/- 0.2	



All rights reserved, Copyright Kradox 2016		
Product model	Enclosure Z96S - base	
Format: A3	Material: PS, ABS	
Scale 1:1	Tolerance: +/- 0.2	



All rights reserved, Copyright Kradox 2016	
Product model	Enclosure Z96S - cover
Format: A3	Material: PS, ABS
Scale 1:1	Tolerance: +/- 0.2

