

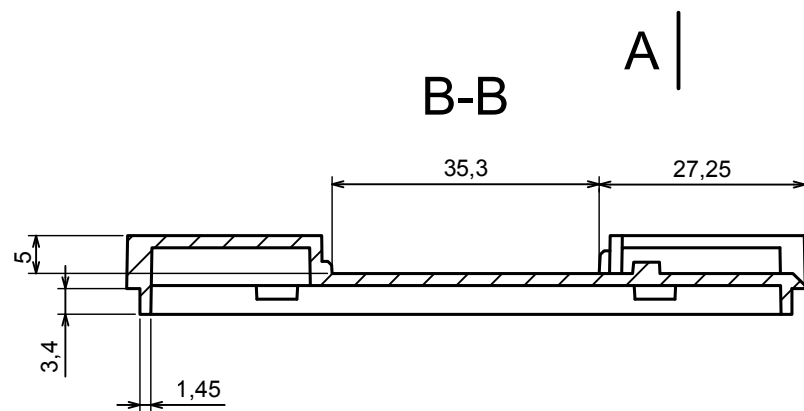
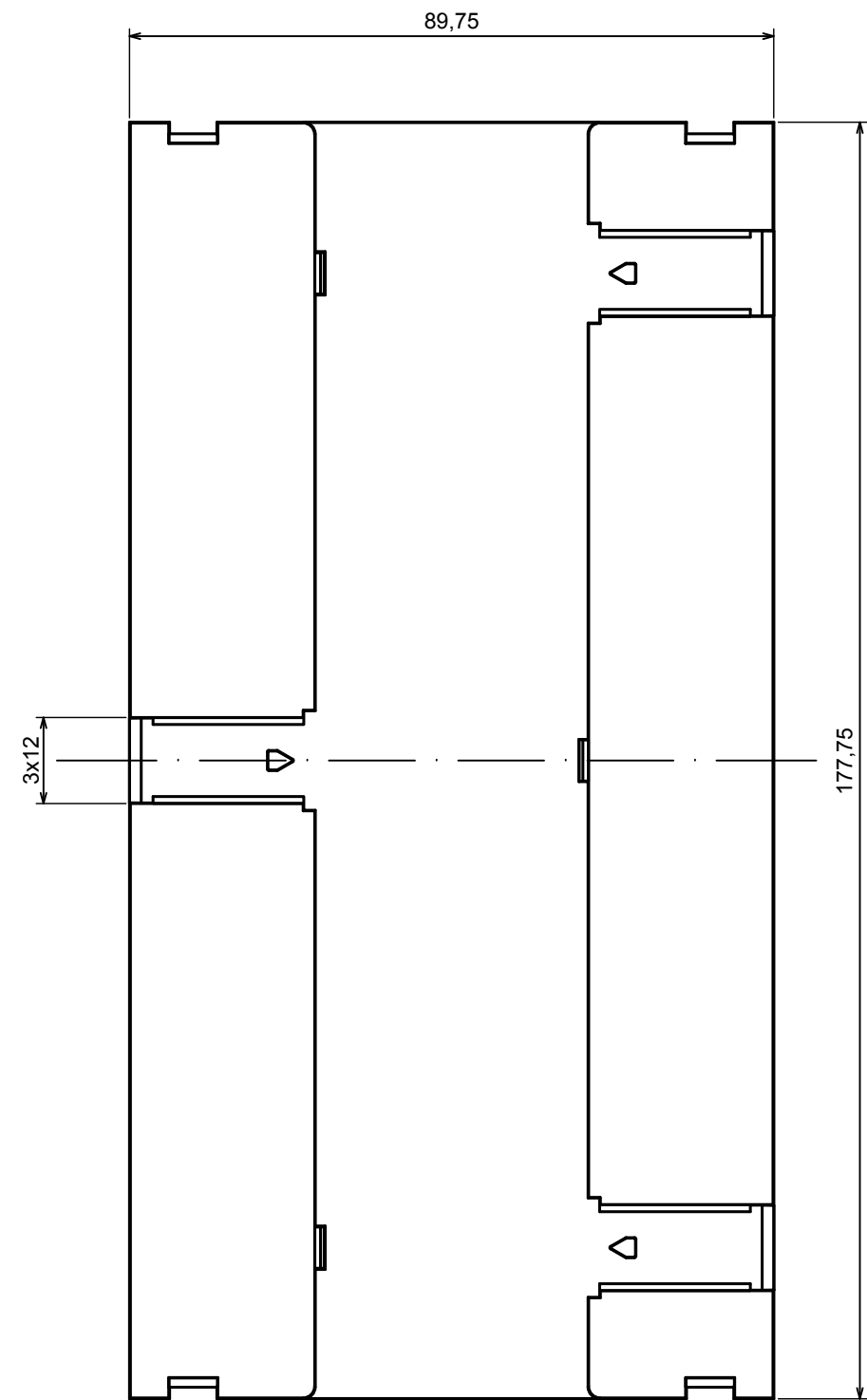
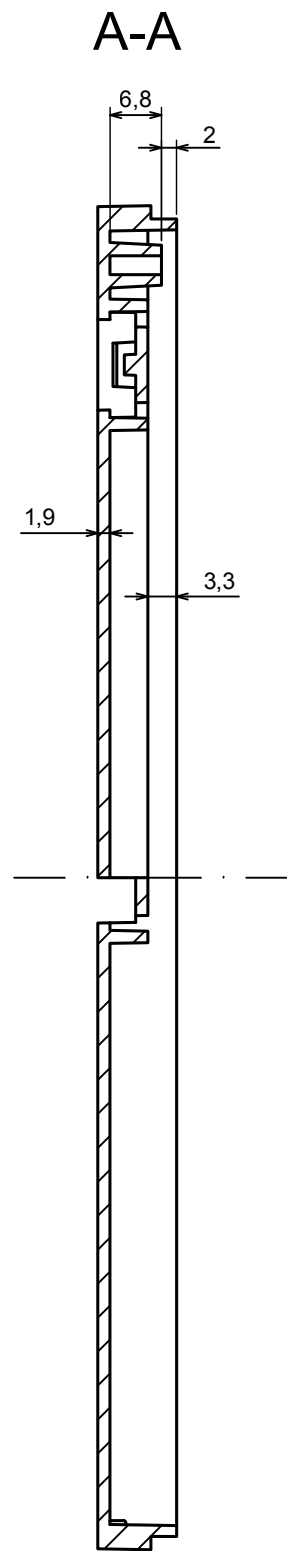
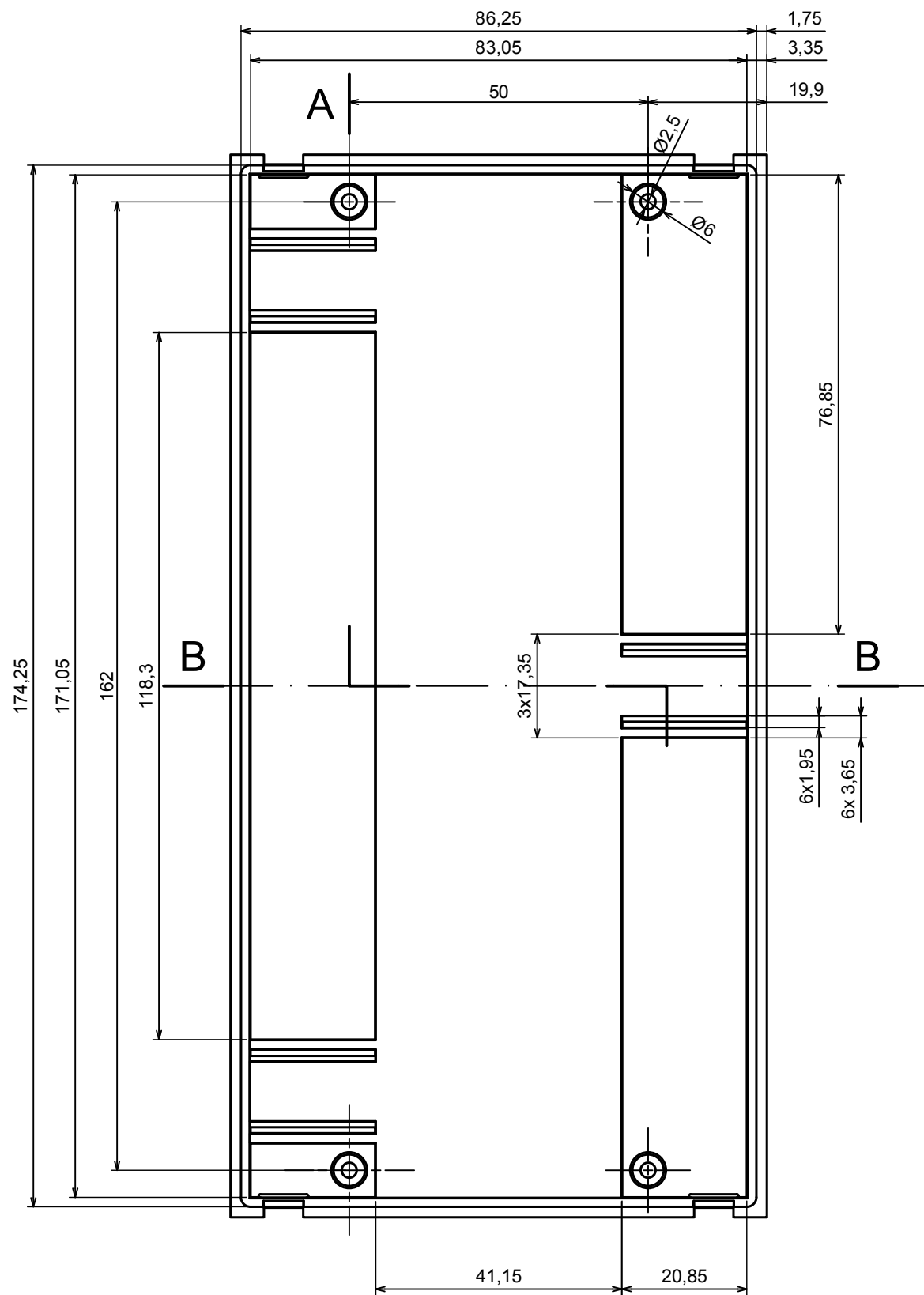
All rights reserved. Copyright Kradox 2018

Product model: Enclosure ZD1010 - Assembly

Format: A3 Material: ABS V0

Scale 1:1 Tolerance: +/- 0,5





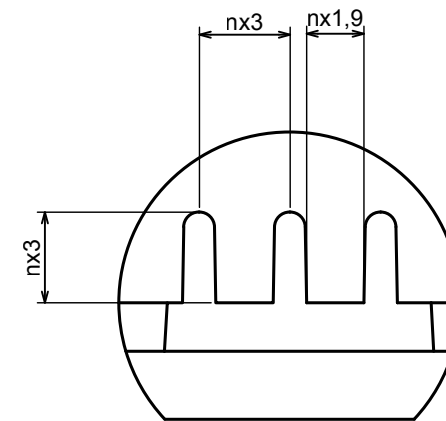
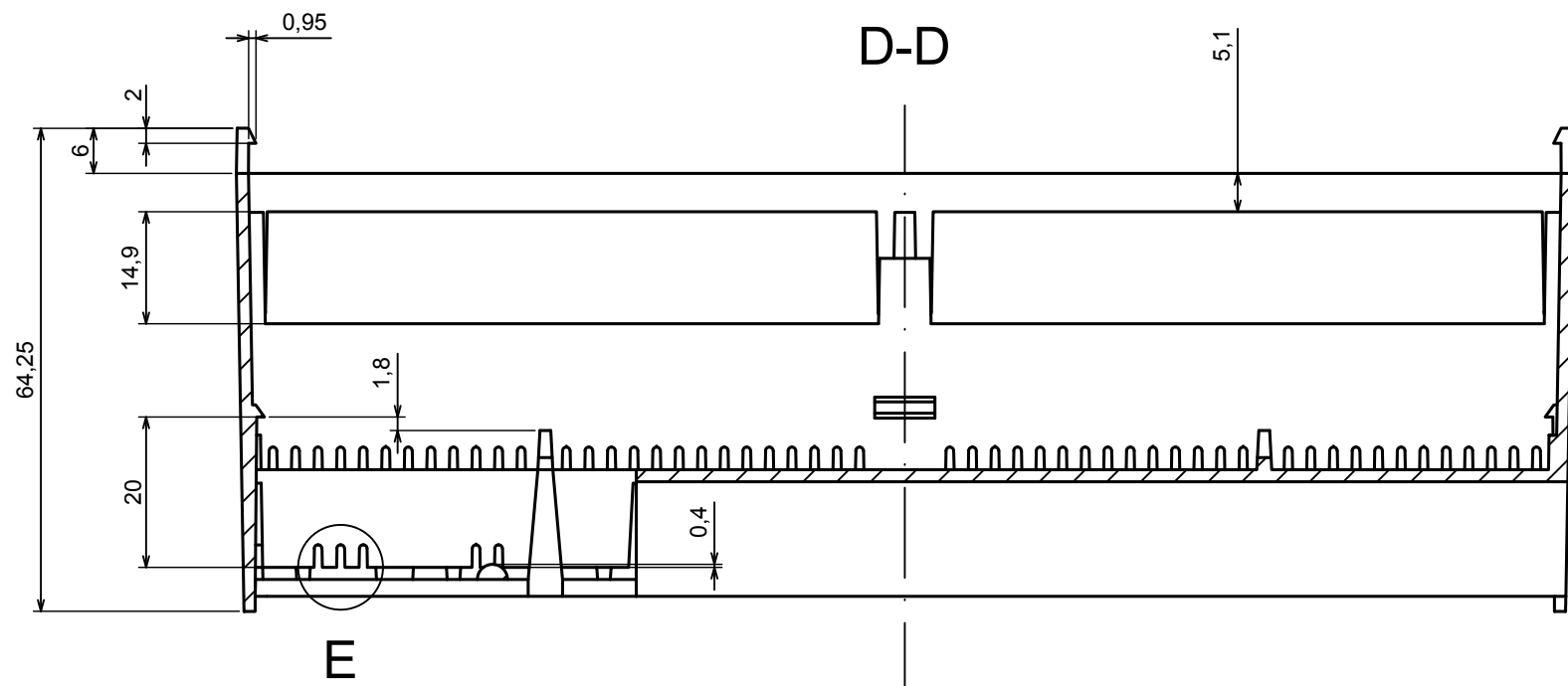
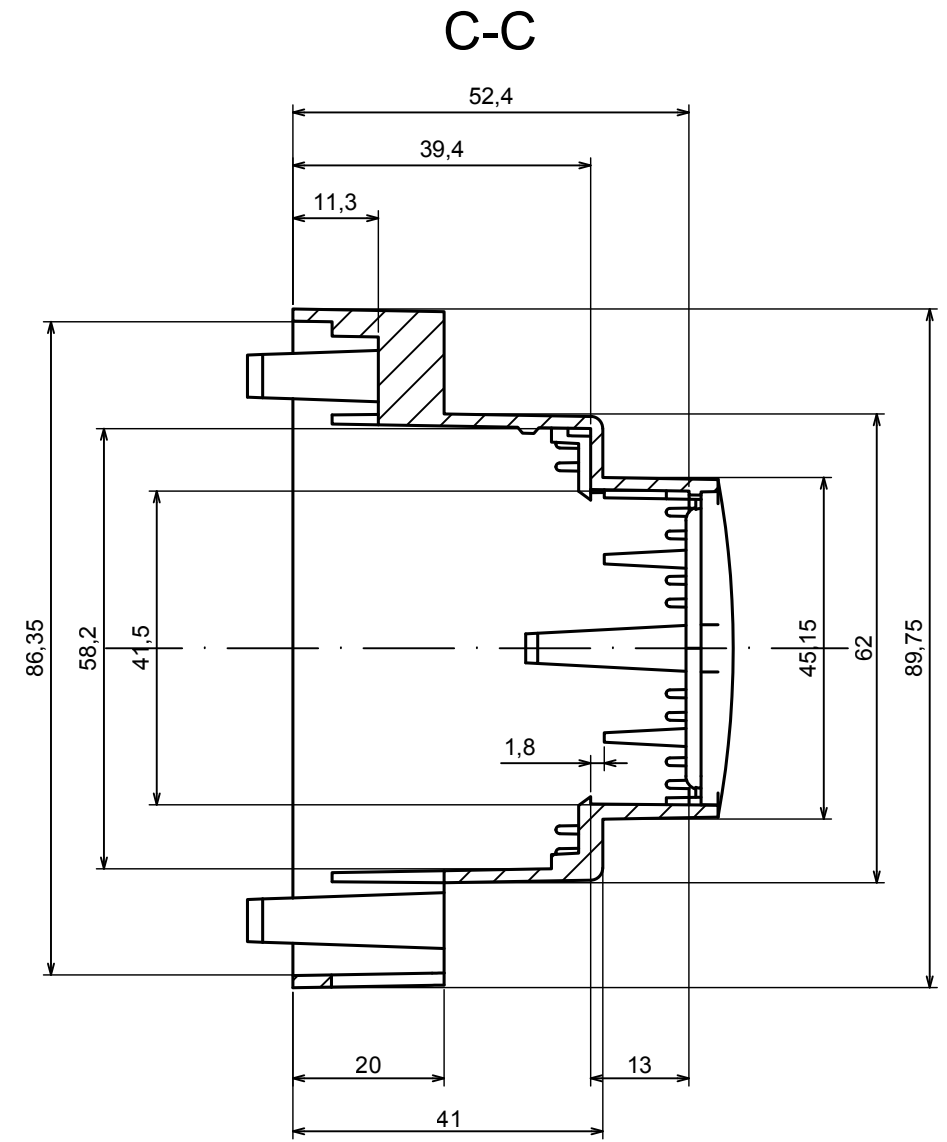
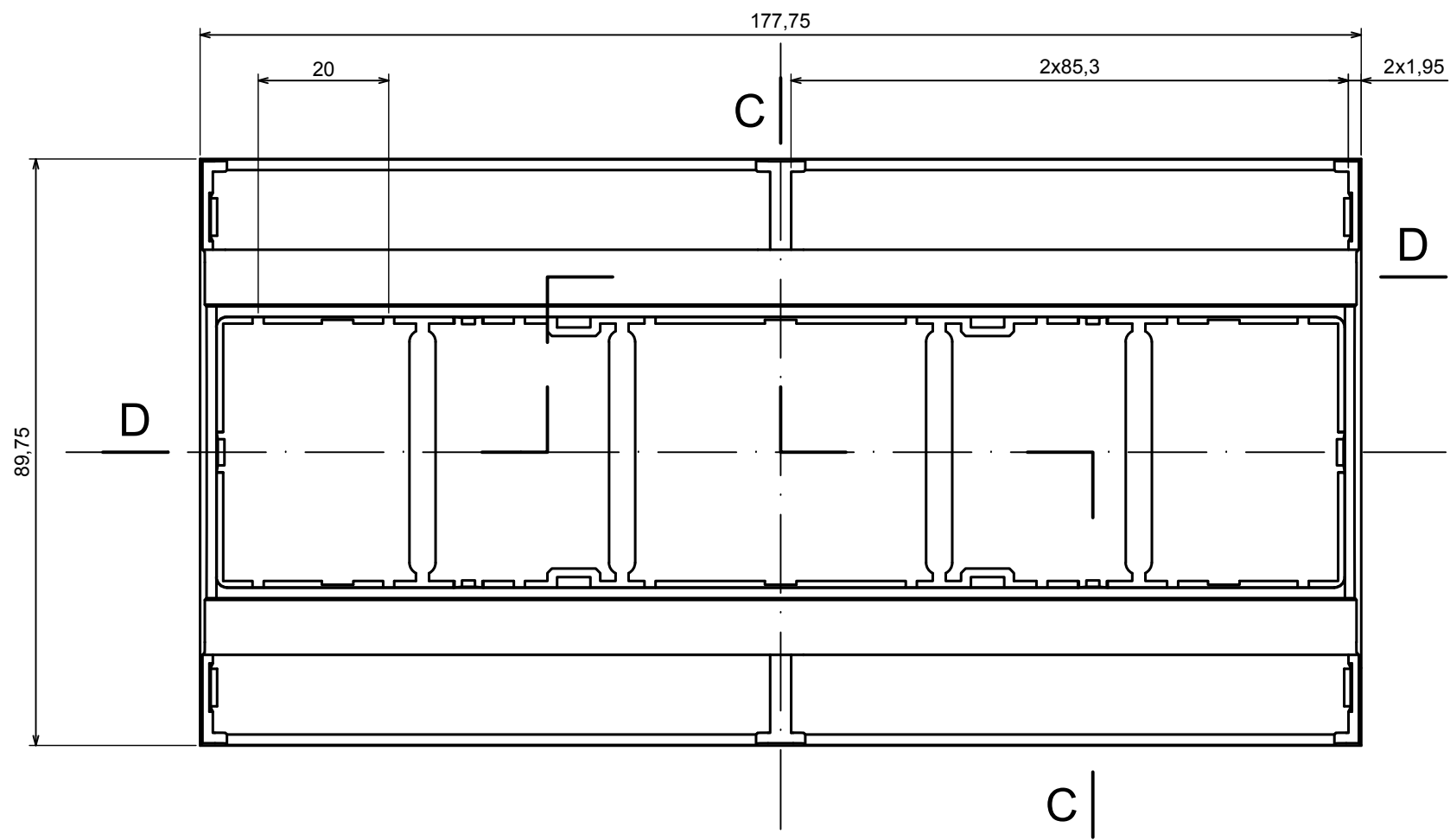
All rights reserved. Copyright Kradox 2018

Product model Enclosure ZD1010 - Base

Format: A3 Material: ABS V0

Scale 1:1 Tolerance: +/- 0,5

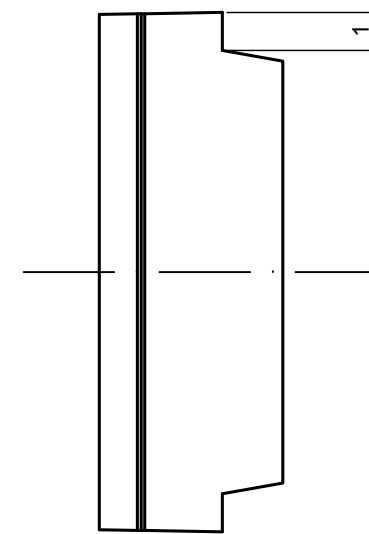
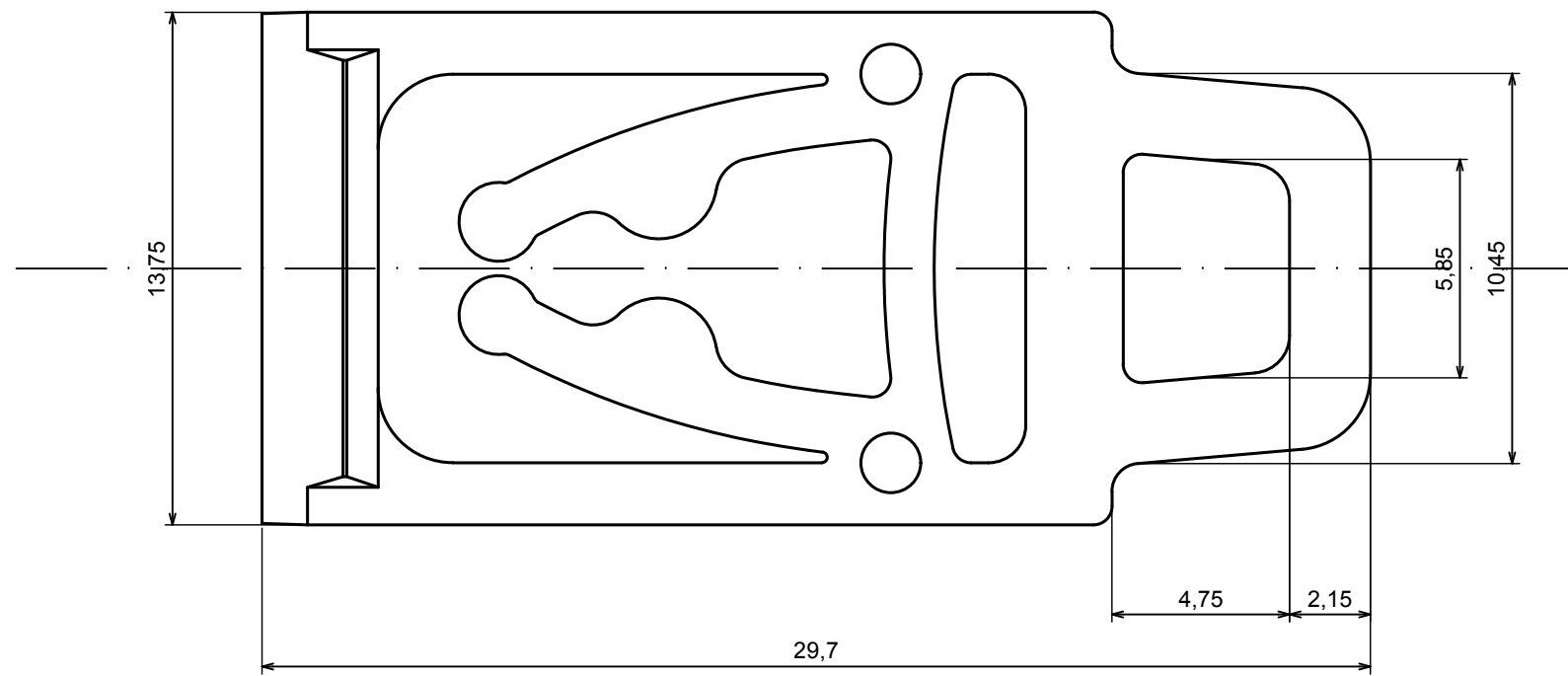
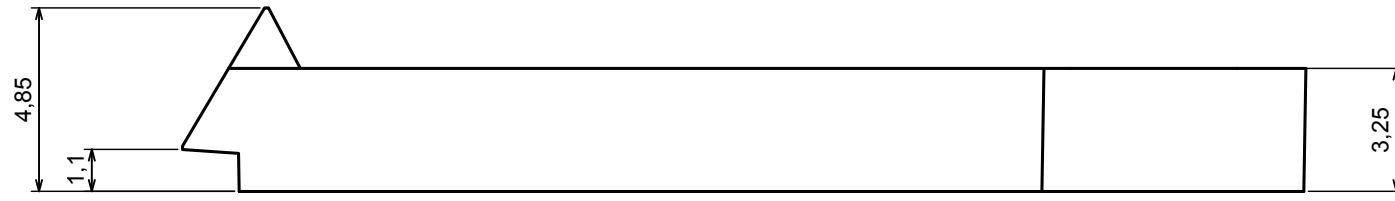




E (4.0000)

All rights reserved. Copyright Kradox 2018	
Product model	Enclosure ZD1010 - Cover
Format: A3	Material: ABS V0
Scale 1:1	Tolerance: +/- 0,3





All rights reserved. Copyright Kradox 2018

Product model Enclosure ZD1010 - Hook

Format: A3 Material: ABS V0

Scale 5:1 Tolerance: +/- 0,5

