
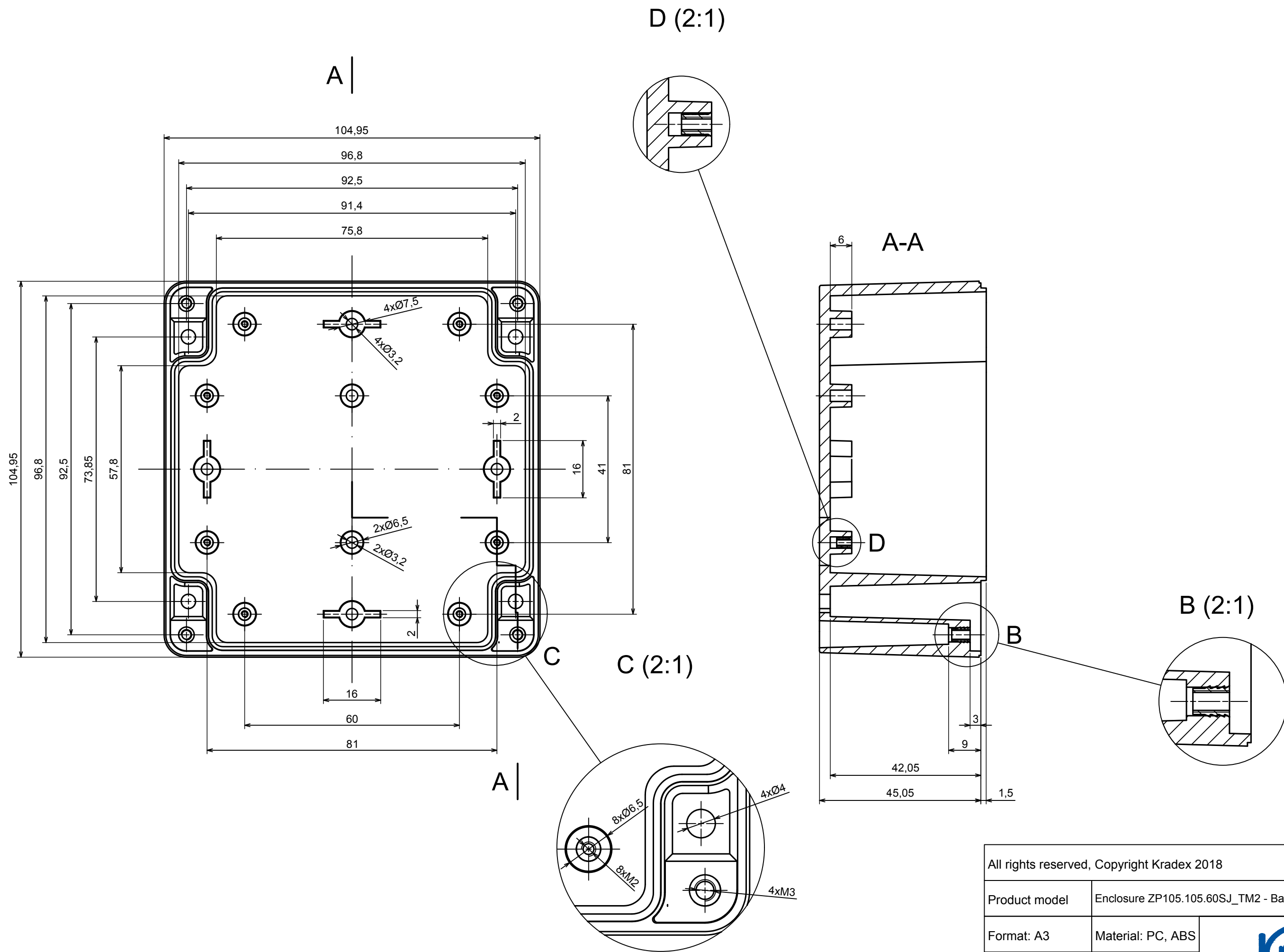


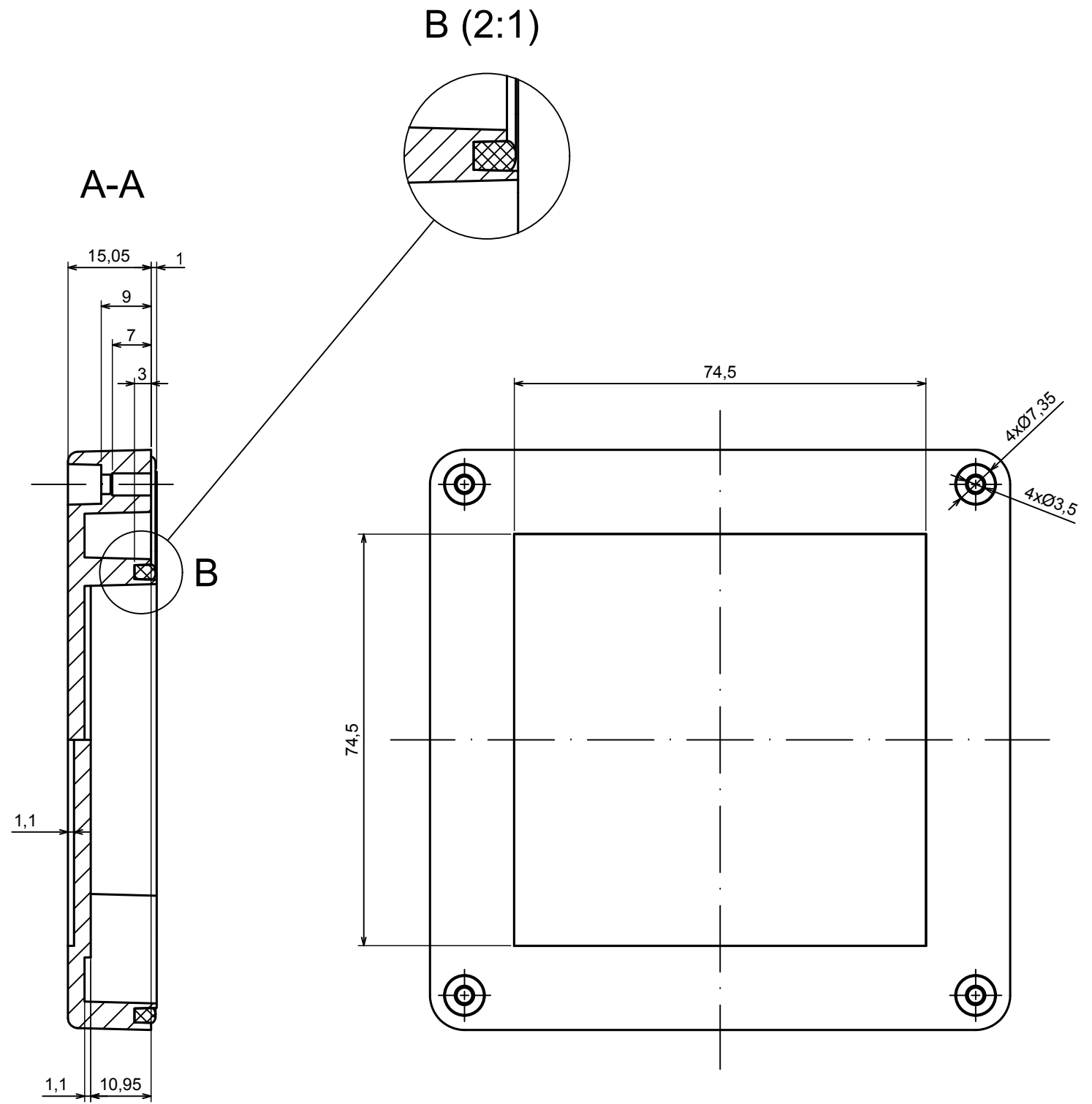
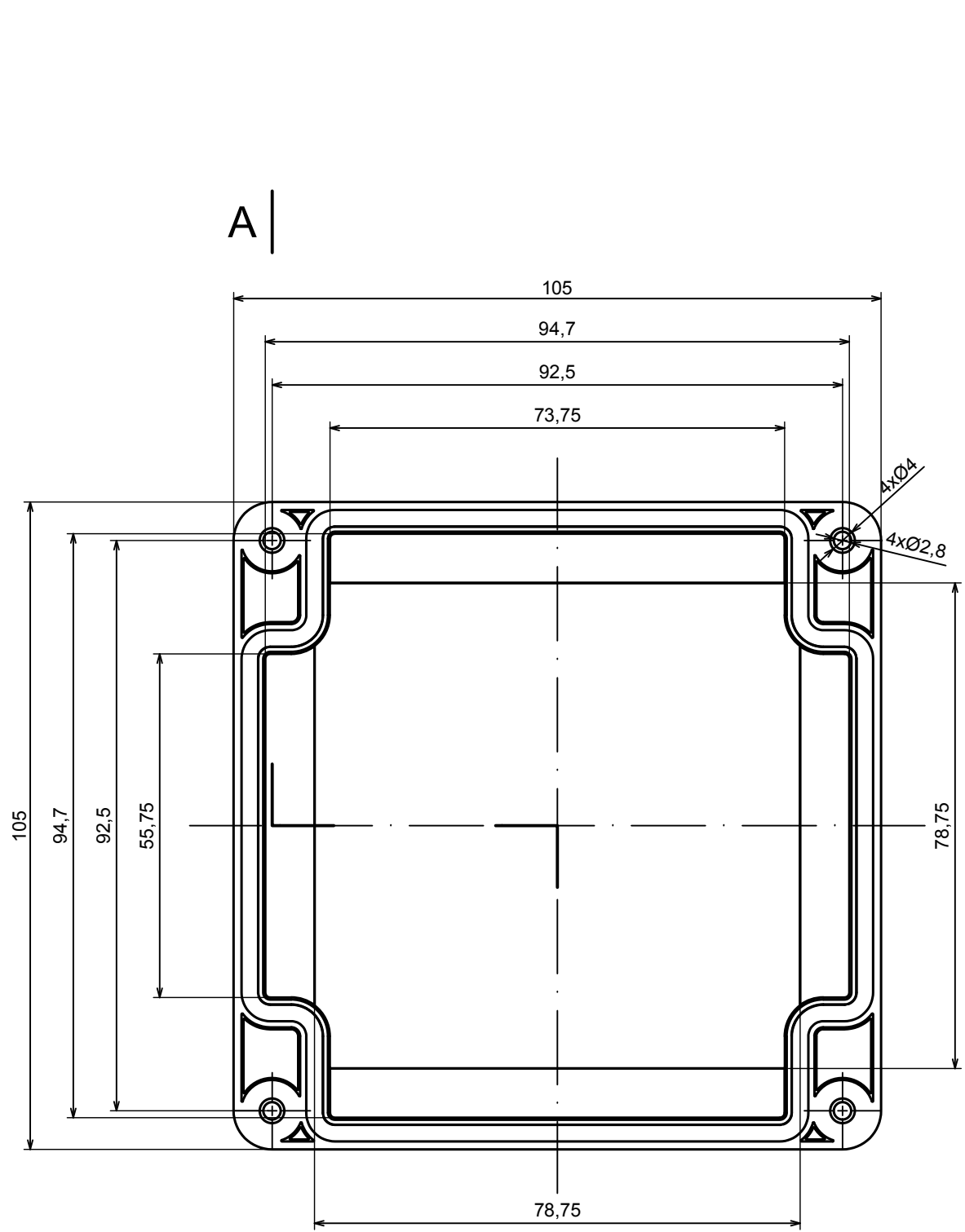
A |

All rights reserved, Copyright Kradox 2018		
Product model	Enclosure ZP105.105.60SJ_TM2 - Assembly	
Format: A3	Material: PC, ABS	
Scale 1:1	Tolerance: +/- 0.6	



All rights reserved, Copyright Kradox 2018	
Product model	Enclosure ZP105.105.60SJ_TM2 - Base ZP105.105.45J_TM2
Format: A3	Material: PC, ABS
Scale 1:1	Tolerance: +/- 0.6





A |

All rights reserved, Copyright Kradox 2018	
Product model	Enclosure ZP105.105.60SJ_TM2 - Cover PZ105.105.15SJ
Format: A3	Material: PC, ABS
Scale 1:1	Tolerance: +/- 0.6

