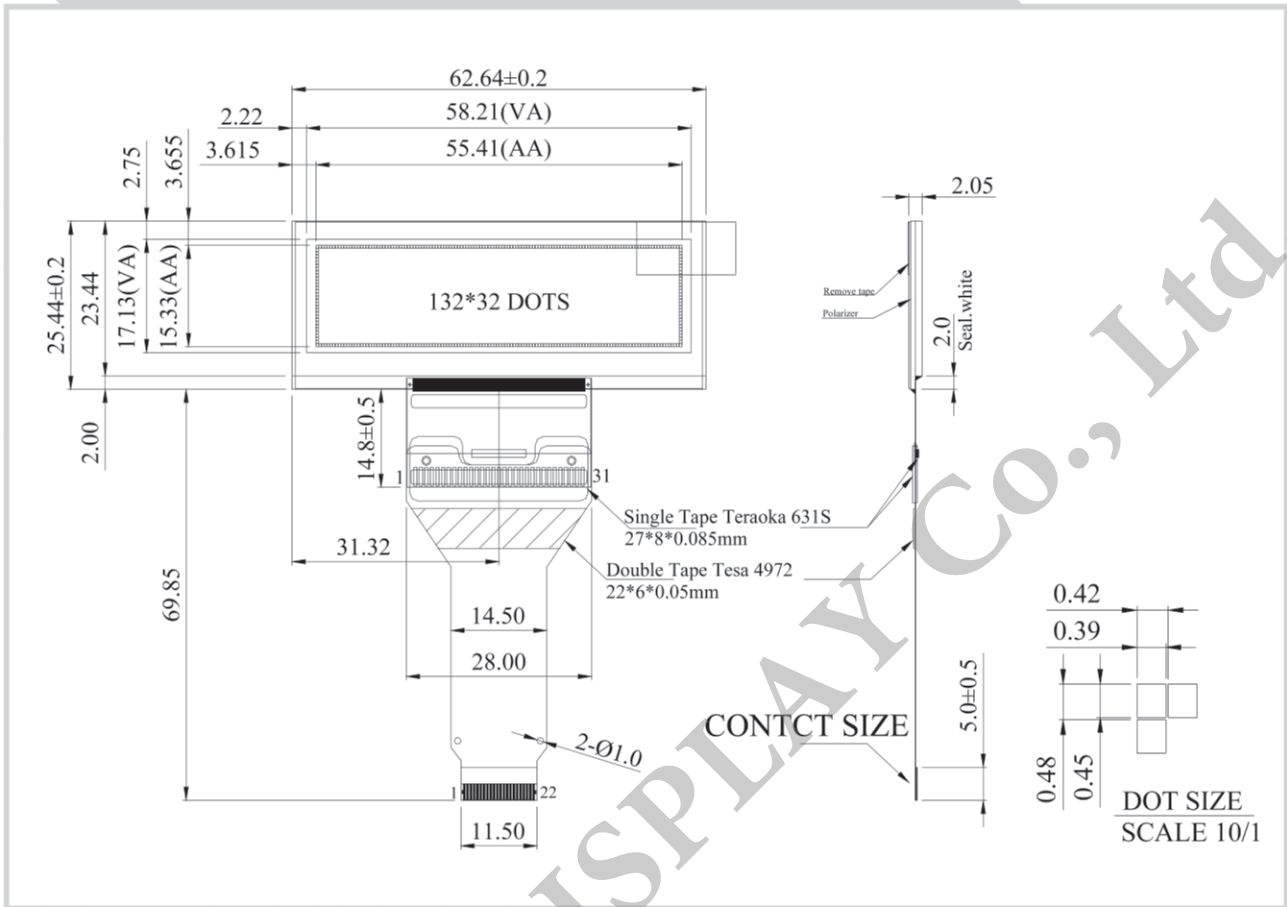


## WEX013232B OLED Graphic 132x32 dots



### Feature

- 132\*32 Dot Matrix
- Built-in controller SSD1305ZT7R1
- 3V Power supply
- 1/32 duty
- Interface: 8080 option6800, SPI
- Polarizer optional

Pin No.	Symbol	Description
1	VCC	Panel driving voltage
2	VCOMH	COM deselected level
3	IREF	SEG output current refer pin
4~11	D7~D0	Data Bus
12	E/RD#	Chip Enable Signal
13	R/W#	Read/Write Control
14	D/C#	Data/Command Control Pin
15	RES#	Reset Signal Pin
16	CS#	Chip Select Pin
17	BS2	Interface selection
18	BS1	Interface selection
19	VDD	Voltage for logic
20	NC	No Connection
21	VSS	Ground Pin
22	VSS	Ground Pin

### Mechanical Data

Item	Standard Value	Unit
Module Dimension	62.64 x 25.44	mm
Viewing Area	58.21 x 17.13	mm
Active Area	55.41 x 15.33	mm
Dot Pitch	0.42 x 0.48	mm
Dot Size	0.39 x 0.45	mm

### Electrical Characteristics

Item	Symbol	Condition	Standard Value			Unit
			min.	typ.	max.	
Input Voltage	VDD	---	2.8	3.0	3.3	V