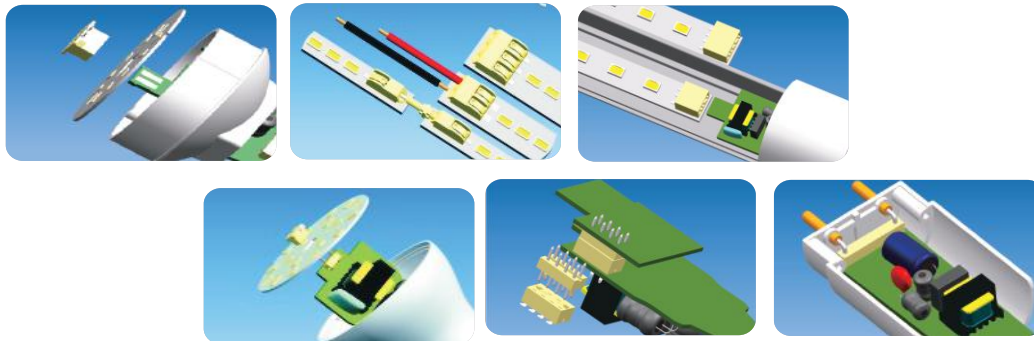


RADIOTECH | Led Connectors And Accessories

www.rct.ru

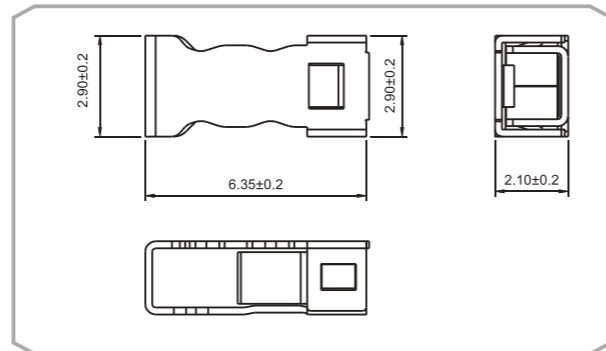


LLC «RADIOTECH-LOGISTIC»

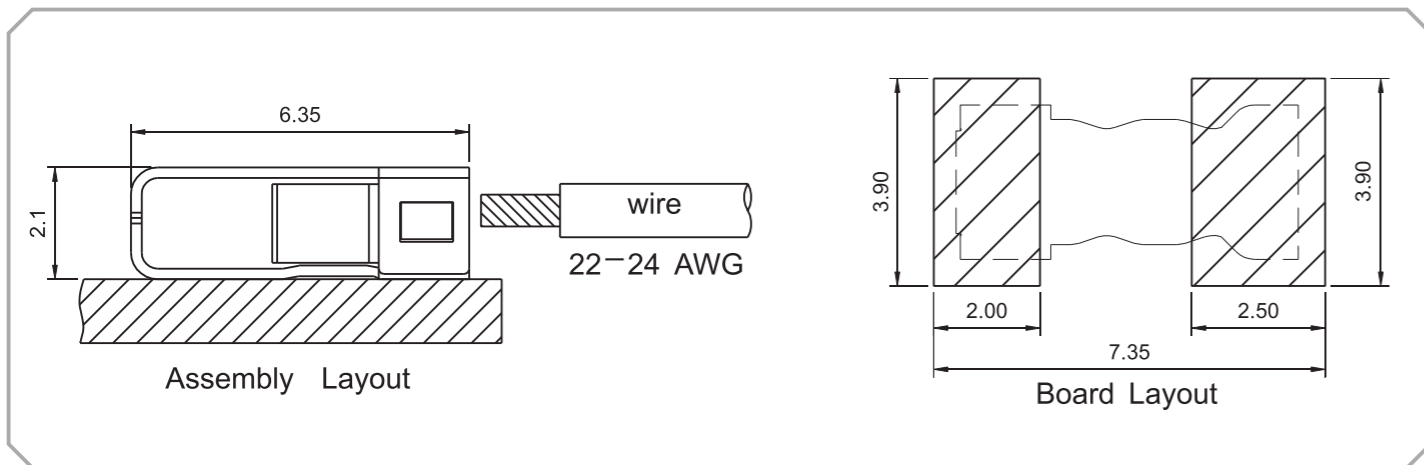


[技术参数] SPECIFICATION

- 线 数 [Poles]:01P
- 接触电阻 [Contact resistance]: $\leq 20\text{m}\Omega$
- 绝缘电阻 [Insulation resistance]: $\geq 800\text{M}\Omega$
- 额定电压 [Rated voltage]:250V AC DC
- 额定电流 [Rated current]:2.0A AC DC
- 耐 电 压 [Withstand voltage]:1500V AC/minute
- 温度范围 [Temperature range]:-45°C ~ +125°C

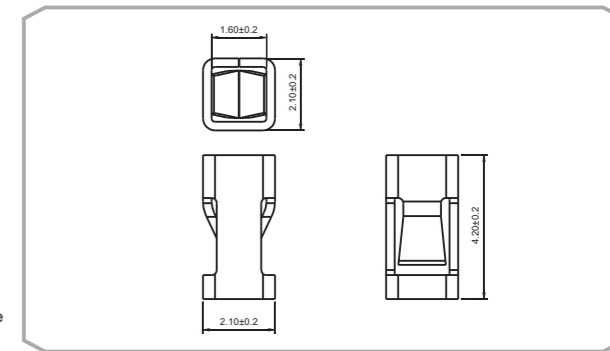


安装尺寸 Mounting Measurement

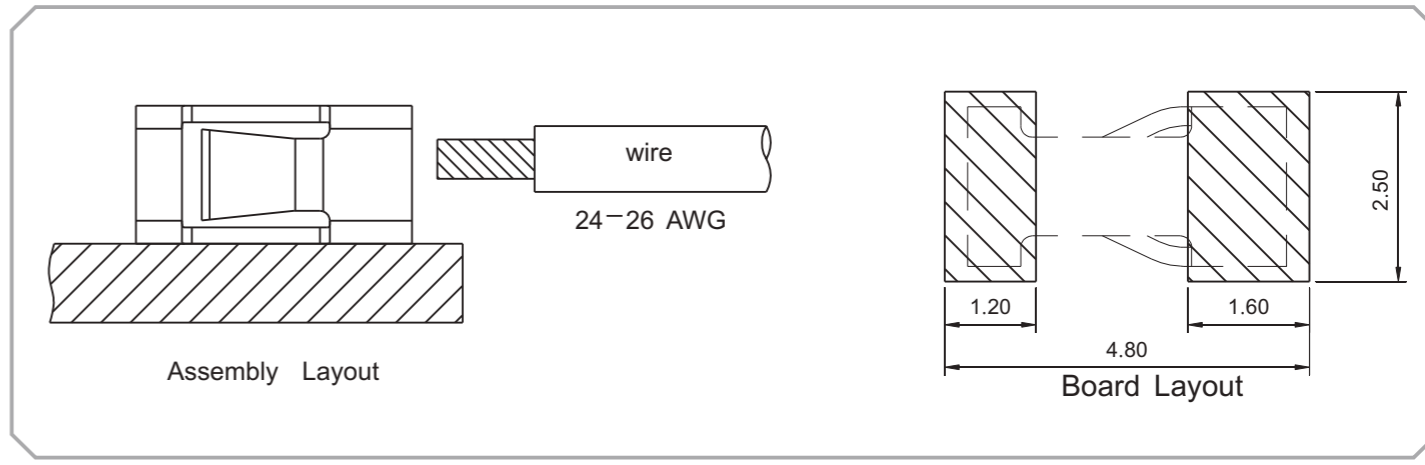


[技术参数] SPECIFICATION

- 线 数 [Poles]:01P
- 接触电阻 [Contact resistance]: $\leq 20\text{m}\Omega$
- 绝缘电阻 [Insulation resistance]: $\geq 1000\text{M}\Omega$
- 额定电压 [Rated voltage]:250V AC DC
- 额定电流 [Rated current]:2.0A AC DC
- 耐 电 压 [Withstand voltage]:1000V AC/minute
- 温度范围 [Temperature range]:-25°C ~ +105°C



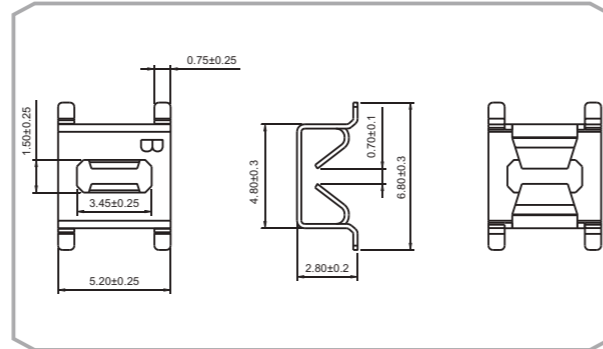
安装尺寸 Mounting Measurement



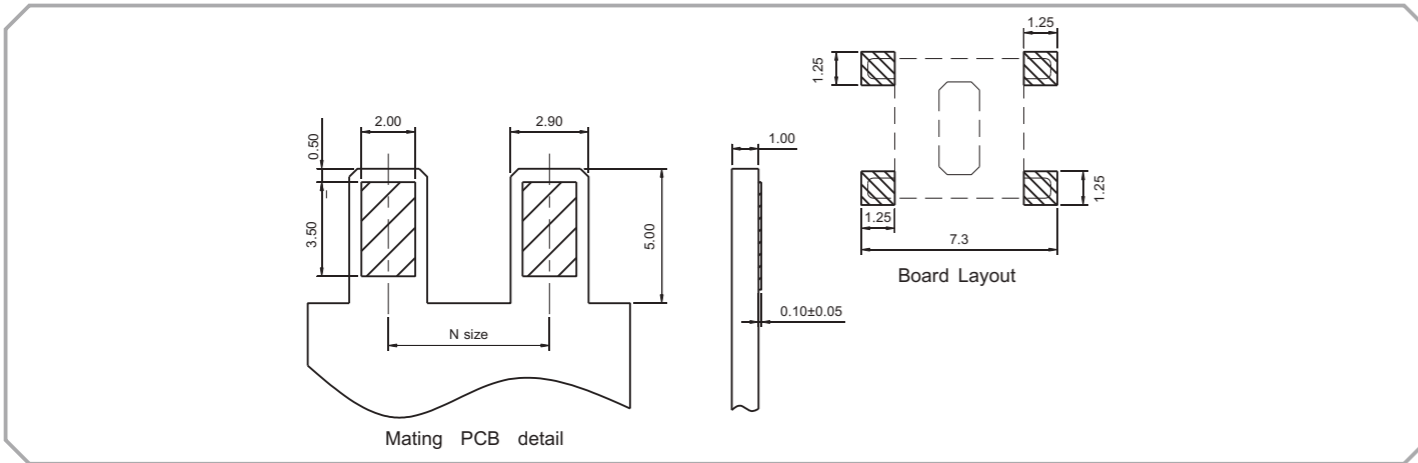


[技术参数] SPECIFICATION

- 板 厚 [Thickness]:1.0mm
- 接触电阻 [Contact resistance]: $\leq 20\text{m}\Omega$
- 额定电压 [Rated voltage]:250V AC DC
- 额定电流 [Rated current]:1.0A AC DC
- 温度范围 [Temperature range]: $-45^{\circ}\text{C} \sim +125^{\circ}\text{C}$

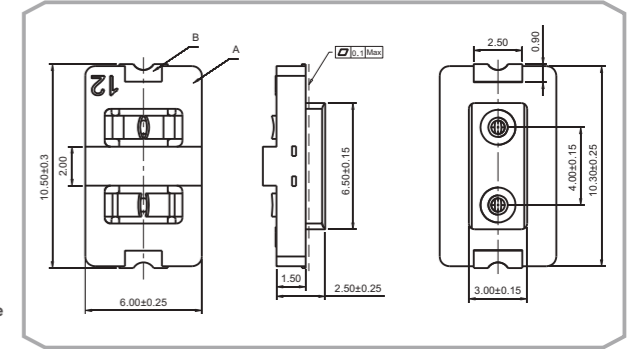


安装尺寸 Mounting Measurement

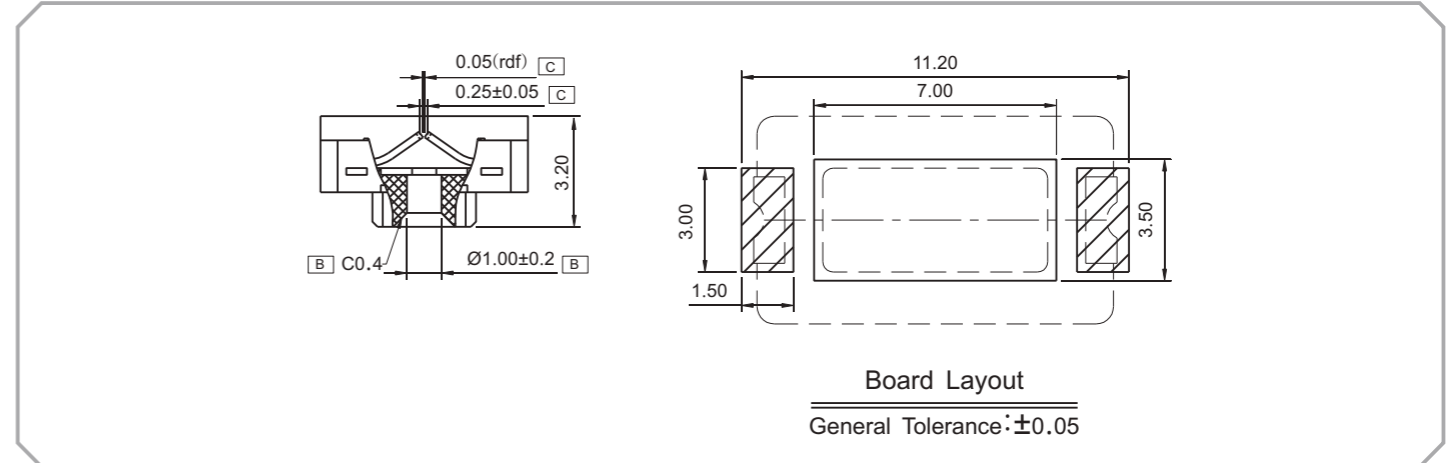


[技术参数] SPECIFICATION

- 线 数 [Poles]:02 to 04
- 接触电阻 [Contact resistance]: $\leq 20\text{m}\Omega$
- 绝缘电阻 [Insulation resistance]: $\geq 1000\text{M}\Omega$
- 额定电压 [Rated voltage]:275V AC DC
- 额定电流 [Rated current]:1.0A AC DC
- 耐 电 压 [Withstand voltage]:1000V AC/minute
- 温度范围 [Temperature range]: $-40^{\circ}\text{C} \sim +120^{\circ}\text{C}$



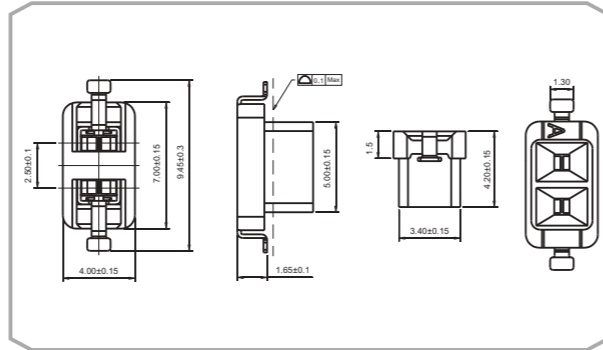
安装尺寸 Mounting Measurement



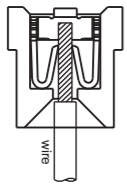


[技术参数] SPECIFICATION

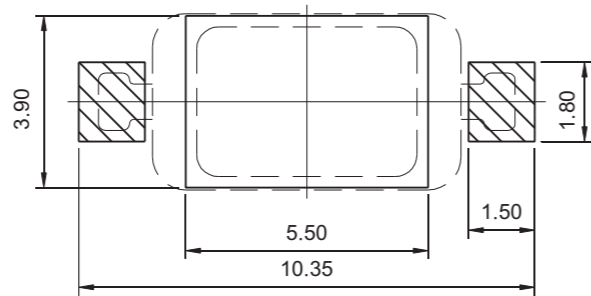
- 线 数 [Poles]:02P
- 接触电阻 [Contact resistance]: $\leq 20\text{m}\Omega$
- 绝缘电阻 [Insulation resistance]: $\geq 1000\text{M}\Omega$
- 额定电压 [Rated voltage]:275V AC DC
- 额定电流 [Rated current]:1.0A AC DC
- 耐 电 压 [Withstand voltage]:1500V AC/minute
- 温度范围 [Temperature range]: $-40^{\circ}\text{C} \sim +120^{\circ}\text{C}$



安装尺寸 Mounting Measurement



Assembly Layout
22AWG-24AWG

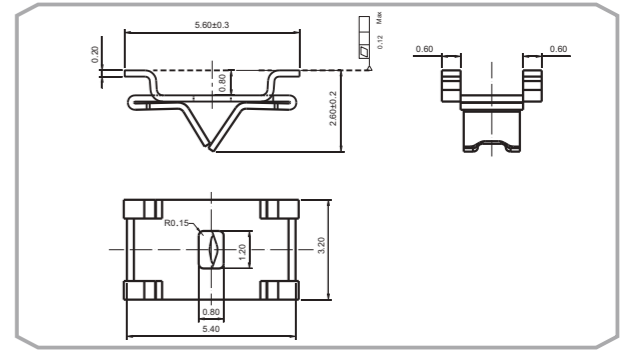


Board Layout
General Tolerance: ± 0.05

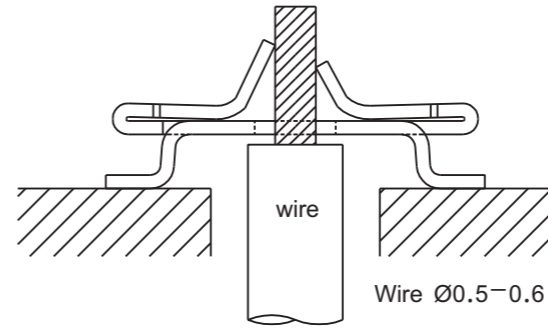


[技术参数] SPECIFICATION

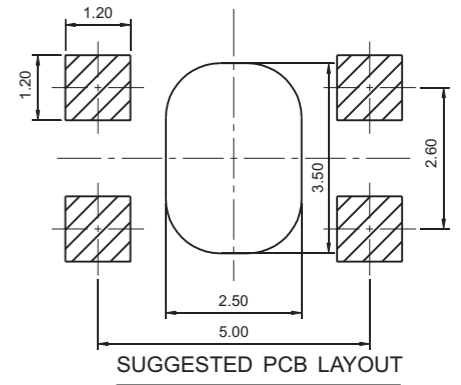
- 线 数 [Poles]:01P
- 接触电阻 [Contact resistance]: $\leq 20\text{m}\Omega$
- 额定电压 [Rated voltage]:250V AC DC
- 额定电流 [Rated current]:1.0A AC DC
- 温度范围 [Temperature range]: $-45^{\circ}\text{C} \sim +125^{\circ}\text{C}$



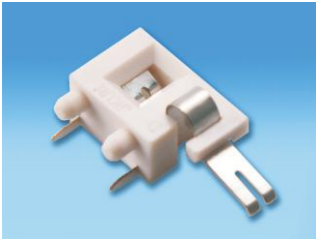
安装尺寸 Mounting Measurement



Assembly Layout
Wire $\varnothing 0.5-0.6$

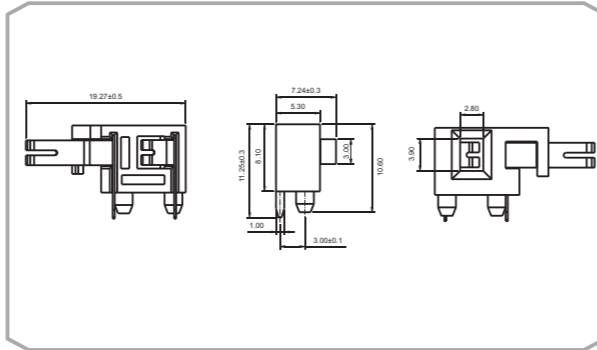


SUGGESTED PCB LAYOUT

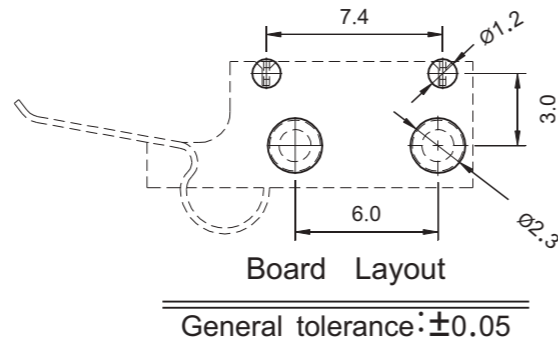
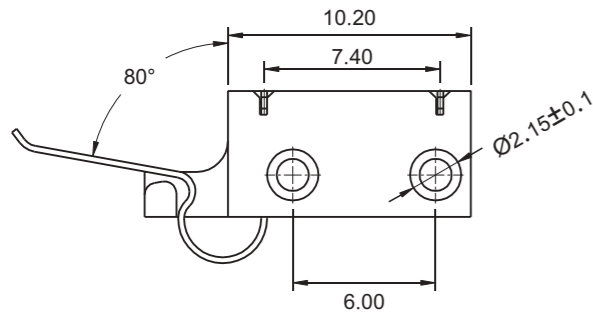


[技术参数] SPECIFICATION

- 接触电阻 [Contact resistance]: $\leq 30\text{m}\Omega$
- 绝缘电阻 [Insulation resistance]: $\geq 800\text{M}\Omega$
- 额定电压 [Rated voltage]: 300V AC DC
- 额定电流 [Rated current]: 2.0A AC DC
- 耐电压 [Withstand voltage]: 1500V AC/minute
- 温度范围 [Temperature range]: $-40^{\circ}\text{C} \sim +105^{\circ}\text{C}$

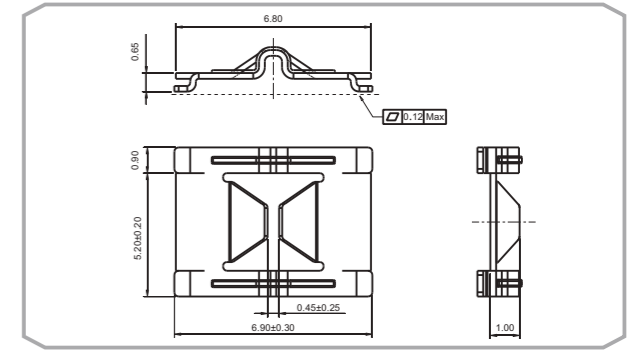


安装尺寸 Mounting Measurement

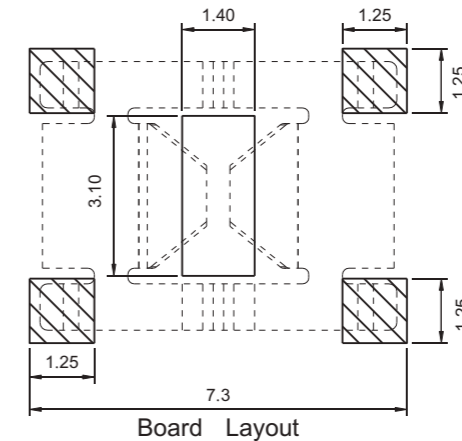


[技术参数] SPECIFICATION

- 板厚 [Thickness]: 1.0mm
- 接触电阻 [Contact resistance]: $\leq 20\text{m}\Omega$
- 额定电压 [Rated voltage]: 250V AC DC
- 额定电流 [Rated current]: 1.0A AC DC
- 温度范围 [Temperature range]: $-45^{\circ}\text{C} \sim +125^{\circ}\text{C}$



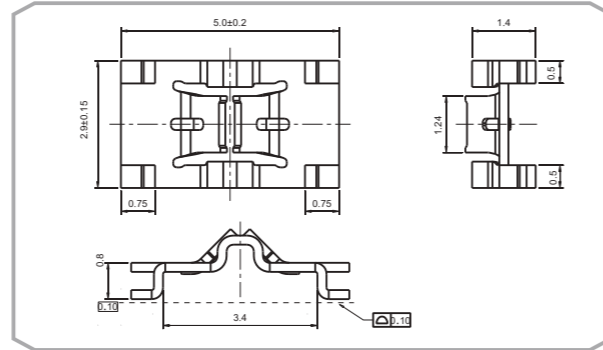
安装尺寸 Mounting Measurement





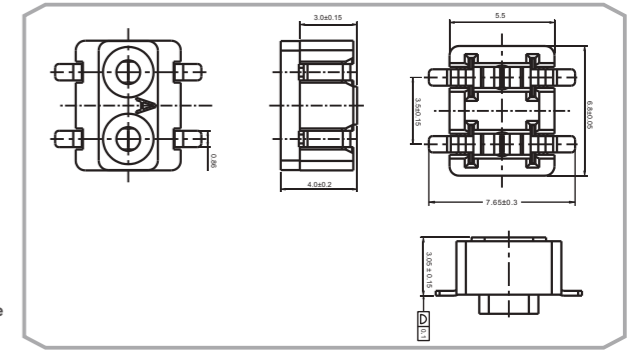
[技术参数] SPECIFICATION

- 线 数 [Poles]:01P
- 接触电阻 [Contact resistance]: $\leq 30m\Omega$
- 额定电压 [Rated voltage]:250V AC DC
- 额定电流 [Rated current]:1.0A AC DC
- 温度范围 [Temperature range]:-40°C ~ +125°C

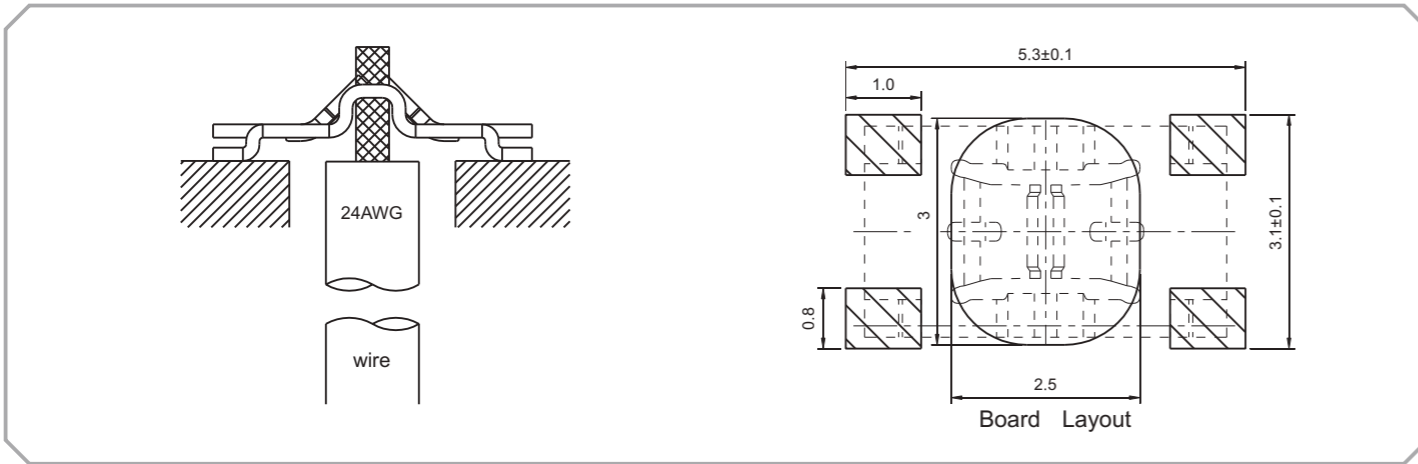


[技术参数] SPECIFICATION

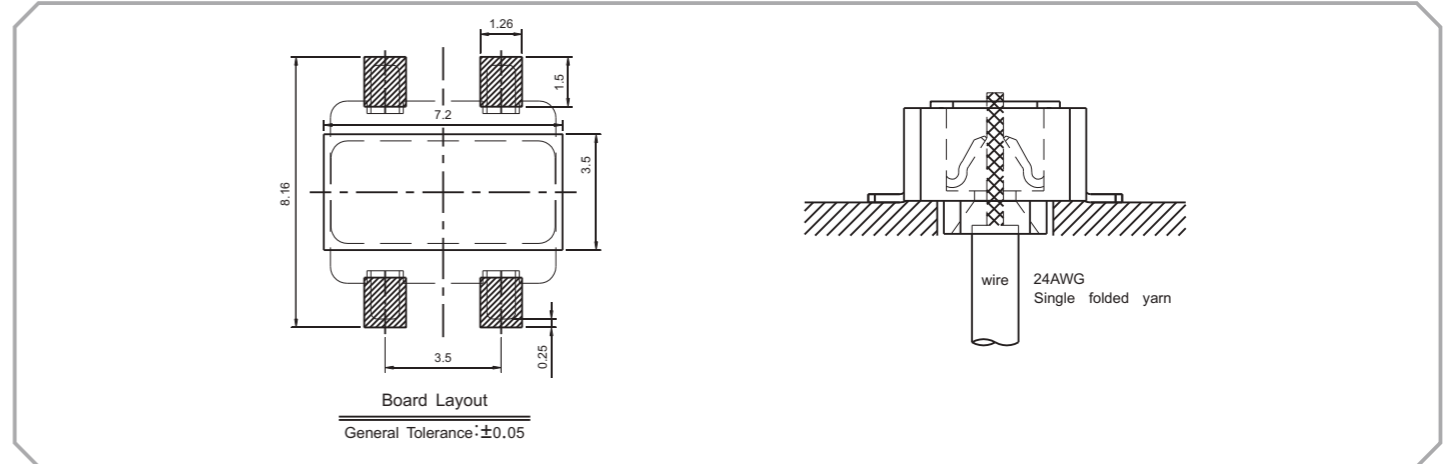
- 线 数 [Poles]:02P
- 接触电阻 [Contact resistance]: $\leq 30m\Omega$
- 绝缘电阻 [Insulation resistance]: $\geq 1000M\Omega$
- 额定电压 [Rated voltage]:275V AC DC
- 额定电流 [Rated current]:1.0A AC DC
- 耐 电 压 [Withstand voltage]:1000V AC/minute
- 温度范围 [Temperature range]:-40°C ~ +130°C

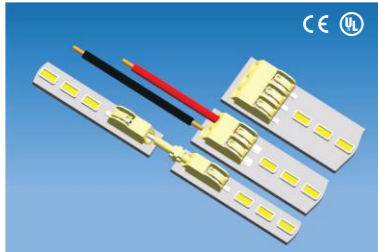


安装尺寸 Mounting Measurement



安装尺寸 Mounting Measurement

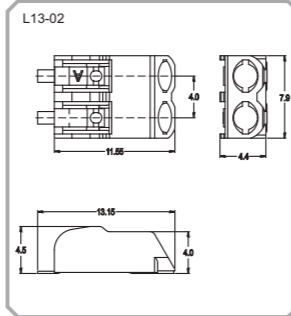




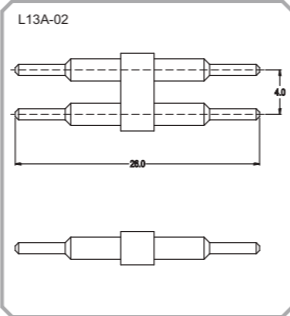
[技术参数] SPECIFICATION

- 线 数 [Poles]: 01 to 03P
- 接触电阻 [Contact resistance]: $\leq 20\text{m}\Omega$
- 绝缘电阻 [Insulation resistance]: $\geq 800\text{M}\Omega$
- 额定电压 [Rated voltage]: 250V AC DC
- 额定电流 [Rated current]: 6.0A AC DC
- 耐 电 压 [Withstand voltage]: 800V AC/minute
- 温度范围 [Temperature range]: $-25^{\circ}\text{C} \sim +105^{\circ}\text{C}$

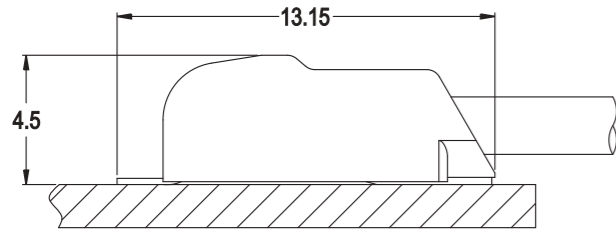
Wafer (贴片)



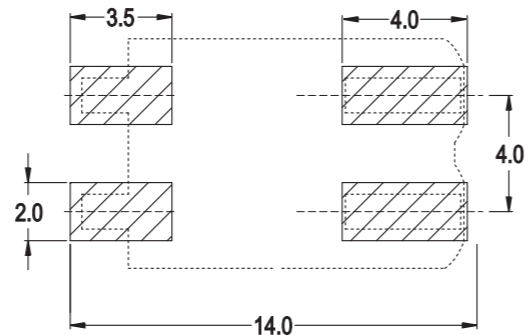
Wafer (板对板)



安装尺寸 Mounting Measurement



20AWG to 26AWG
Assembly Layout



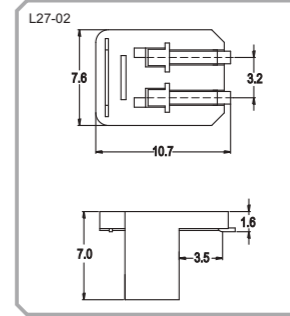
SMT type



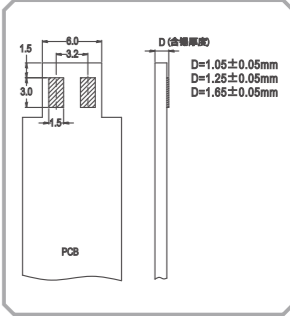
[技术参数] SPECIFICATION

- 线 数 [Poles]: 02P
- 接触电阻 [Contact resistance]: $\leq 20\text{m}\Omega$
- 绝缘电阻 [Insulation resistance]: $\geq 1000\text{M}\Omega$
- 额定电压 [Rated voltage]: 250V AC DC
- 额定电流 [Rated current]: 2.0A AC DC
- 耐 电 压 [Withstand voltage]: 1000V AC/minute
- 温度范围 [Temperature range]: $-25^{\circ}\text{C} \sim +105^{\circ}\text{C}$

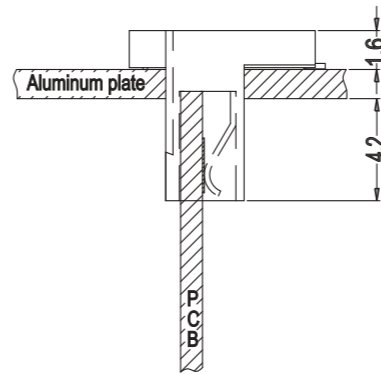
Wafer (贴片)



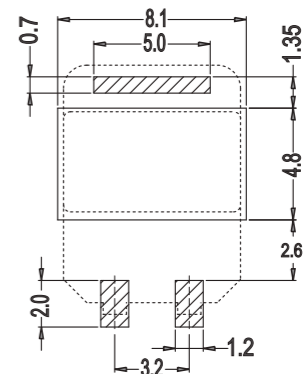
Mating PCB detail (PCB板布局)



安装尺寸 Mounting Measurement



Assembly Layout



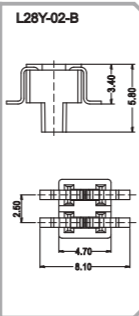
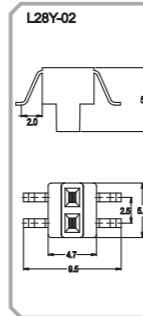
SMT type



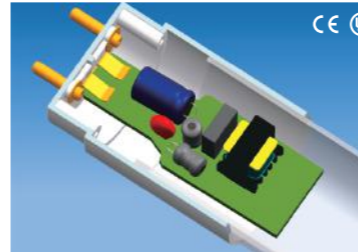
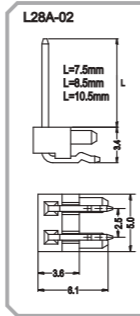
[技术参数] SPECIFICATION

- 线 数 [Poles]:02P
- 接触电阻 [Contact resistance]: $\leq 20\text{m}\Omega$
- 绝缘电阻 [Insulation resistance]: $\geq 800\text{M}\Omega$
- 额定电压 [Rated voltage]:250V AC DC
- 额定电流 [Rated current]:1.0A AC DC
- 耐 电 压 [Withstand voltage]:1000V AC/minute
- 温度范围 [Temperature range]: $-40^{\circ}\text{C} \sim +120^{\circ}\text{C}$

Wafer (贴片)



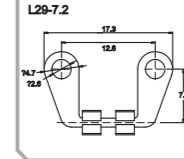
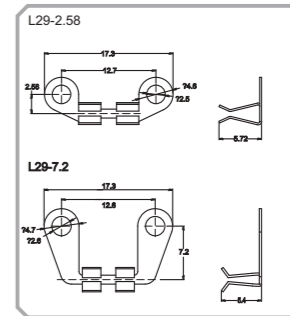
Wafer (针座)



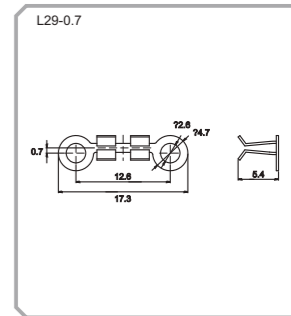
[技术参数] SPECIFICATION

- 线 数 [Poles]:02P
- 接触电阻 [Contact resistance]: $\leq 20\text{m}\Omega$
- 绝缘电阻 [Insulation resistance]: $\geq 800\text{M}\Omega$
- 额定电压 [Rated voltage]:250V AC DC
- 额定电流 [Rated current]:2.0A AC DC
- 耐 电 压 [Withstand voltage]:1000V AC/minute
- 温度范围 [Temperature range]: $-25^{\circ}\text{C} \sim +105^{\circ}\text{C}$

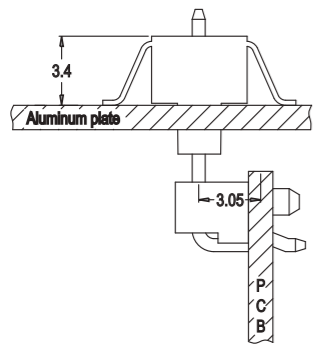
Terminal(端子)



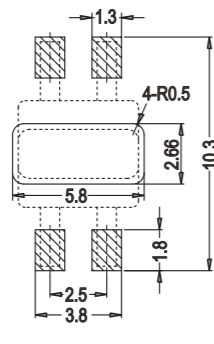
Terminal(端子)



安装尺寸 Mounting Measurement

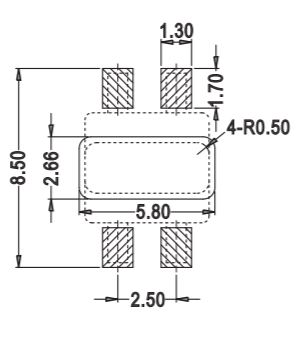


Assembly Layout

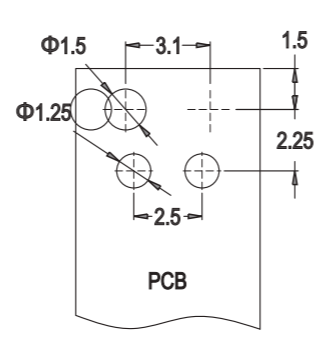


L28Y-02

SMT type



L28Y-02-B

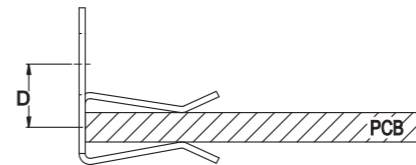


L42Y

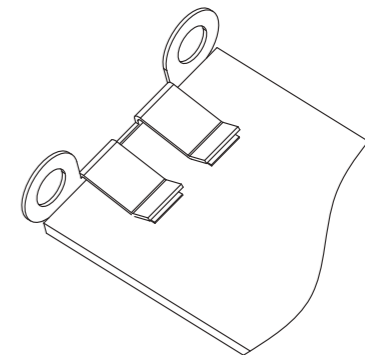
Through-hole type

安装尺寸 Mounting Measurement

D=2.58mm
D=7.2mm
D=0.7mm



Assembly Layout

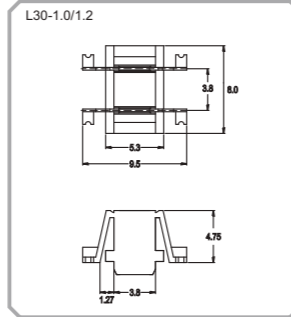




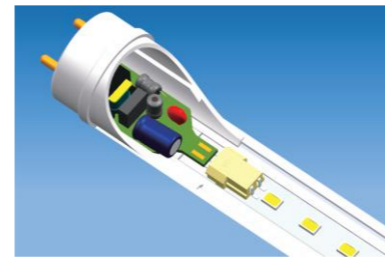
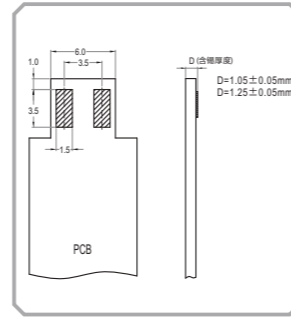
[技术参数] SPECIFICATION

- 线 数 [Poles]:02P
- 接触电阻 [Contact resistance]: $\leq 20\text{m}\Omega$
- 绝缘电阻 [Insulation resistance]: $\geq 1000\text{M}\Omega$
- 额定电压 [Rated voltage]:250V AC DC
- 额定电流 [Rated current]:1.0A AC DC
- 耐 电 压 [Withstand voltage]:1000V AC/minute
- 温度范围 [Temperature range]: $-40^{\circ}\text{C} \sim +120^{\circ}\text{C}$

Wafer (贴片)



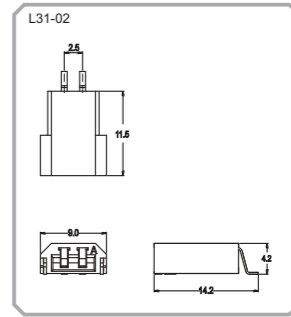
Mating PCB detail(PCB板布局)



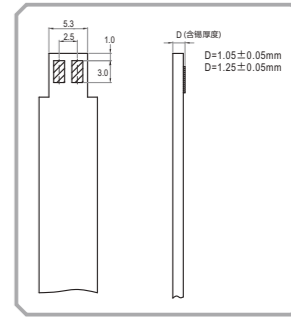
[技术参数] SPECIFICATION

- 线 数 [Poles]:02 to 03P
- 接触电阻 [Contact resistance]: $\leq 20\text{m}\Omega$
- 绝缘电阻 [Insulation resistance]: $\geq 800\text{M}\Omega$
- 额定电压 [Rated voltage]:250V AC DC
- 额定电流 [Rated current]:2.0A AC DC
- 耐 电 压 [Withstand voltage]:800V AC/minute
- 温度范围 [Temperature range]: $-25^{\circ}\text{C} \sim +105^{\circ}\text{C}$

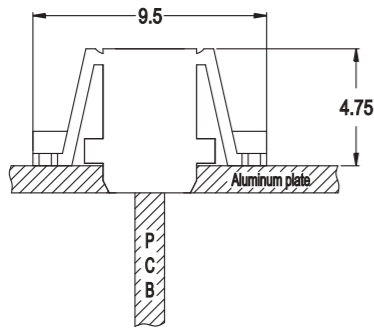
Wafer (贴片)



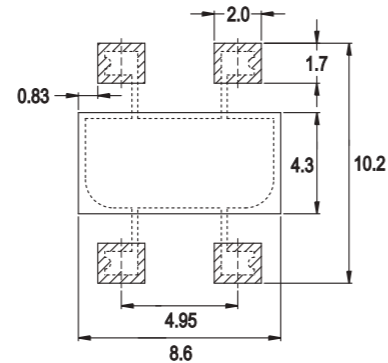
Mating PCB detail(PCB板布局)



安装尺寸 Mounting Measurement

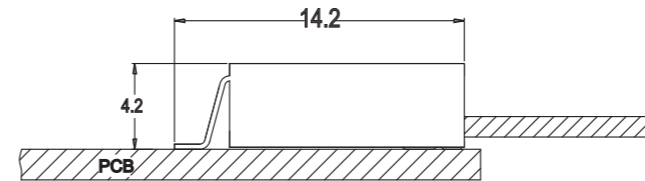


Assembly Layout

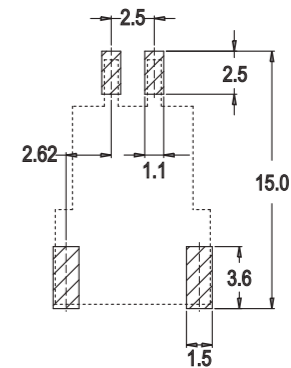


SMT type

安装尺寸 Mounting Measurement



Assembly Layout



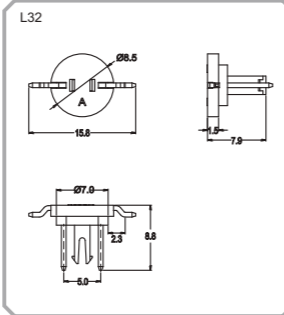
SMT type



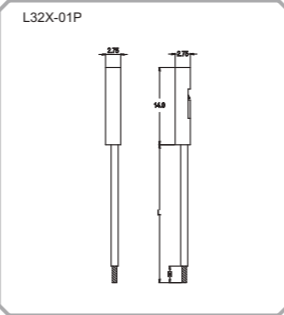
[技术参数] SPECIFICATION

- 线 数 [Poles]:02
- 接触电阻 [Contact resistance]: $\leq 20\text{m}\Omega$
- 绝缘电阻 [Insulation resistance]: $\geq 1000\text{M}\Omega$
- 额定电压 [Rated voltage]:250V AC DC
- 额定电流 [Rated current]:2.0A AC DC
- 耐 电 压 [Withstand voltage]:1500V AC/minute
- 温度范围 [Temperature range]: $-25^{\circ}\text{C} \sim +105^{\circ}\text{C}$

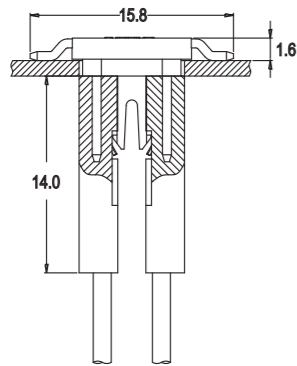
Wafer (贴片)



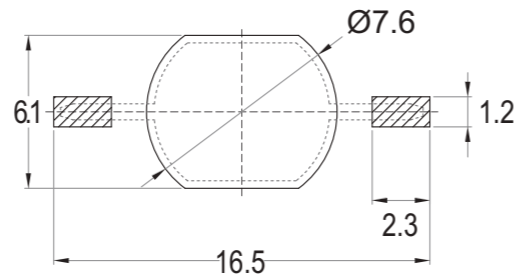
Wire harness(线束)



安装尺寸 Mounting Measurement



Assembly Layout



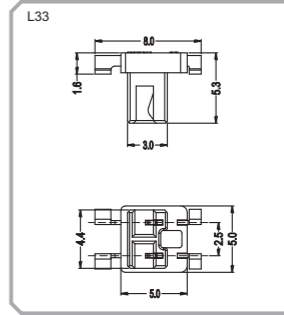
SMT type



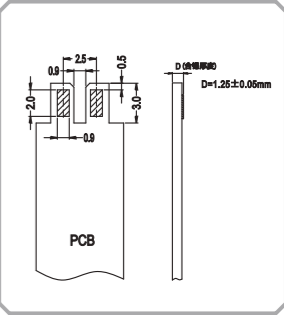
[技术参数] SPECIFICATION

- 线 数 [Poles]:02 P
- 接触电阻 [Contact resistance]: $\leq 20\text{m}\Omega$
- 绝缘电阻 [Insulation resistance]: $\geq 800\text{M}\Omega$
- 额定电压 [Rated voltage]:125V AC DC
- 额定电流 [Rated current]:1.0A AC DC
- 耐 电 压 [Withstand voltage]:800V AC/minute
- 温度范围 [Temperature range]: $-25^{\circ}\text{C} \sim +105^{\circ}\text{C}$
- 板 厚 [thickness]:1.2 mm

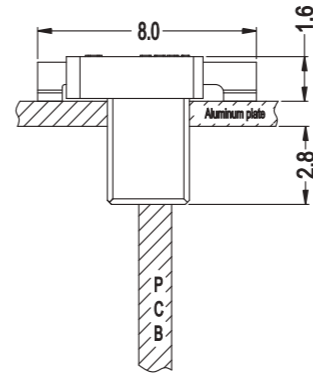
Wafer (贴片)



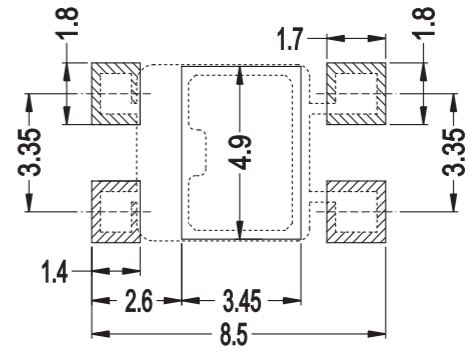
Mating PCB detail(PCB板布局)



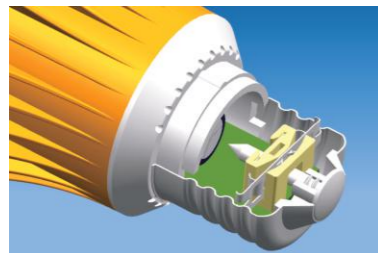
安装尺寸 Mounting Measurement



Assembly Layout



SMT type

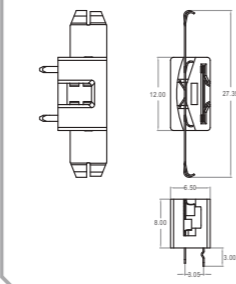


[技术参数] SPECIFICATION

- 线数 [Poles]: 02P
- 接触电阻 [Contact resistance]: $\leq 20\text{m}\Omega$
- 绝缘电阻 [Insulation resistance]: $\geq 800\text{M}\Omega$
- 额定电压 [Rated voltage]: 250V AC DC
- 额定电流 [Rated current]: 3.0A AC DC
- 耐电压 [Withstand voltage]: 1500V AC/minute
- 温度范围 [Temperature range]: $-45^{\circ}\text{C} \sim +125^{\circ}\text{C}$

Wafer (针座)

L34(E27输入端专用)



配套铆钉

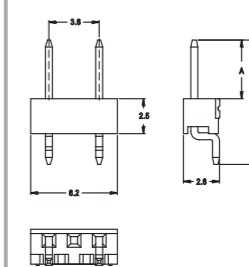


[技术参数] SPECIFICATION

- 线数 [Poles]: 01 to 06P
- 接触电阻 [Contact resistance]: $\leq 20\text{m}\Omega$
- 绝缘电阻 [Insulation resistance]: $\geq 800\text{M}\Omega$
- 额定电压 [Rated voltage]: 125V AC DC
- 额定电流 [Rated current]: 1.0A AC DC
- 耐电压 [Withstand voltage]: 800V AC/minute
- 温度范围 [Temperature range]: $-40^{\circ}\text{C} \sim +120^{\circ}\text{C}$

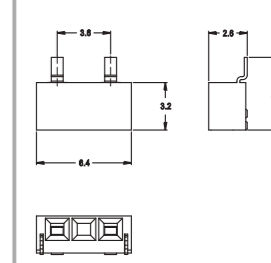
Wafer (贴片公端)

L35A-03(2)

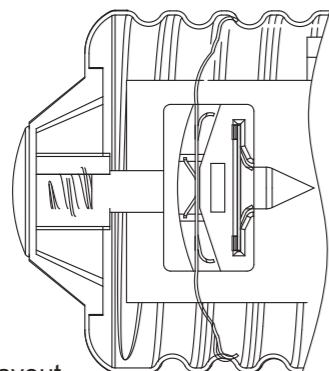


Wafer (贴片母端)

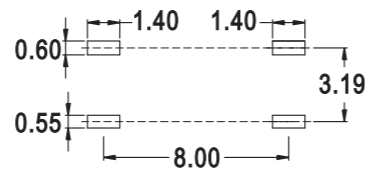
L35Y-03(2)



安装尺寸 Mounting Measurement

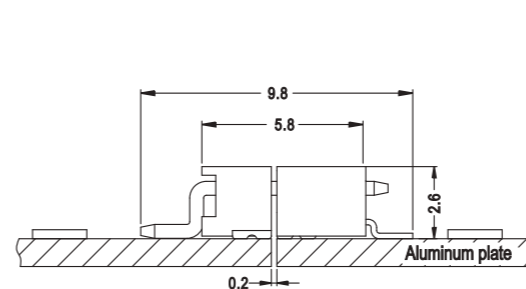


Assembly Layout

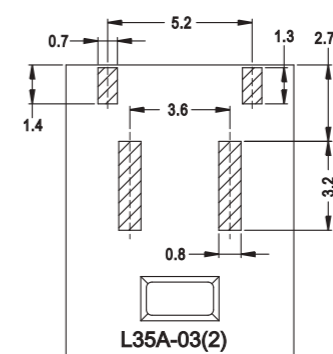


Through-hole type

安装尺寸 Mounting Measurement

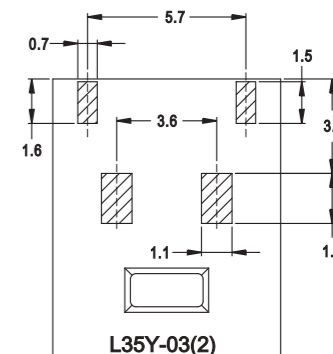


Assembly Layout

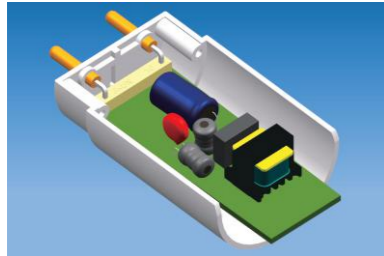


L35A-03(2)

SMT type



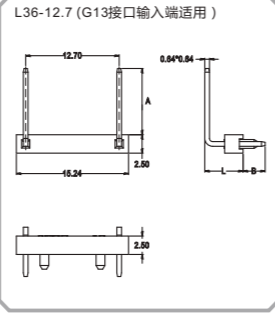
L35Y-03(2)



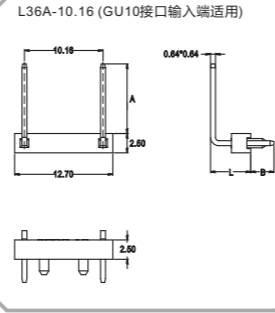
[技术参数] SPECIFICATION

- 线数 [Poles]: 02P
- 接触电阻 [Contact resistance]: $\leq 20\text{m}\Omega$
- 绝缘电阻 [Insulation resistance]: $\geq 1000\text{M}\Omega$
- 额定电压 [Rated voltage]: 250V AC DC
- 额定电流 [Rated current]: 2.0A AC DC
- 耐电压 [Withstand voltage]: 1500V AC/minute
- 温度范围 [Temperature range]: $-25^{\circ}\text{C} \sim +110^{\circ}\text{C}$

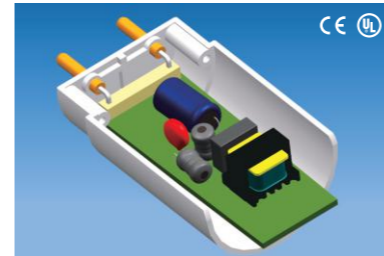
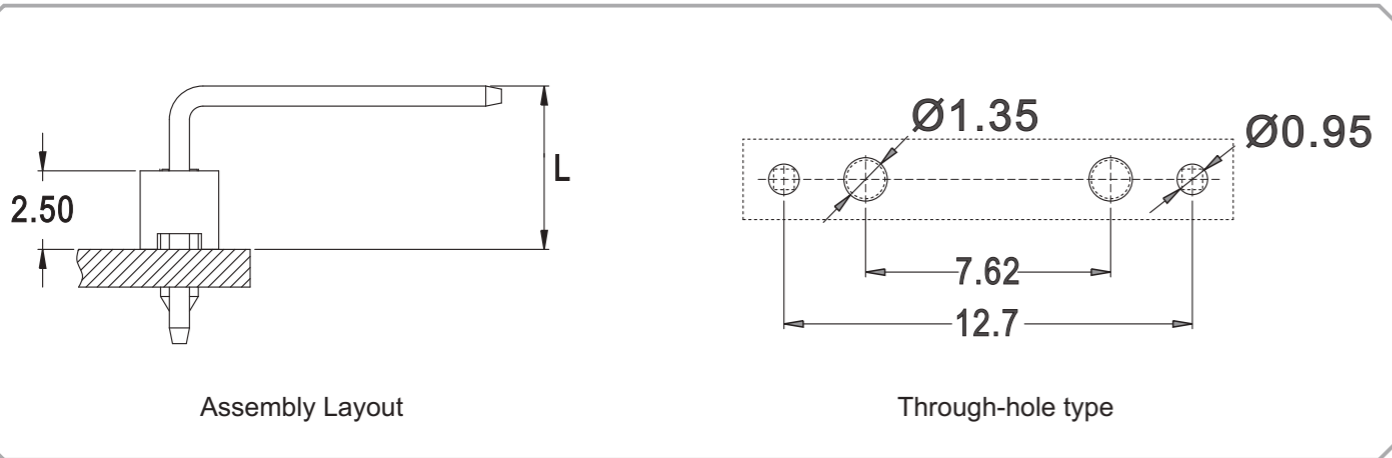
Wafer (针座)



Wafer (针座)



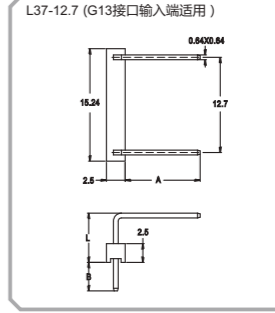
安装尺寸 Mounting Measurement



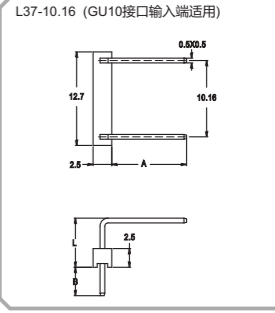
[技术参数] SPECIFICATION

- 线数 [Poles]: 02P
- 接触电阻 [Contact resistance]: $\leq 20\text{m}\Omega$
- 绝缘电阻 [Insulation resistance]: $\geq 1000\text{M}\Omega$
- 额定电压 [Rated voltage]: 250V AC DC
- 额定电流 [Rated current]: 2.0A AC DC
- 耐电压 [Withstand voltage]: 1500V AC/minute
- 温度范围 [Temperature range]: $-40^{\circ}\text{C} \sim +110^{\circ}\text{C}$

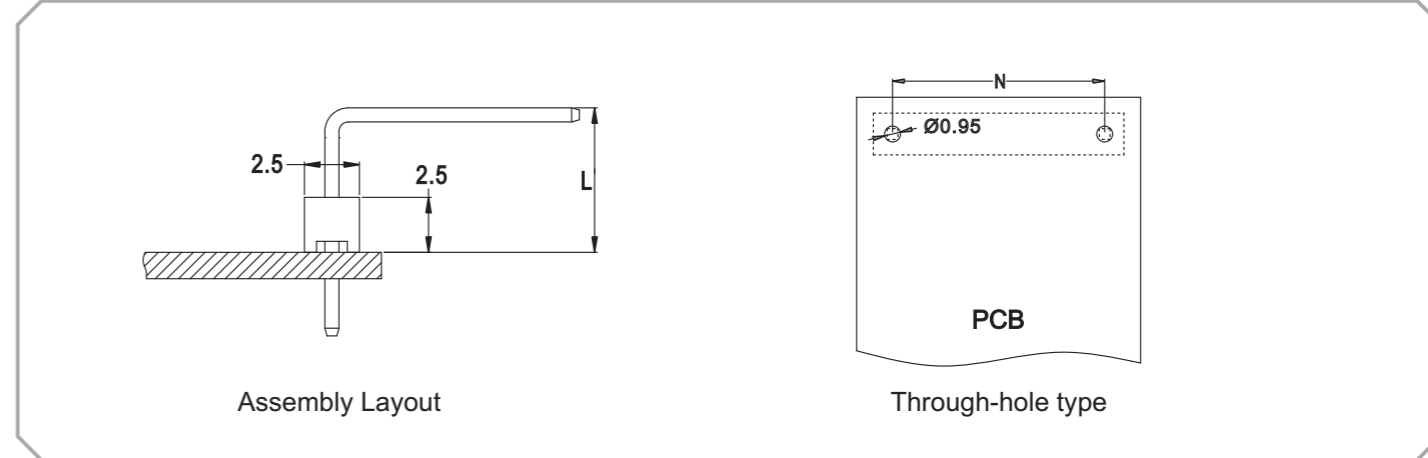
Wafer (针座)

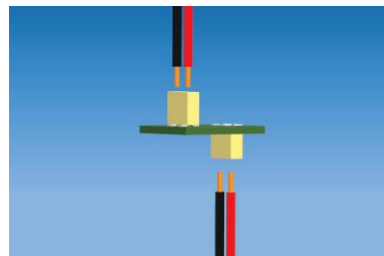


Wafer (针座)



安装尺寸 Mounting Measurement

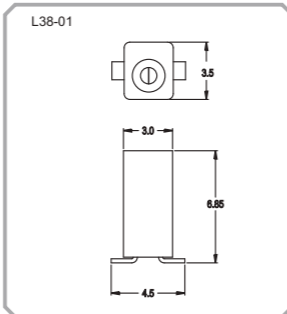




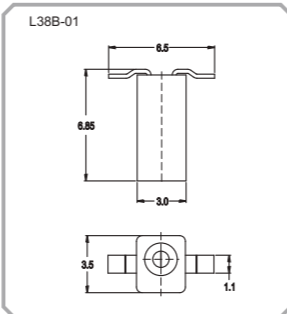
[技术参数] SPECIFICATION

- 线 数 [Poles]: 01 to 06P
- 接触电阻 [Contact resistance]: $\leq 20\text{m}\Omega$
- 绝缘电阻 [Insulation resistance]: $\geq 800\text{M}\Omega$
- 额定电压 [Rated voltage]: 250V AC DC
- 额定电流 [Rated current]: 1.0A AC DC
- 耐 电 压 [Withstand voltage]: 1000V AC/minute
- 温度范围 [Temperature range]: $-40^{\circ}\text{C} \sim +120^{\circ}\text{C}$

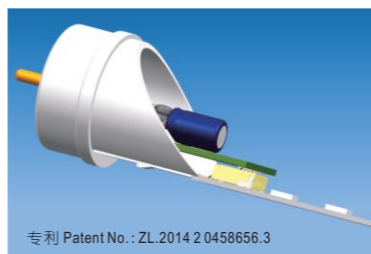
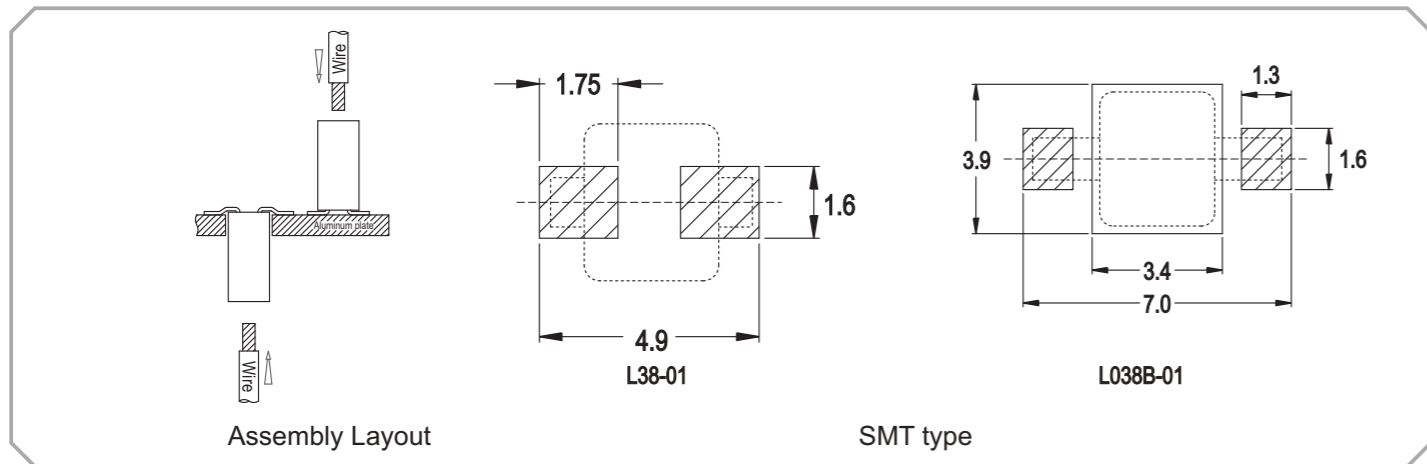
Wafer (贴片)



Wafer (贴片)



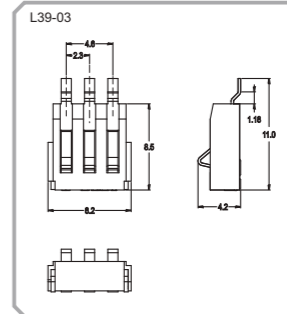
安装尺寸 Mounting Measurement



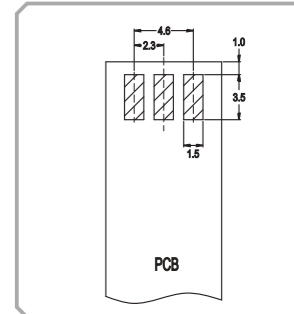
[技术参数] SPECIFICATION

- 线 数 [Poles]: 03P
- 接触电阻 [Contact resistance]: $\leq 20\text{m}\Omega$
- 绝缘电阻 [Insulation resistance]: $\geq 800\text{M}\Omega$
- 额定电压 [Rated voltage]: 125V AC DC
- 额定电流 [Rated current]: 1.0A AC DC
- 耐 电 压 [Withstand voltage]: 800V AC/minute
- 温度范围 [Temperature range]: $-40^{\circ}\text{C} \sim +120^{\circ}\text{C}$

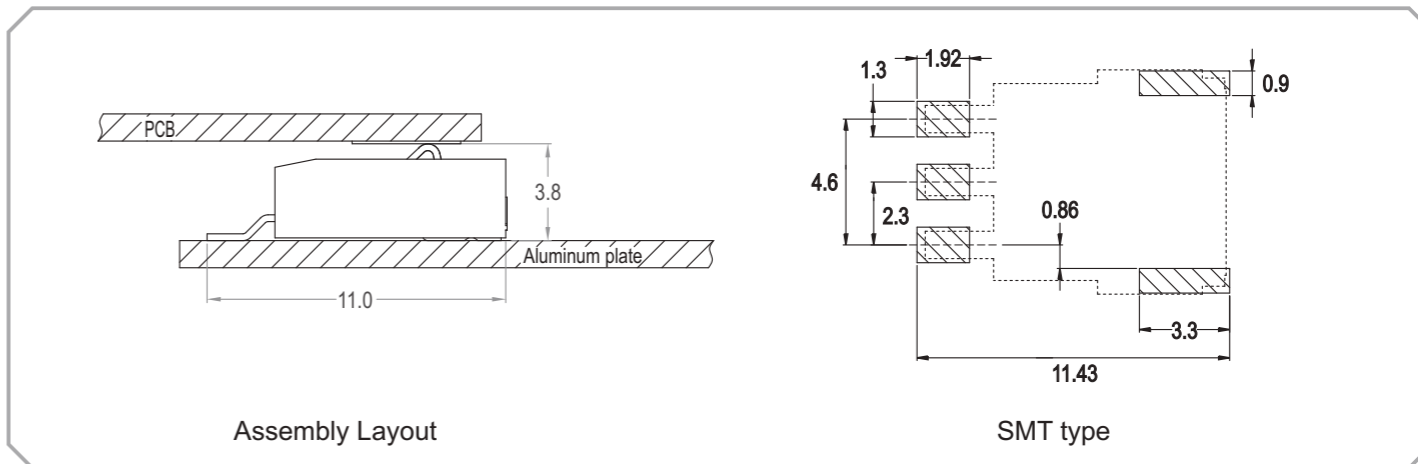
Wafer (贴片)

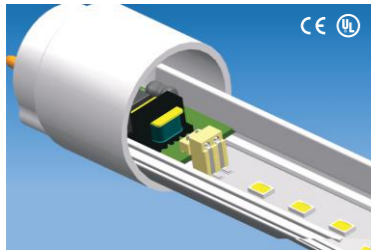


Mating PCB detail (PCB板布局)



安装尺寸 Mounting Measurement

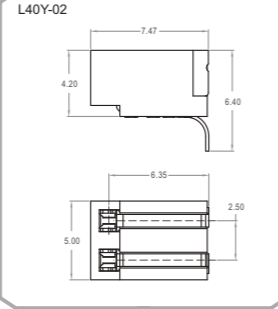




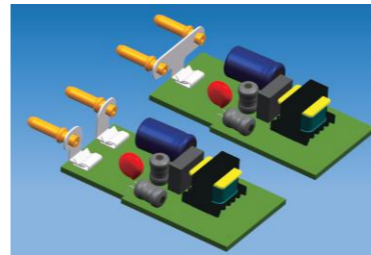
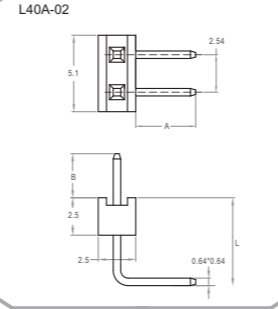
[技术参数] SPECIFICATION

- 线 数 [Poles]:02 to 04P
- 接触电阻 [Contact resistance]: $\leq 20\text{m}\Omega$
- 绝缘电阻 [Insulation resistance]: $\geq 1000\text{M}\Omega$
- 额定电压 [Rated voltage]:125V AC DC
- 额定电流 [Rated current]:1.0A AC DC
- 耐 电 压 [Withstand voltage]:1000V AC/minute
- 温度范围 [Temperature range]: $-25^{\circ}\text{C} \sim +105^{\circ}\text{C}$

Wafer (贴片)



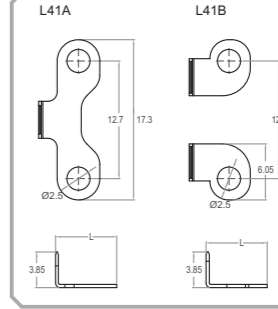
Wafer (针座)



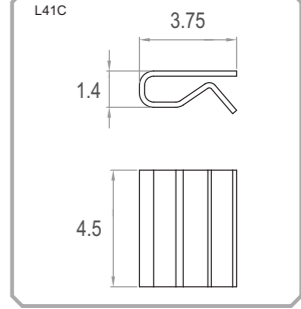
[技术参数] SPECIFICATION

- 线 数 [Poles]:01 to 02P
- 接触电阻 [Contact resistance]: $\leq 20\text{m}\Omega$
- 绝缘电阻 [Insulation resistance]: $\geq 1000\text{M}\Omega$
- 额定电压 [Rated voltage]:250V AC DC
- 额定电流 [Rated current]:2.0A AC DC
- 耐 电 压 [Withstand voltage]:1000V AC/minute
- 温度范围 [Temperature range]: $-25^{\circ}\text{C} \sim +105^{\circ}\text{C}$

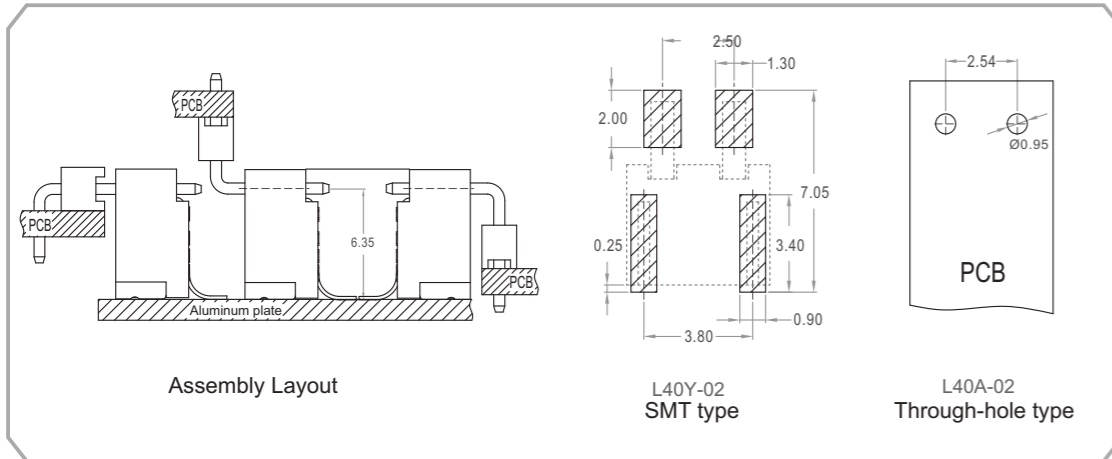
端子 terminal



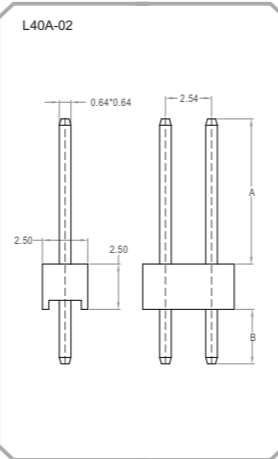
Wafer (贴片母端)



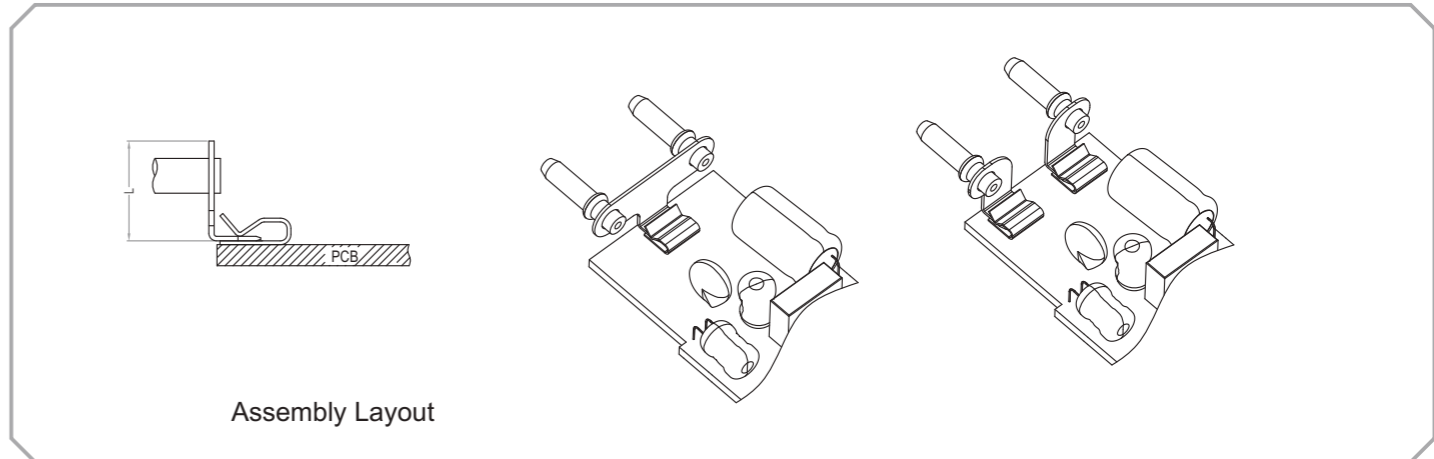
安装尺寸 Mounting Measurement



Wafer (针座)



安装尺寸 Mounting Measurement

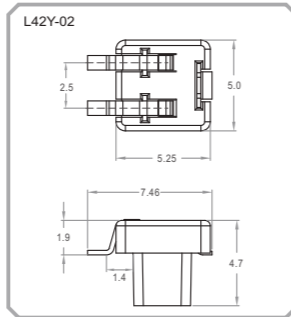




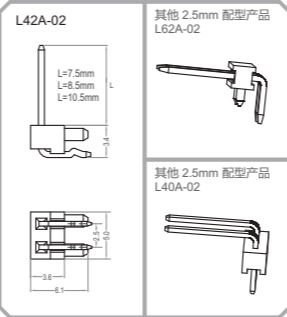
[技术参数] SPECIFICATION

- 线 数 [Poles]:02 to 06 P
- 接触电阻 [Contact resistance]: $\leq 20\text{m}\Omega$
- 绝缘电阻 [Insulation resistance]: $\geq 1000\text{M}\Omega$
- 额定电压 [Rated voltage]:100V AC DC
- 额定电流 [Rated current]:1.0A AC DC
- 耐 电 压 [Withstand voltage]:800V AC/minute
- 温度范围 [Temperature range]: $-40^{\circ}\text{C} \sim +120^{\circ}\text{C}$

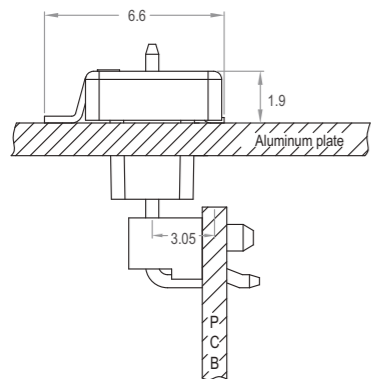
Wafer (贴片)



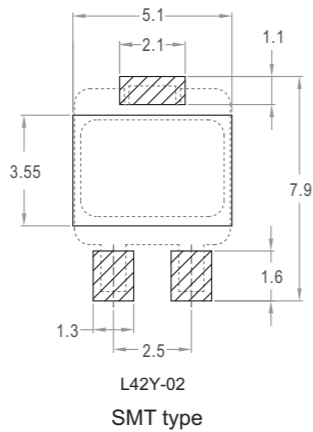
Wafer (针座)



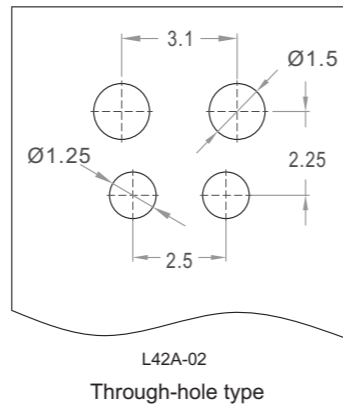
安装尺寸 Mounting Measurement



Assembly Layout



L42Y-02
SMT type



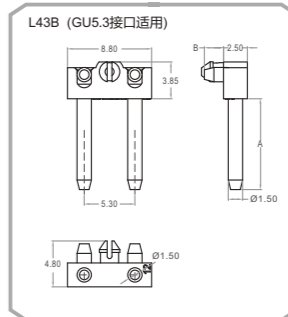
L42A-02
Through-hole type



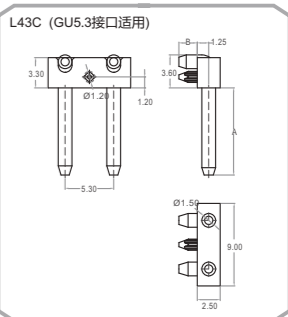
[技术参数] SPECIFICATION

- 线 数 [Poles]:02P
- 接触电阻 [Contact resistance]: $\leq 20\text{m}\Omega$
- 绝缘电阻 [Insulation resistance]: $\geq 1000\text{M}\Omega$
- 额定电压 [Rated voltage]:250V AC DC
- 额定电流 [Rated current]:3.0A AC DC
- 耐 电 压 [Withstand voltage]:1000V AC/minute
- 温度范围 [Temperature range]: $-40^{\circ}\text{C} \sim +110^{\circ}\text{C}$

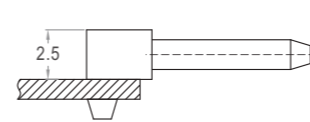
Wafer (针座)



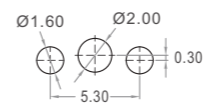
Wafer (针座)



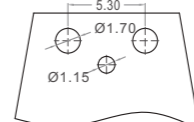
安装尺寸 Mounting Measurement



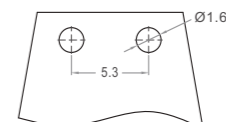
Assembly Layout



L43B-02



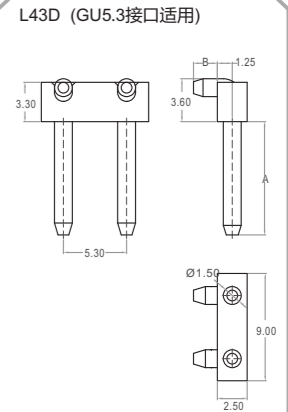
L43C-02



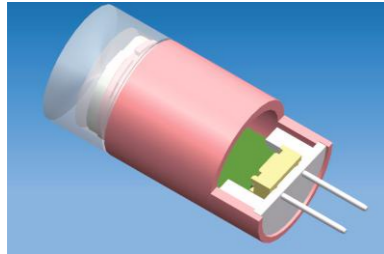
L43D-02

Through-hole type

Wafer (针座)

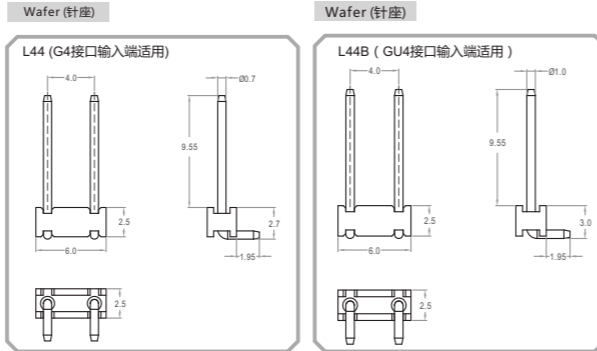


L43D (GU5.3接口适用)

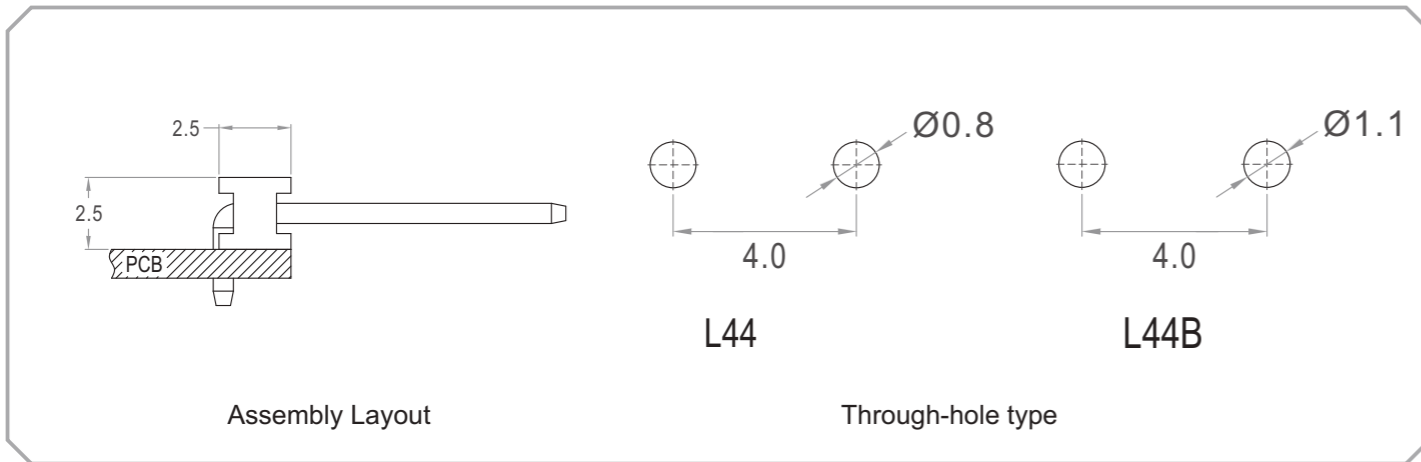


[技术参数] SPECIFICATION

- 接触电阻 [Contact resistance]: ≤20mΩ
- 绝缘电阻 [Insulation resistance]: ≥1000MΩ
- 额定电压 [Rated voltage]: 250V AC DC
- 额定电流 [Rated current]: 2.0A AC DC
- 耐电压 [Withstand voltage]: 2000V AC/minute
- 温度范围 [Temperature range]: -40°C ~ +110°C

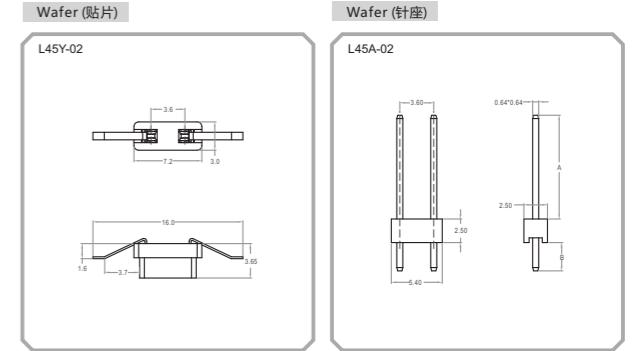


安装尺寸 Mounting Measurement

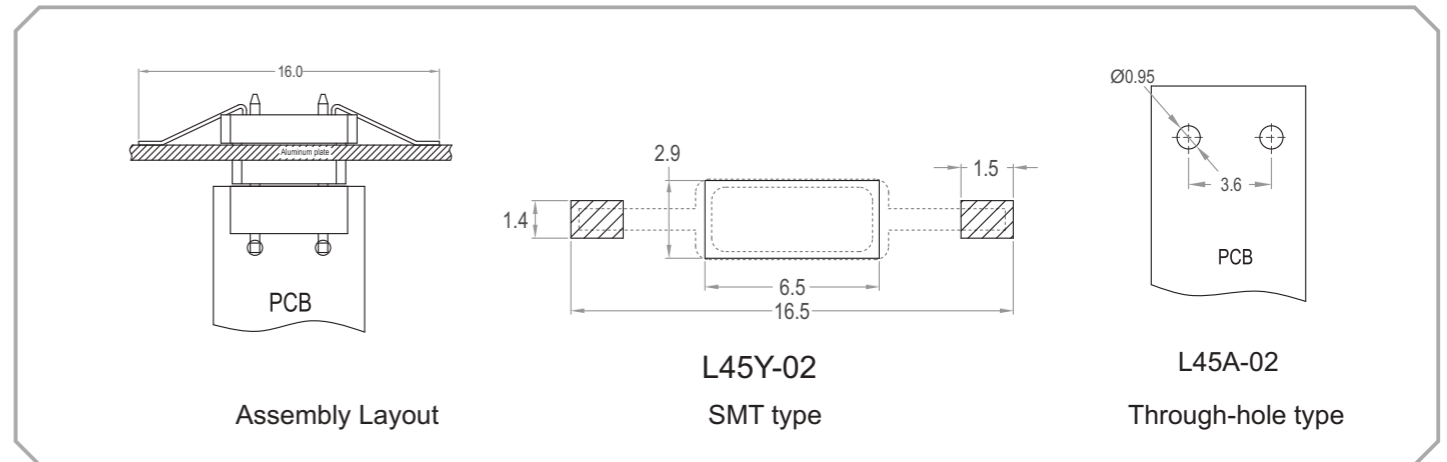


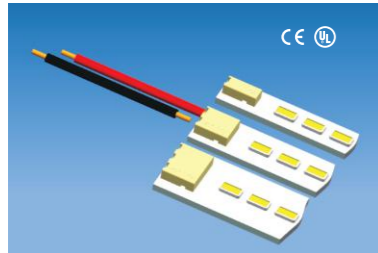
[技术参数] SPECIFICATION

- 线数 [Poles]: 02 to 08P
- 接触电阻 [Contact resistance]: ≤20mΩ
- 绝缘电阻 [Insulation resistance]: ≥1000MΩ
- 额定电压 [Rated voltage]: 125V AC DC
- 额定电流 [Rated current]: 1.0A AC DC
- 耐电压 [Withstand voltage]: 1500V AC/minute
- 温度范围 [Temperature range]: -25°C ~ +105°C



安装尺寸 Mounting Measurement

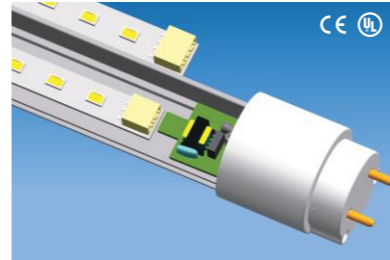
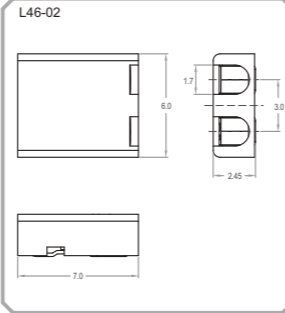




[技术参数] SPECIFICATION

- 线 数 [Poles]: 01 to 03P
- 接触电阻 [Contact resistance]: $\leq 20\text{m}\Omega$
- 绝缘电阻 [Insulation resistance]: $\geq 800\text{M}\Omega$
- 额定电压 [Rated voltage]: 250V AC DC
- 额定电流 [Rated current]: 2.0A AC DC
- 耐 电 压 [Withstand voltage]: 1500V AC/minute
- 温度范围 [Temperature range]: $-40^{\circ}\text{C} \sim +110^{\circ}\text{C}$

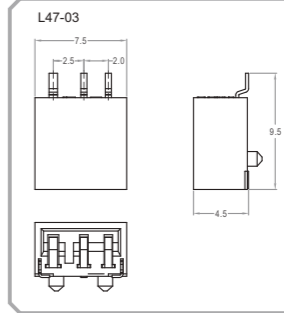
Wafer (贴片)



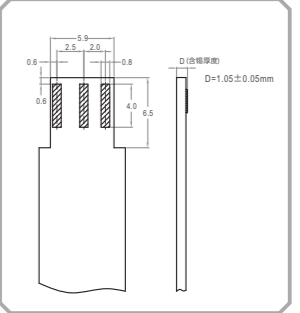
[技术参数] SPECIFICATION

- 线 数 [Poles]: 02 to 04P
- 接触电阻 [Contact resistance]: $\leq 20\text{m}\Omega$
- 绝缘电阻 [Insulation resistance]: $\geq 800\text{M}\Omega$
- 额定电压 [Rated voltage]: 150/150V AC DC
- 额定电流 [Rated current]: 1.0A AC DC
- 耐 电 压 [Withstand voltage]: 800V AC/minute
- 温度范围 [Temperature range]: $-25^{\circ}\text{C} \sim +105^{\circ}\text{C}$

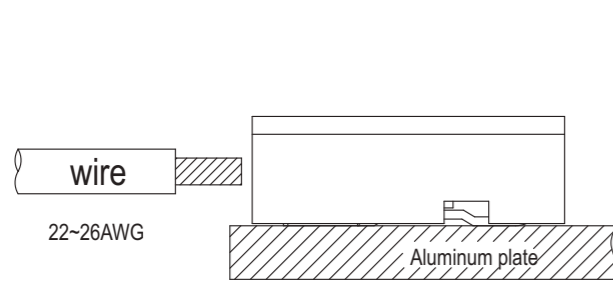
Wafer (贴片)



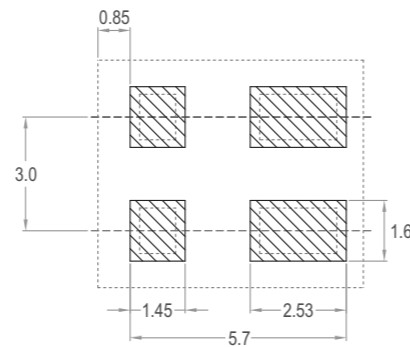
Mating PCB detail (PCB板布局)



安装尺寸 Mounting Measurement

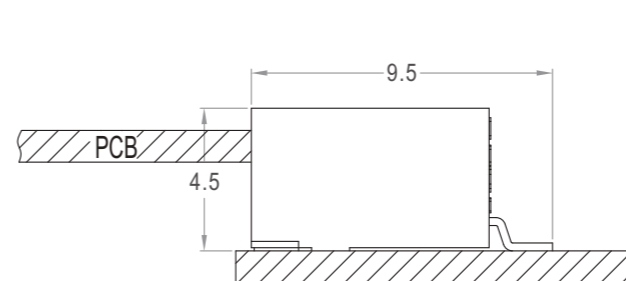


Assembly Layout

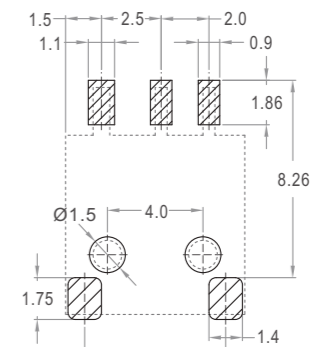


SMT type

安装尺寸 Mounting Measurement



Assembly Layout



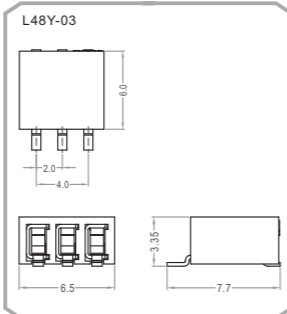
SMT type



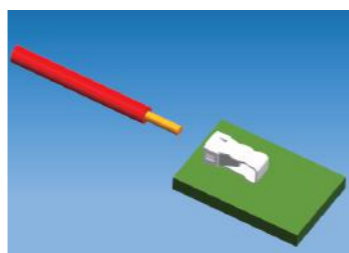
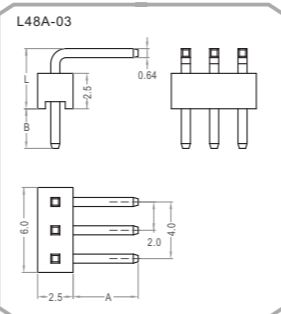
[技术参数] SPECIFICATION

- 线 数 [Poles]: 01 to 03P
- 接触电阻 [Contact resistance]: $\leq 20\text{m}\Omega$
- 绝缘电阻 [Insulation resistance]: $\geq 1000\text{M}\Omega$
- 额定电压 [Rated voltage]: 125V AC DC
- 额定电流 [Rated current]: 1.0A AC DC
- 耐 电 压 [Withstand voltage]: 1000V AC/minute
- 温度范围 [Temperature range]: $-25^{\circ}\text{C} \sim +105^{\circ}\text{C}$

Wafer (贴片)



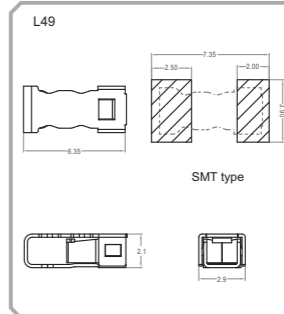
Wafer (针座)



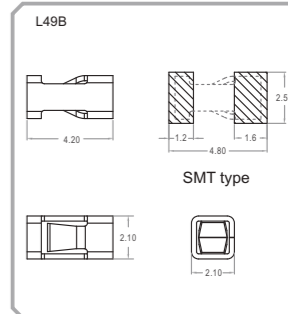
[技术参数] SPECIFICATION

- 线 数 [Poles]: 01P
- 接触电阻 [Contact resistance]: $\leq 20\text{m}\Omega$
- 绝缘电阻 [Insulation resistance]: $\geq 800\text{M}\Omega$
- 额定电压 [Rated voltage]: 250V AC DC
- 额定电流 [Rated current]: 2.0A AC DC
- 耐 电 压 [Withstand voltage]: 1500V AC/minute
- 温度范围 [Temperature range]: $-45^{\circ}\text{C} \sim +125^{\circ}\text{C}$

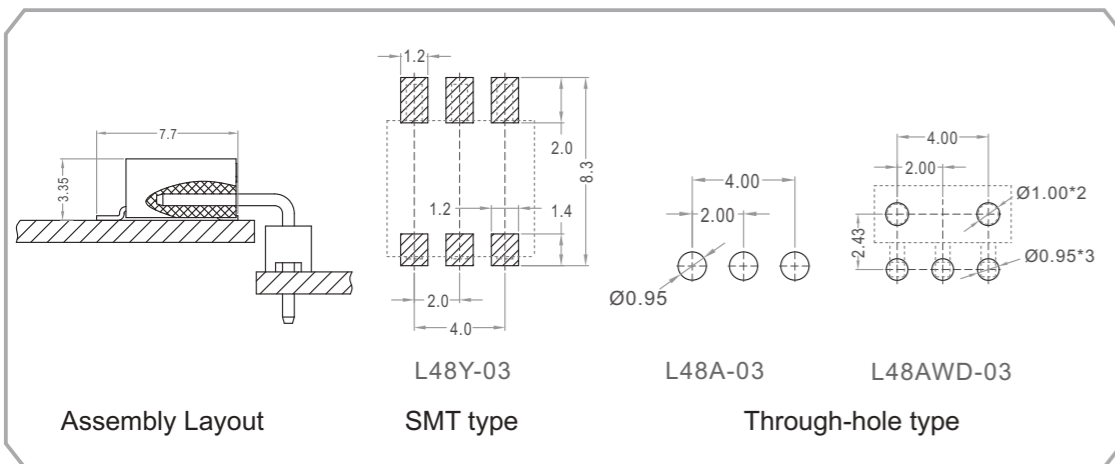
Wafer (贴片)



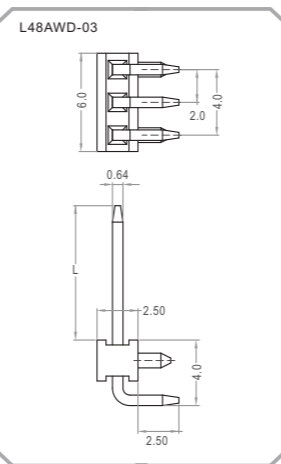
Wafer (贴片)



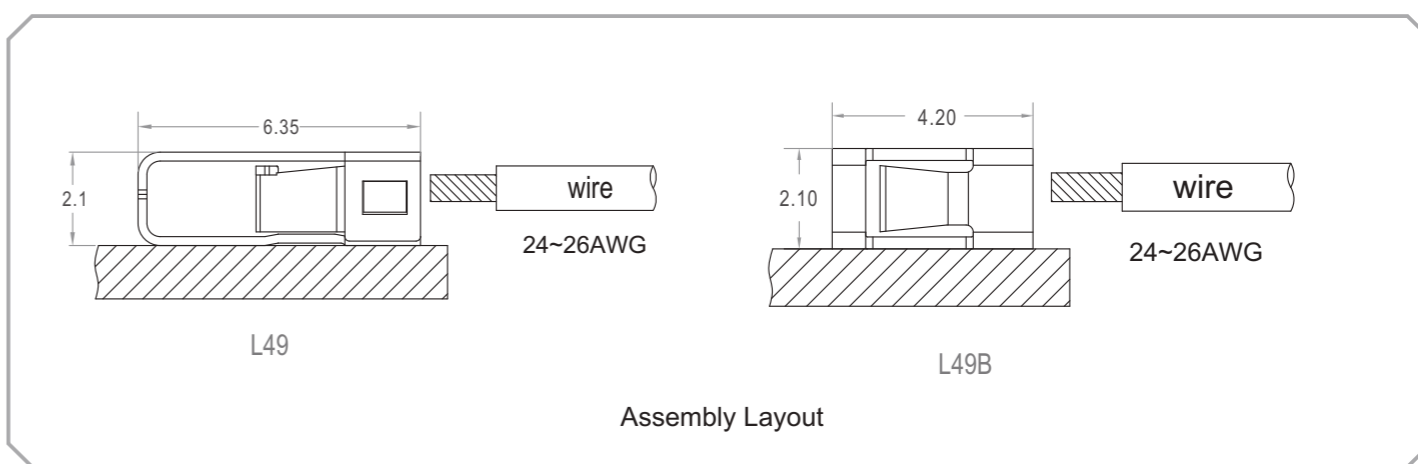
安装尺寸 Mounting Measurement

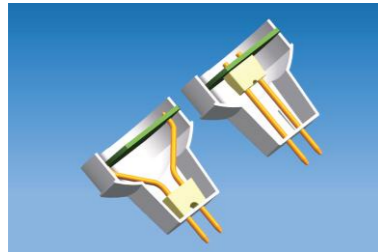


Wafer (针座)



安装尺寸 Mounting Measurement

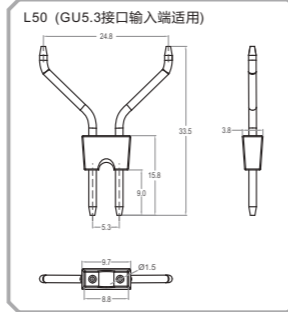




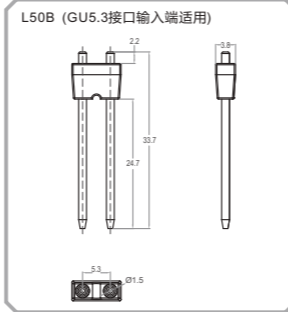
[技术参数] SPECIFICATION

- 线 数 [Poles]:02P
- 接触电阻 [Contact resistance]: $\leq 20\text{m}\Omega$
- 绝缘电阻 [Insulation resistance]: $\geq 1000\text{M}\Omega$
- 额定电压 [Rated voltage]:250V AC DC
- 额定电流 [Rated current]:3.0A AC DC
- 耐 电 压 [Withstand voltage]:1800V AC/minute
- 温度范围 [Temperature range]: $-25^{\circ}\text{C} \sim +85^{\circ}\text{C}$

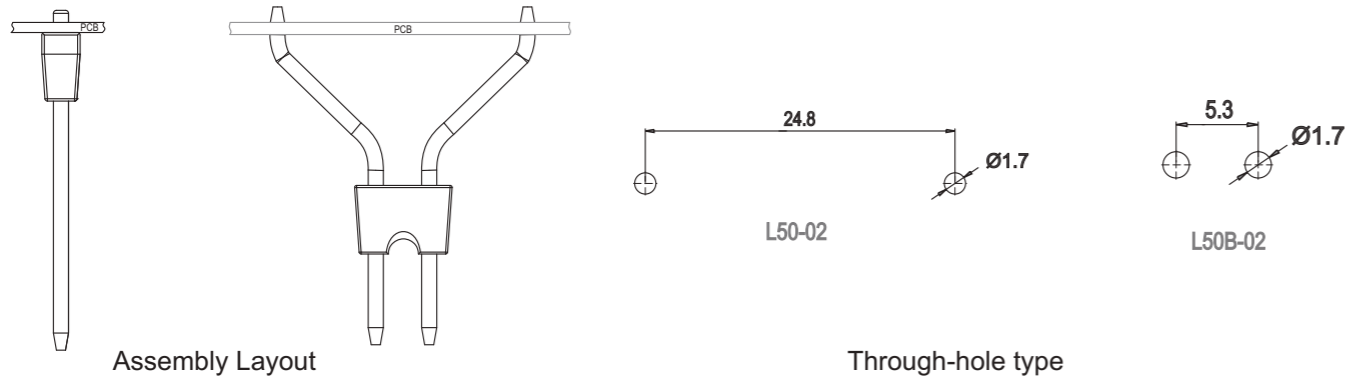
Wafer (针座)



Wafer (针座)



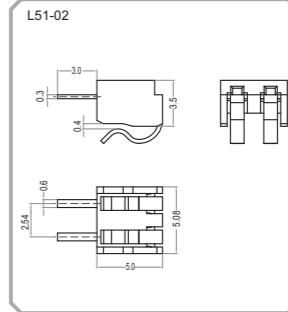
安装尺寸 Mounting Measurement



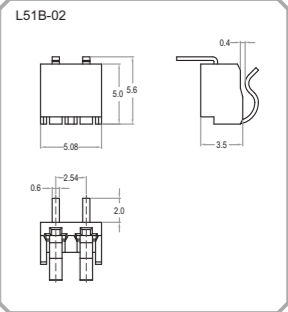
[技术参数] SPECIFICATION

- 线 数 [Poles]:02P
- 接触电阻 [Contact resistance]: $\leq 20\text{m}\Omega$
- 绝缘电阻 [Insulation resistance]: $\geq 1000\text{M}\Omega$
- 额定电压 [Rated voltage]:125V AC DC
- 额定电流 [Rated current]:1.0A AC DC
- 耐 电 压 [Withstand voltage]:1000V AC/minute
- 温度范围 [Temperature range]: $-25^{\circ}\text{C} \sim +105^{\circ}\text{C}$

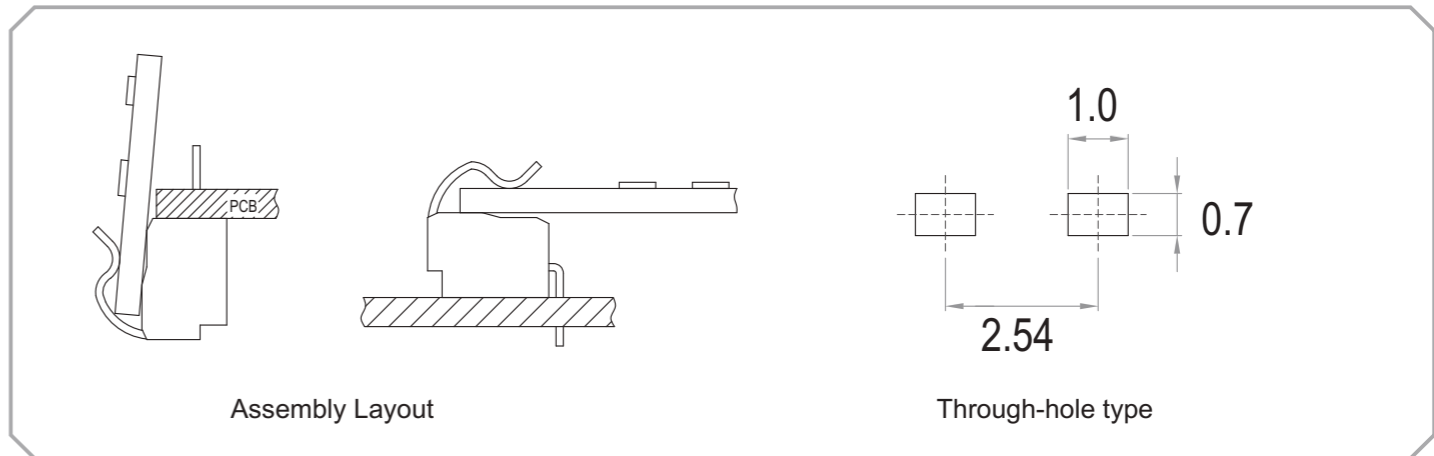
Wafer (针座)

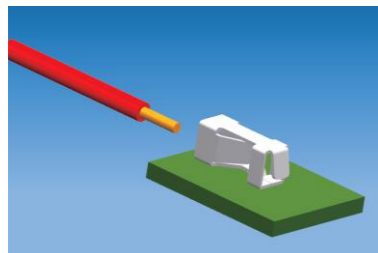


Wafer (针座)



安装尺寸 Mounting Measurement

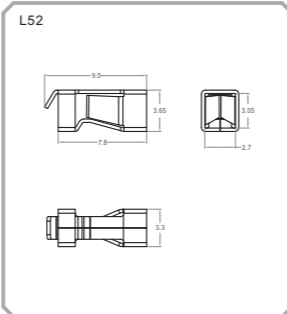




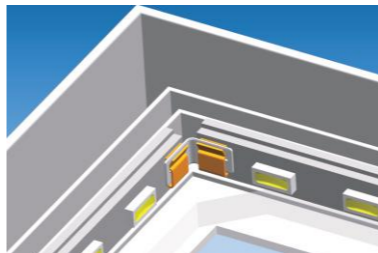
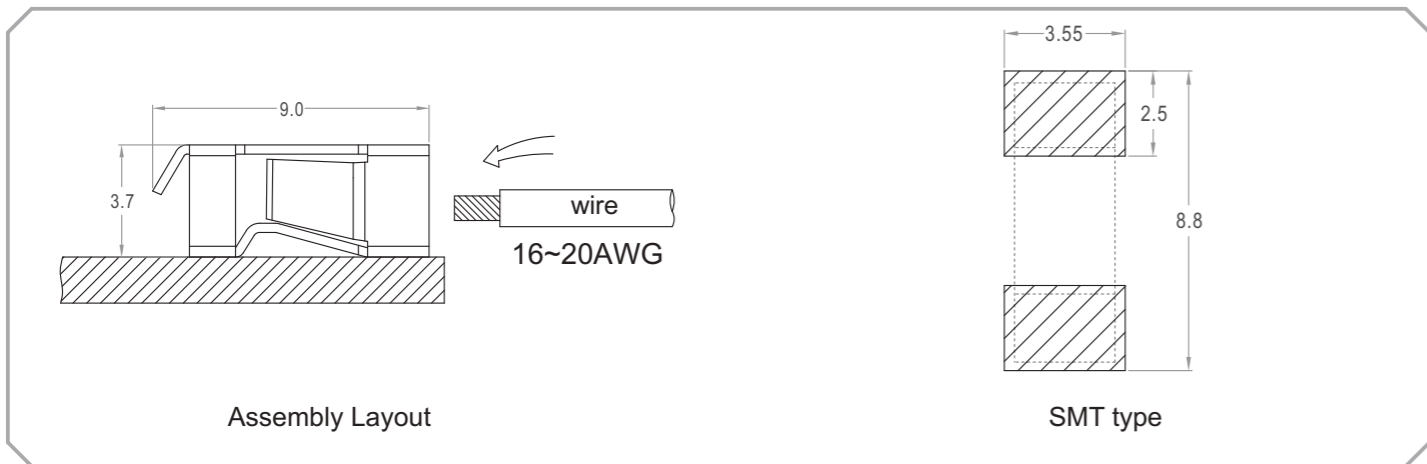
[技术参数] SPECIFICATION

- 线 数 [Poles]:01P
- 接触电阻 [Contact resistance]: $\leq 20\text{m}\Omega$
- 绝缘电阻 [Insulation resistance]: $\geq 1000\text{M}\Omega$
- 额定电压 [Rated voltage]:250V AC DC
- 额定电流 [Rated current]:3.0A AC DC
- 耐 电 压 [Withstand voltage]:1500V AC/minute
- 温度范围 [Temperature range]: $-45^{\circ}\text{C} \sim +125^{\circ}\text{C}$

Wafer (贴片)



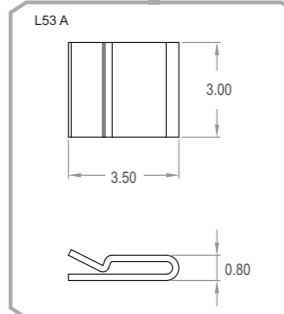
安装尺寸 Mounting Measurement



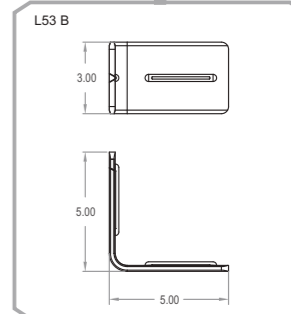
[技术参数] SPECIFICATION

- 线 数 [Poles]:01P
- 接触电阻 [Contact resistance]: $\leq 20\text{m}\Omega$
- 绝缘电阻 [Insulation resistance]: $\geq 1000\text{M}\Omega$
- 额定电压 [Rated voltage]:250V AC DC
- 额定电流 [Rated current]:2.0A AC DC
- 耐 电 压 [Withstand voltage]:1000V AC/minute
- 温度范围 [Temperature range]: $-40^{\circ}\text{C} \sim +105^{\circ}\text{C}$

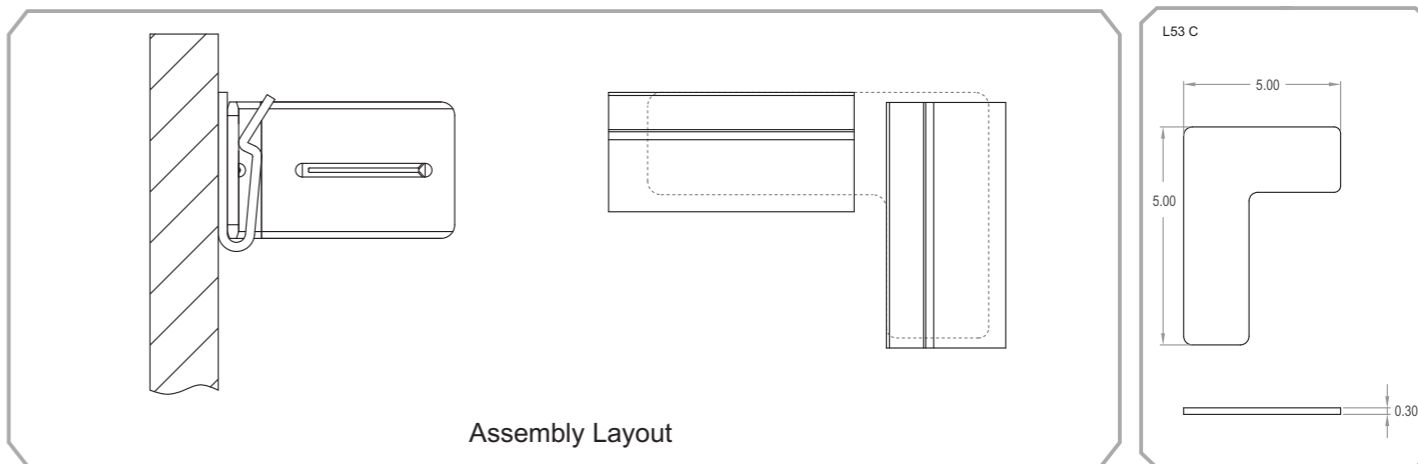
Wafer (贴片)



B to B (板对板)



安装尺寸 Mounting Measurement

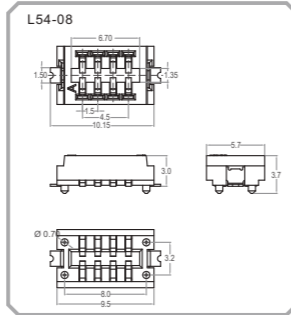




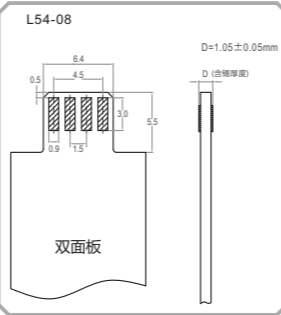
[技术参数] SPECIFICATION

- 线数 [Poles]: 04 to 12P
- 接触电阻 [Contact resistance]: $\leq 20\text{m}\Omega$
- 绝缘电阻 [Insulation resistance]: $\geq 1000\text{M}\Omega$
- 额定电压 [Rated voltage]: 125V AC DC
- 额定电流 [Rated current]: 1.0A AC DC
- 耐电压 [Withstand voltage]: 1000V AC/minute
- 温度范围 [Temperature range]: $-40^{\circ}\text{C} \sim +110^{\circ}\text{C}$

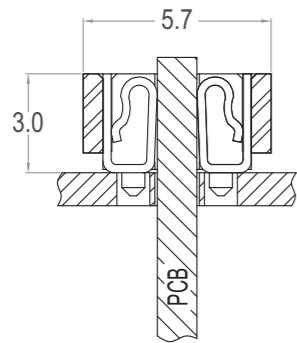
Wafer (贴片)



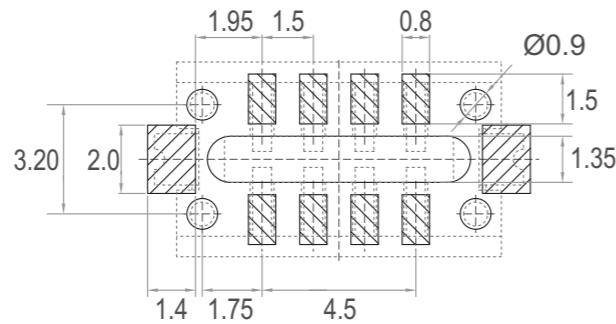
Mating PCB detail (PCB板布局)



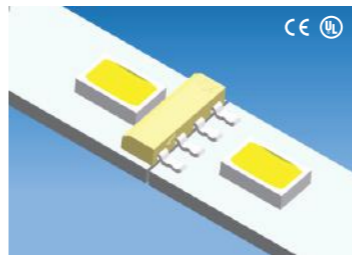
安装尺寸 Mounting Measurement



Assembly Layout



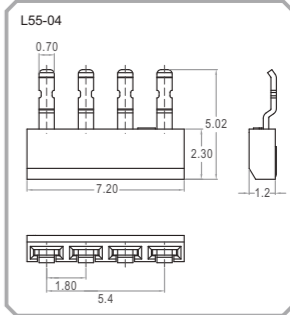
SMT type



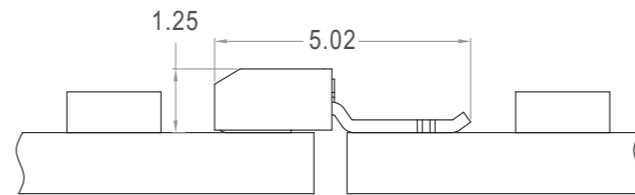
[技术参数] SPECIFICATION

- 线数 [Poles]: 02 to 04P
- 接触电阻 [Contact resistance]: $\leq 20\text{m}\Omega$
- 绝缘电阻 [Insulation resistance]: $\geq 1000\text{M}\Omega$
- 额定电压 [Rated voltage]: 125V AC DC
- 额定电流 [Rated current]: 1.0A AC DC
- 耐电压 [Withstand voltage]: 1000V AC/minute
- 温度范围 [Temperature range]: $-25^{\circ}\text{C} \sim +105^{\circ}\text{C}$

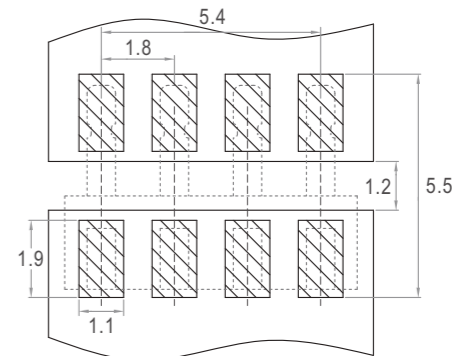
Wafer (贴片)



安装尺寸 Mounting Measurement



Assembly Layout



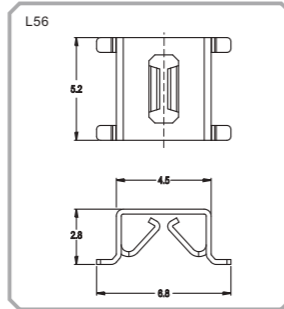
SMT type



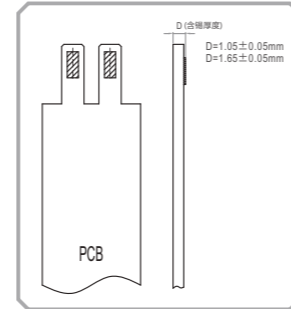
[技术参数] SPECIFICATION

- 线 数 [Poles]:01P
- 接触电阻 [Contact resistance]: $\leq 20\text{m}\Omega$
- 绝缘电阻 [Insulation resistance]: $\geq 800\text{M}\Omega$
- 额定电压 [Rated voltage]:250V AC DC
- 额定电流 [Rated current]:1.0A AC DC
- 耐 电 压 [Withstand voltage]:1500V AC/minute
- 温度范围 [Temperature range]: $-45^{\circ}\text{C} \sim +125^{\circ}\text{C}$

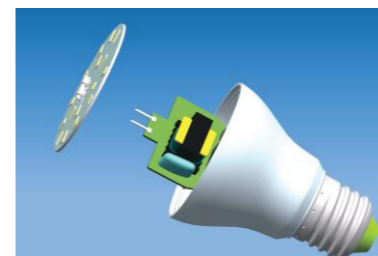
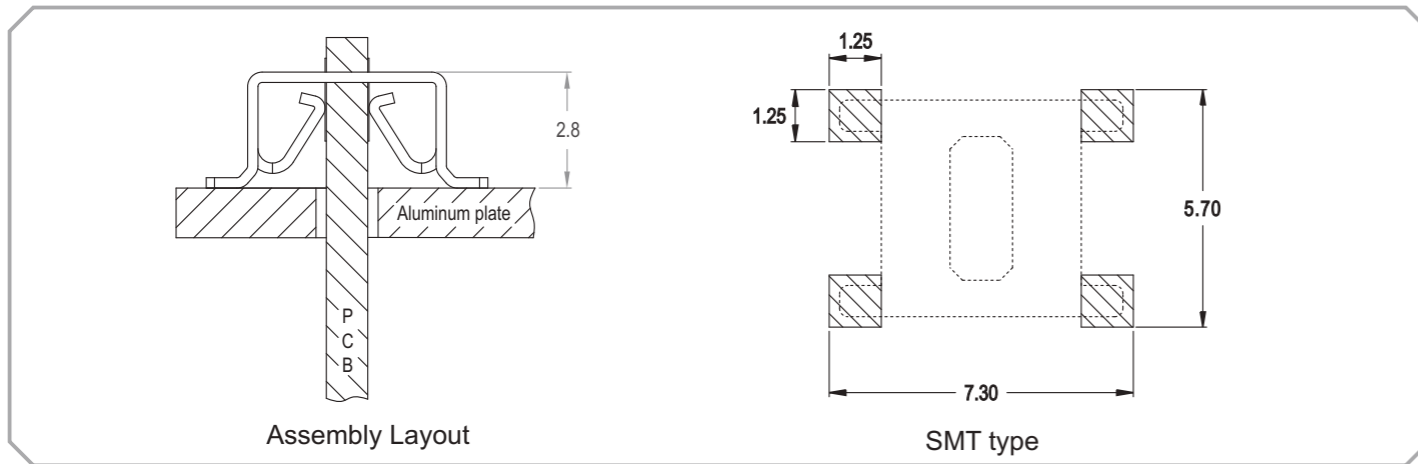
Wafer (贴片)



Mating PCB detail(PCB板布局)



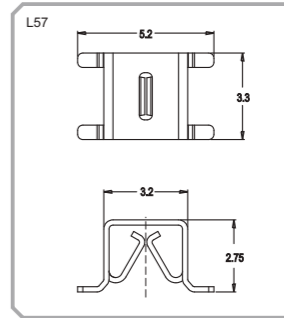
安装尺寸 Mounting Measurement



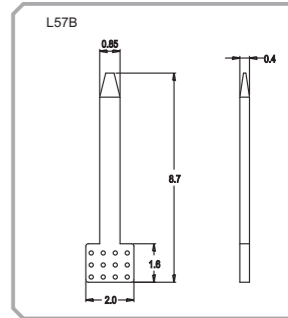
[技术参数] SPECIFICATION

- 线 数 [Poles]:01P
- 接触电阻 [Contact resistance]: $\leq 20\text{m}\Omega$
- 绝缘电阻 [Insulation resistance]: $\geq 800\text{M}\Omega$
- 额定电压 [Rated voltage]:250V AC DC
- 额定电流 [Rated current]:1.0A AC DC
- 耐 电 压 [Withstand voltage]:1500V AC/minute
- 温度范围 [Temperature range]: $-45^{\circ}\text{C} \sim +125^{\circ}\text{C}$

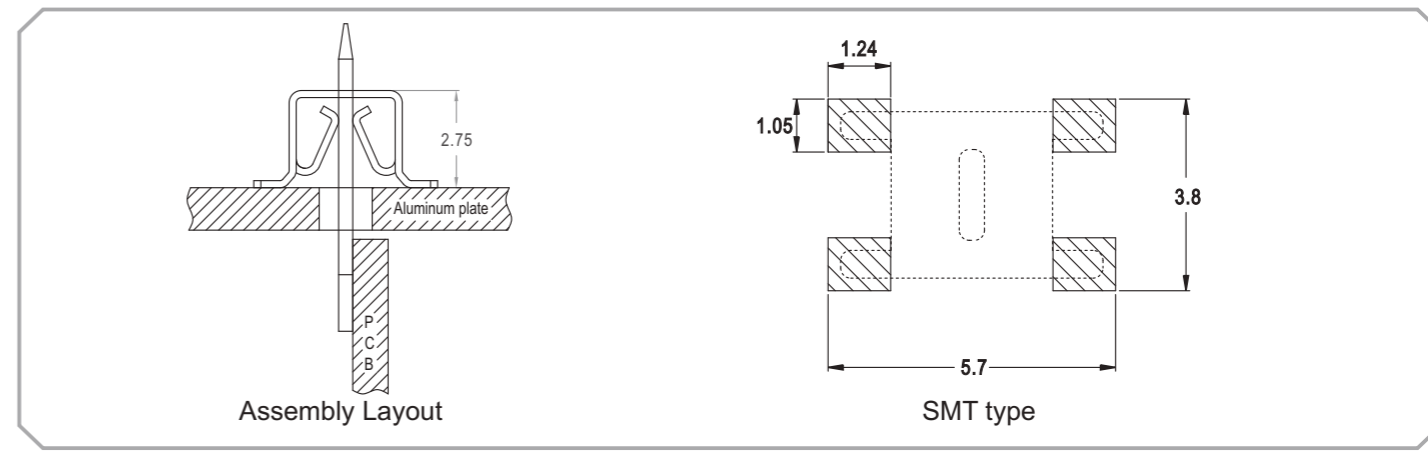
Wafer (贴片公端)



Wafer (贴片母端)



安装尺寸 Mounting Measurement

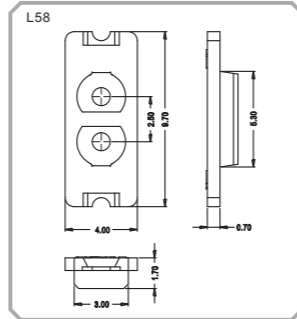




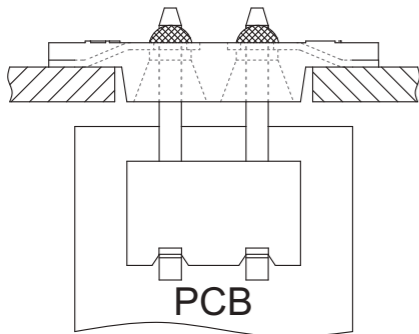
[技术参数] SPECIFICATION

- 线数 [Poles]:02P
- 接触电阻 [Contact resistance]: $\leq 20m\Omega$
- 绝缘电阻 [Insulation resistance]: $\geq 1000M\Omega$
- 额定电压 [Rated voltage]:125V AC DC
- 额定电流 [Rated current]:1.0A AC DC
- 耐电压 [Withstand voltage]:1500V AC/minute
- 温度范围 [Temperature range]:-40°C ~ +120°C

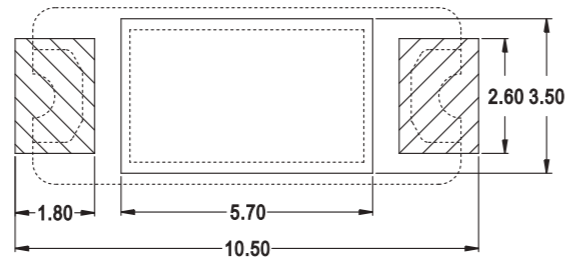
Wafer (贴片)



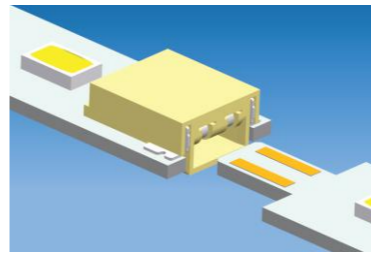
安装尺寸 Mounting Measurement



Assembly Layout



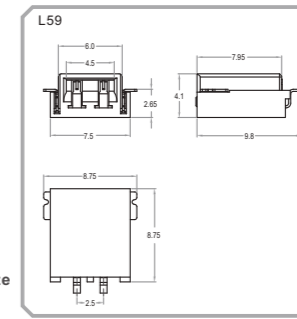
SMT type



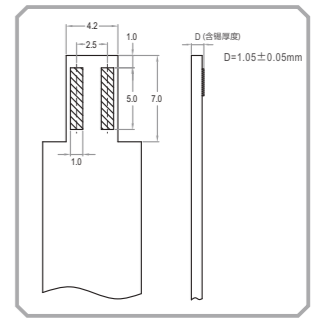
[技术参数] SPECIFICATION

- 线数 [Poles]:02P
- 接触电阻 [Contact resistance]: $\leq 20m\Omega$
- 绝缘电阻 [Insulation resistance]: $\geq 1000M\Omega$
- 额定电压 [Rated voltage]:250V AC DC
- 额定电流 [Rated current]:2.0A AC DC
- 耐电压 [Withstand voltage]:1000V AC/minute
- 温度范围 [Temperature range]:-40°C ~ +120°C

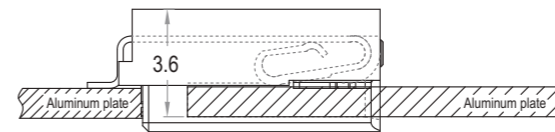
Wafer (贴片)



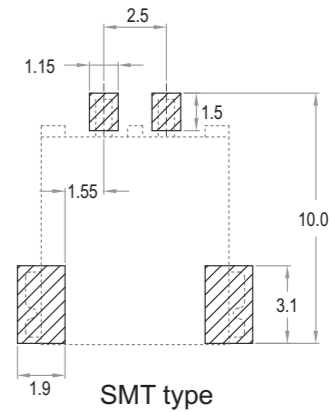
Mating PCB detail(PCB板布局)



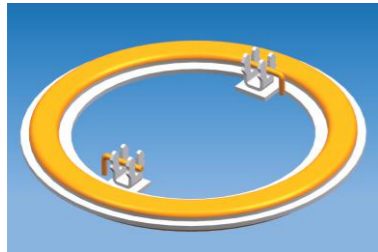
安装尺寸 Mounting Measurement



Assembly Layout



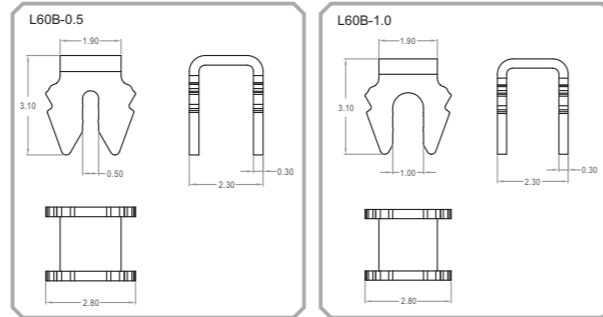
SMT type



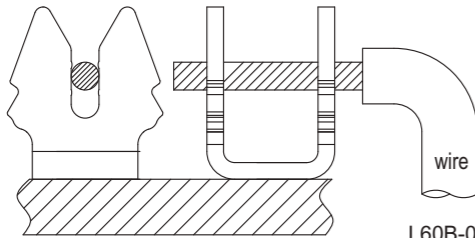
[技术参数] SPECIFICATION

- 线数 [Poles]: 01P
- 接触电阻 [Contact resistance]: $\leq 20\text{m}\Omega$
- 绝缘电阻 [Insulation resistance]: $\geq 1000\text{M}\Omega$
- 额定电压 [Rated voltage]: 250V AC DC
- 额定电流 [Rated current]: 1.0A AC DC
- 耐电压 [Withstand voltage]: 1000V AC/minute
- 温度范围 [Temperature range]: $-40^{\circ}\text{C} \sim +105^{\circ}\text{C}$

Wafer (贴片)

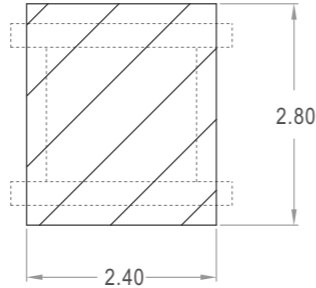


安装尺寸 Mounting Measurement

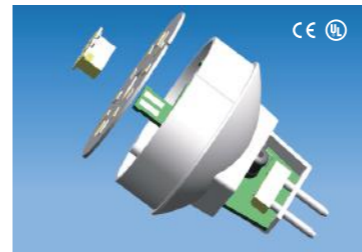


L60B-0.5 24AWG
L60B-1.0 20AWG

Assembly Layout



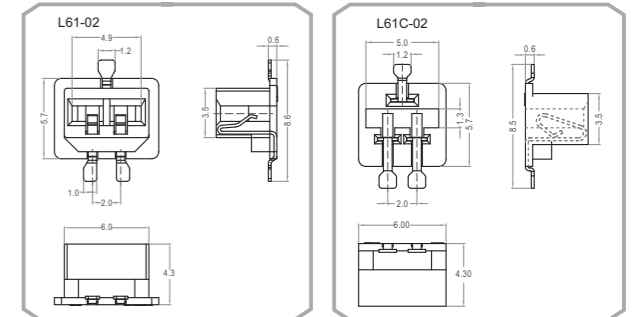
SMT type



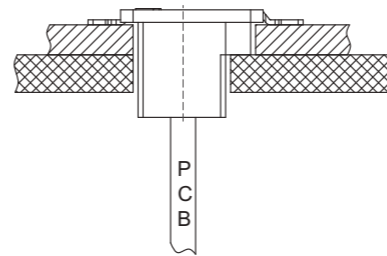
[技术参数] SPECIFICATION

- 线数 [Poles]: 02P
- 接触电阻 [Contact resistance]: $\leq 20\text{m}\Omega$
- 绝缘电阻 [Insulation resistance]: $\geq 1000\text{M}\Omega$
- 额定电压 [Rated voltage]: 125V AC DC
- 额定电流 [Rated current]: 1.0A AC DC
- 耐电压 [Withstand voltage]: 800V AC/minute
- 温度范围 [Temperature range]: $-40^{\circ}\text{C} \sim +120^{\circ}\text{C}$

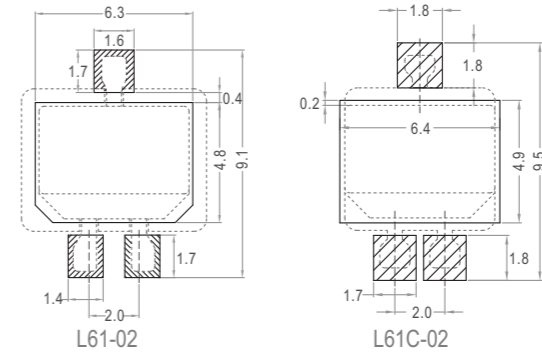
Wafer (贴片)



安装尺寸 Mounting Measurement

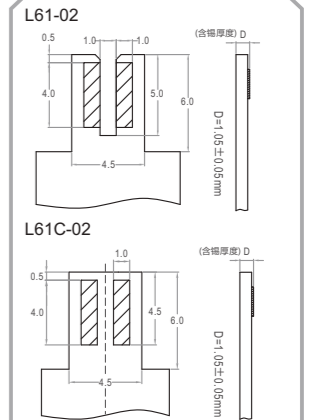


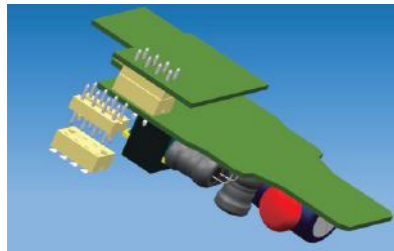
Assembly Layout



SMT type

Mating PCB detail (PCB板布局)

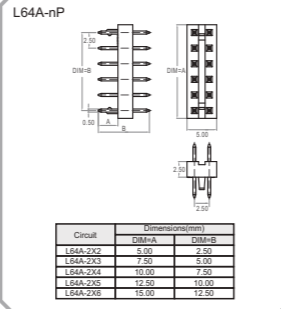




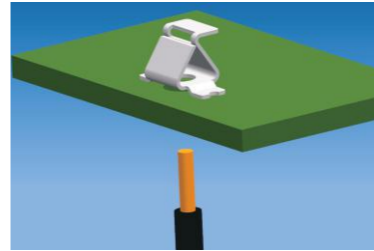
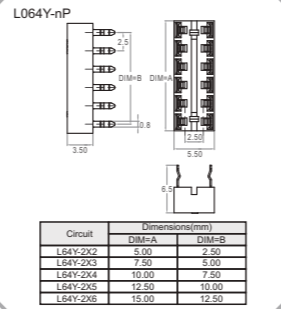
[技术参数] SPECIFICATION

- 线 数 [Poles]: 02 to 12P
- 接触电阻 [Contact resistance]: ≤20mΩ
- 绝缘电阻 [Insulation resistance]: ≥1000MΩ
- 额定电压 [Rated voltage]: 125V AC DC
- 额定电流 [Rated current]: 1.0A AC DC
- 耐 电 压 [Withstand voltage]: 1000V AC/minute
- 温度范围 [Temperature range]: -40°C ~ +110°C

Wafer (针座)



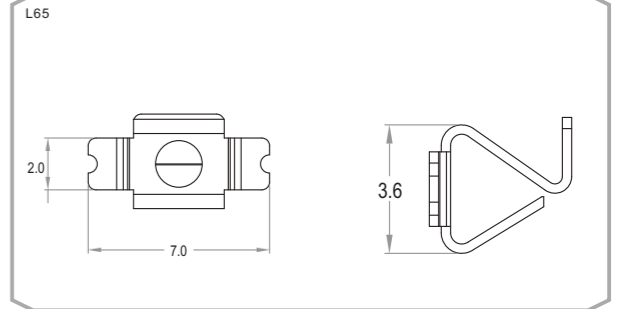
Wafer (针座)



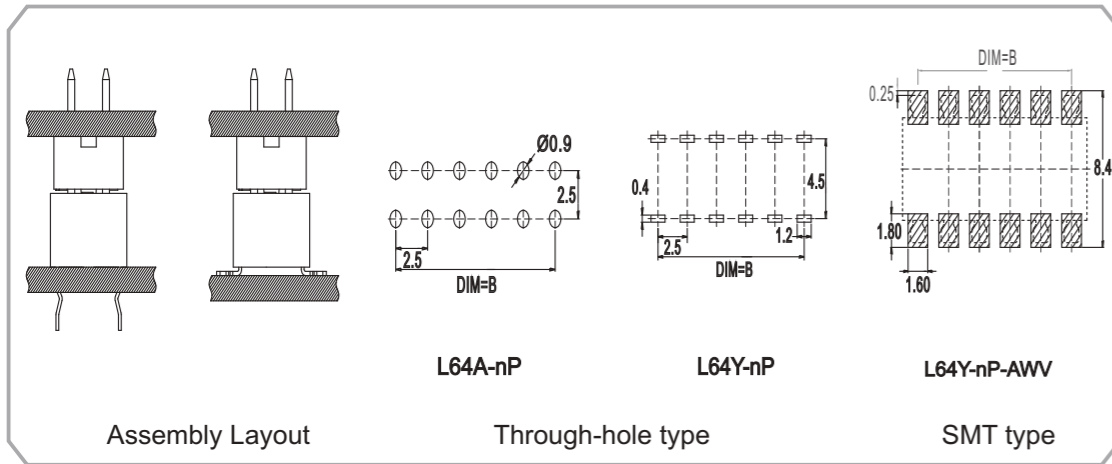
[技术参数] SPECIFICATION

- 线 数 [Poles]: 02P
- 接触电阻 [Contact resistance]: ≤20mΩ
- 绝缘电阻 [Insulation resistance]: ≥1000MΩ
- 额定电压 [Rated voltage]: 125V AC DC
- 额定电流 [Rated current]: 1.0A AC DC
- 耐 电 压 [Withstand voltage]: 1500V AC/minute
- 温度范围 [Temperature range]: -40°C ~ +120°C

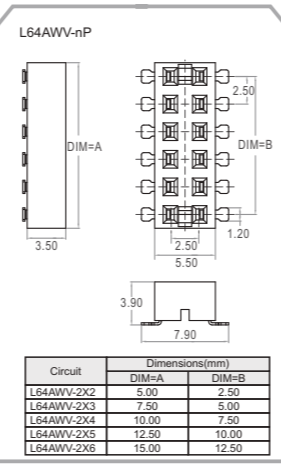
Wafer (贴片)



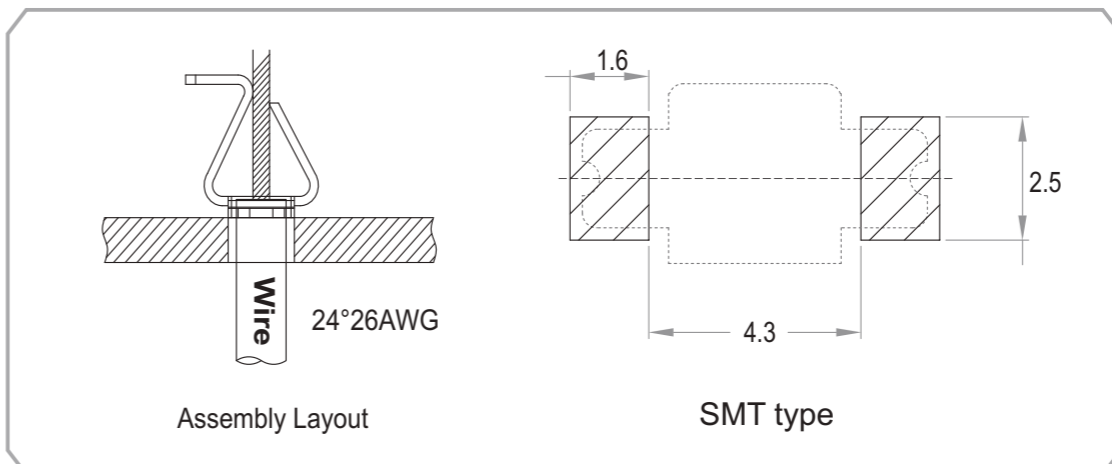
安装尺寸 Mounting Measurement



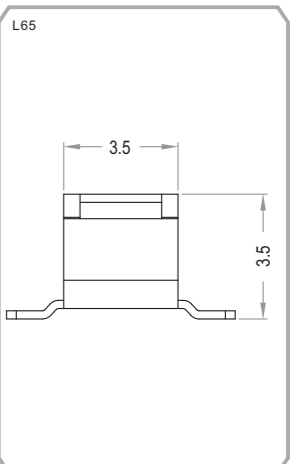
Wafer (贴片)

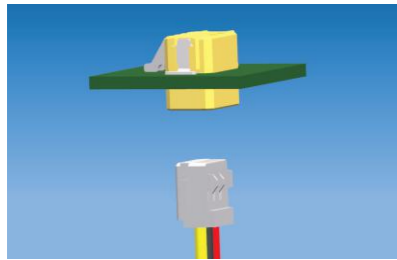


安装尺寸 Mounting Measurement



Wafer (贴片)



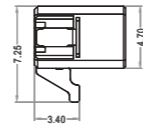
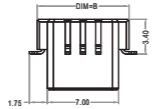
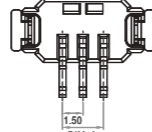


[技术参数] SPECIFICATION

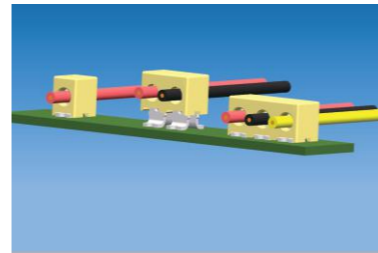
- 线数 [Poles]: 02 to 08P
- 接触电阻 [Contact resistance]: ≤20mΩ
- 绝缘电阻 [Insulation resistance]: ≥500MΩ
- 额定电压 [Rated voltage]: 50V AC DC
- 额定电流 [Rated current]: 1.5A AC DC
- 耐电压 [Withstand voltage]: 500V AC/minute
- 温度范围 [Temperature range]: -40°C ~ +120°C

Wafer (贴片)

L66AFV-03



Circuits	Dimensions(mm)	
	DIM=A	DIM=B
02	1.50	7.50
03	3.00	9.00
04	4.50	10.50
05	6.00	12.00
06	7.50	13.50
07	9.00	15.00
08	10.50	16.50

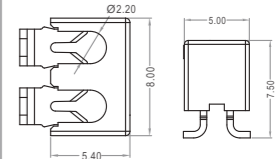
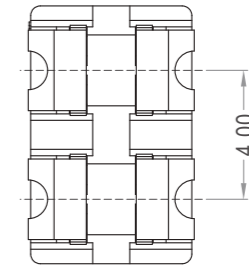


[技术参数] SPECIFICATION

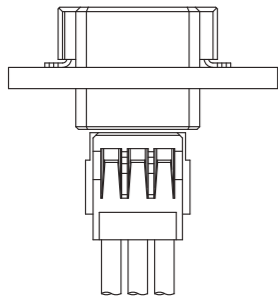
- 线数 [Poles]: 01 to 03P
- 接触电阻 [Contact resistance]: ≤20mΩ
- 绝缘电阻 [Insulation resistance]: ≥800MΩ
- 额定电压 [Rated voltage]: 250V AC DC
- 额定电流 [Rated current]: 2.0A AC DC
- 耐电压 [Withstand voltage]: 1500V AC/minute
- 温度范围 [Temperature range]: -40°C ~ +120°C

Wafer (贴片)

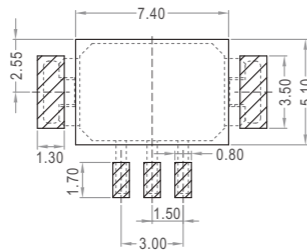
L67



安装尺寸 Mounting Measurement



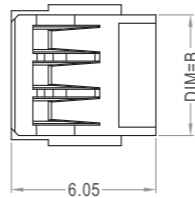
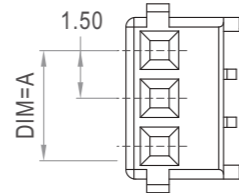
Assembly Layout



SMT type

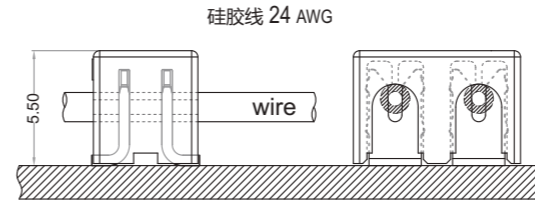
Housing (壳体)

L66Y-03

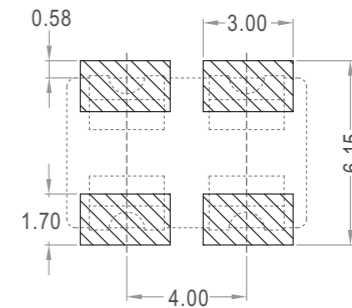


Circuits	Dimensions(mm)	
	DIM=A	DIM=B
02	1.50	3.55
03	3.00	5.05
04	4.50	6.55
05	6.00	8.05
06	7.50	9.55
07	9.00	11.05
08	10.50	12.55

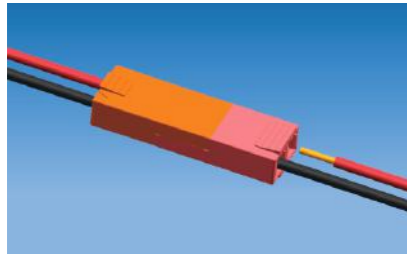
安装尺寸 Mounting Measurement



Assembly Layout



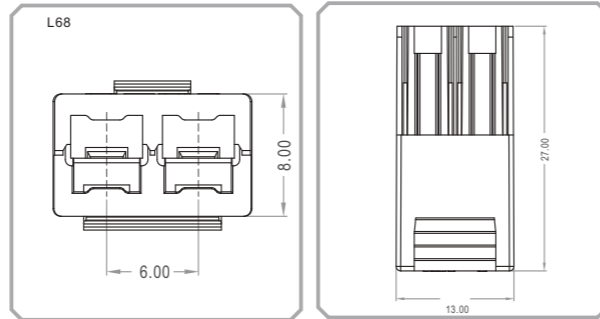
SMT type



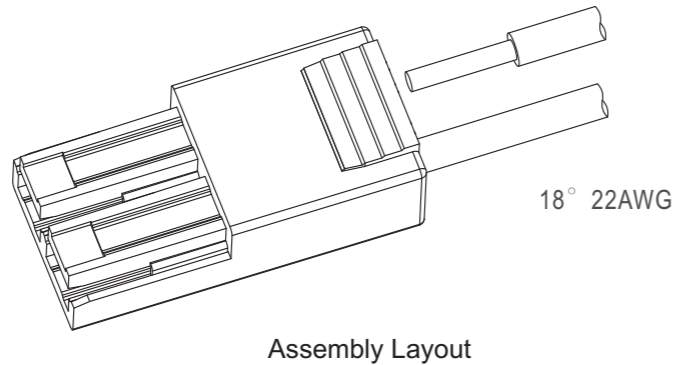
[技术参数] SPECIFICATION

- 线 数 [Poles]:02P
- 接触电阻 [Contact resistance]: $\leq 25m\Omega$
- 绝缘电阻 [Insulation resistance]: $\geq 1000M\Omega$
- 额定电压 [Rated voltage]:600V AC DC
- 额定电流 [Rated current]:3.0A AC DC
- 耐 电 压 [Withstand voltage]:2200V AC/minute
- 温度范围 [Temperature range]:-40°C ~ +105°C

Wire to Wire(线对线)



安装尺寸 Mounting Measurement



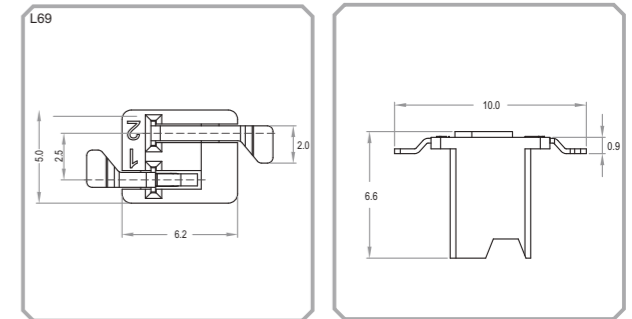
Assembly Layout



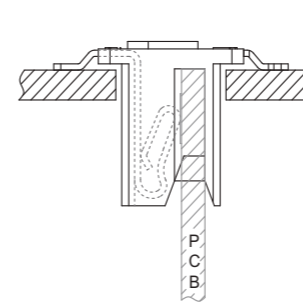
[技术参数] SPECIFICATION

- 线 数 [Poles]:02P
- 接触电阻 [Contact resistance]: $\leq 20m\Omega$
- 绝缘电阻 [Insulation resistance]: $\geq 1000M\Omega$
- 额定电压 [Rated voltage]:250V AC DC
- 额定电流 [Rated current]:1.0A AC DC
- 耐 电 压 [Withstand voltage]:1000V AC/minute
- 温度范围 [Temperature range]:-40°C ~ +120°C

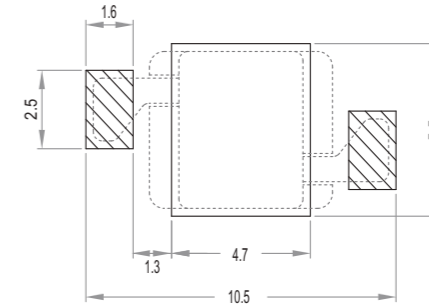
Wafer (贴片)



安装尺寸 Mounting Measurement

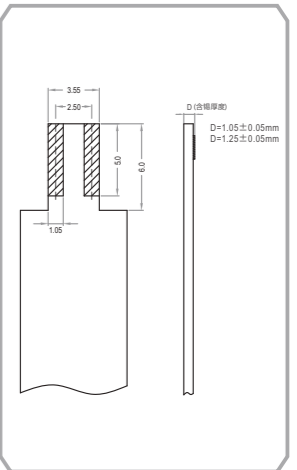


Assembly Layout



SMT type

Mating PCB detail(PCB板布局)

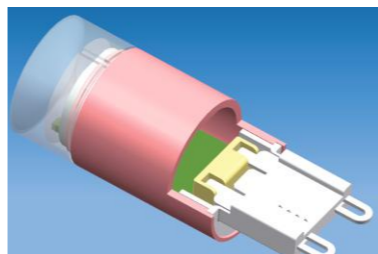
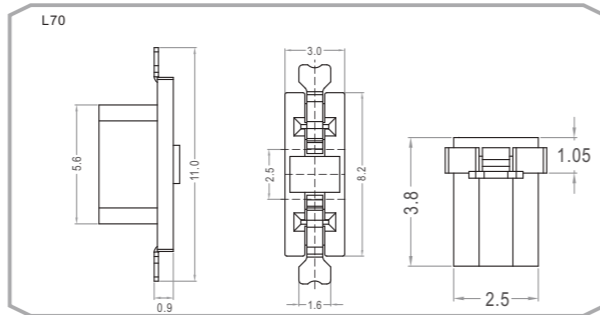




[技术参数] SPECIFICATION

- 线 数 [Poles]:02P
- 接触电阻 [Contact resistance]: $\leq 20\text{m}\Omega$
- 绝缘电阻 [Insulation resistance]: $\geq 1000\text{M}\Omega$
- 额定电压 [Rated voltage]:125V AC DC
- 额定电流 [Rated current]:1.0A AC DC
- 耐 电 压 [Withstand voltage]:1500V AC/minute
- 温度范围 [Temperature range]: $-40^{\circ}\text{C} \sim +120^{\circ}\text{C}$

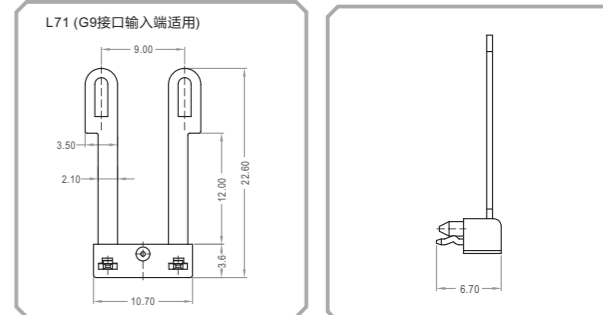
Wafer (贴片)



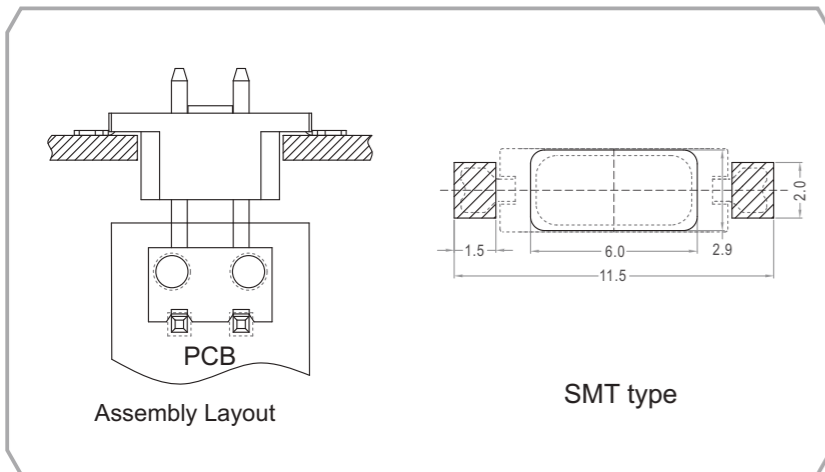
[技术参数] SPECIFICATION

- 线 数 [Poles]:02P
- 接触电阻 [Contact resistance]: $\leq 20\text{m}\Omega$
- 绝缘电阻 [Insulation resistance]: $\geq 1000\text{M}\Omega$
- 额定电压 [Rated voltage]:250V AC DC
- 额定电流 [Rated current]:3.0A AC DC
- 耐 电 压 [Withstand voltage]:3000V AC/minute
- 温度范围 [Temperature range]: $-40^{\circ}\text{C} \sim +120^{\circ}\text{C}$

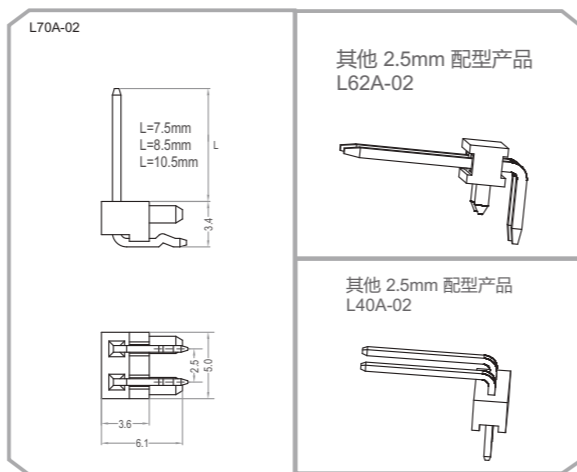
Wafer (针座)



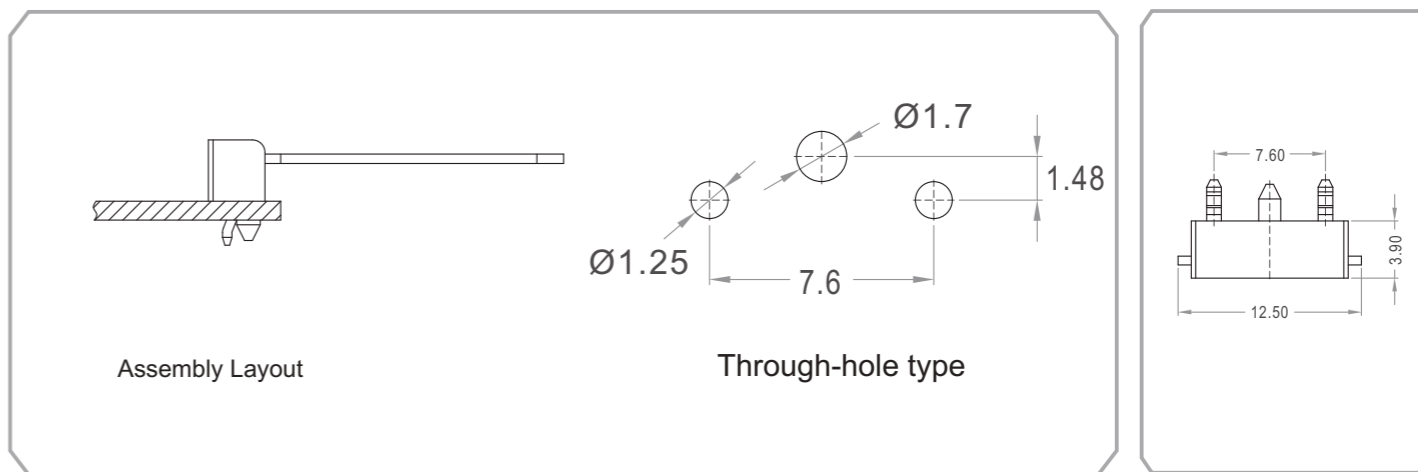
安装尺寸 Mounting Measurement

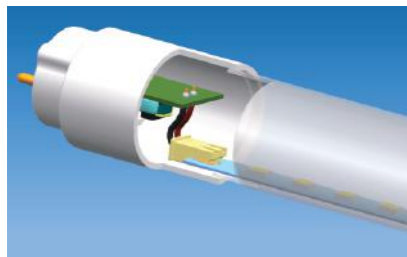


Wafer (针座)



安装尺寸 Mounting Measurement

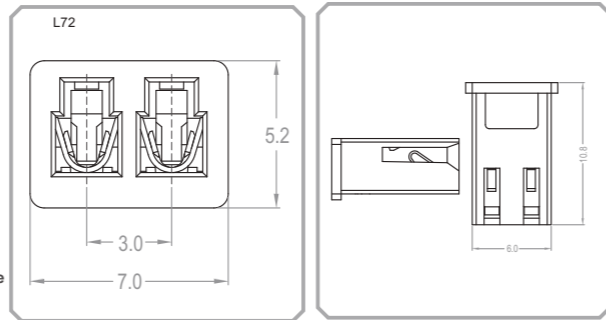




[技术参数] SPECIFICATION

- 线数 [Poles]: 02P
- 接触电阻 [Contact resistance]: $\leq 20\text{m}\Omega$
- 绝缘电阻 [Insulation resistance]: $\geq 1000\text{M}\Omega$
- 额定电压 [Rated voltage]: 250V AC DC
- 额定电流 [Rated current]: 3.0A AC DC
- 耐电压 [Withstand voltage]: 1500V AC/minute
- 温度范围 [Temperature range]: $-40^{\circ}\text{C} \sim +110^{\circ}\text{C}$

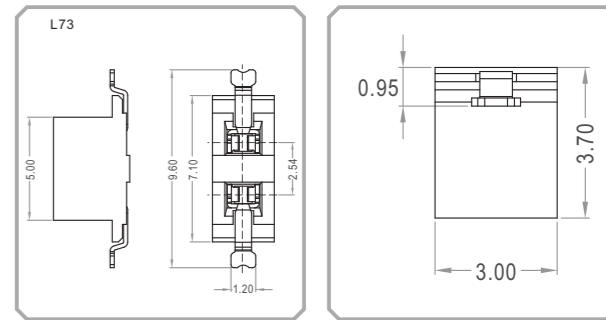
Housing(壳体)



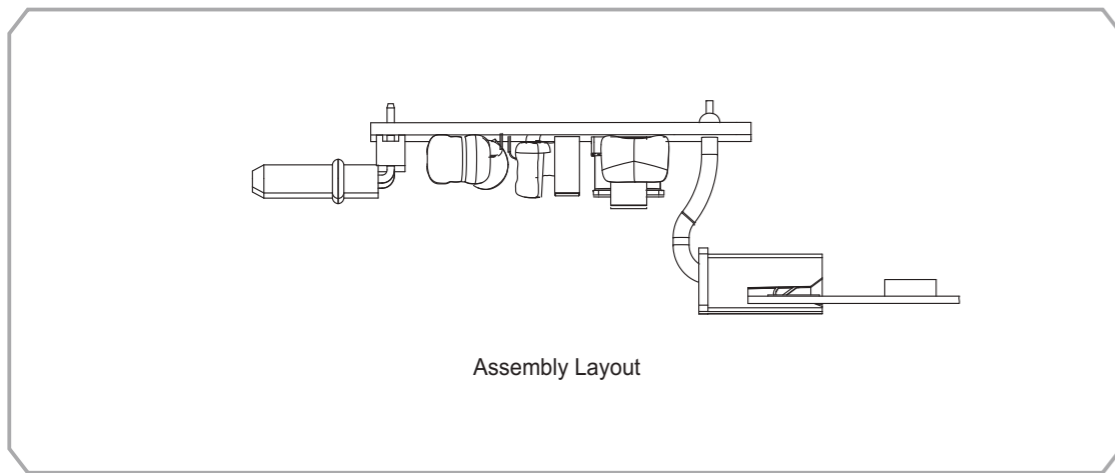
[技术参数] SPECIFICATION

- 线数 [Poles]: 02P
- 接触电阻 [Contact resistance]: $\leq 20\text{m}\Omega$
- 绝缘电阻 [Insulation resistance]: $\geq 1000\text{M}\Omega$
- 额定电压 [Rated voltage]: 125V AC DC
- 额定电流 [Rated current]: 1.0A AC DC
- 耐电压 [Withstand voltage]: 1500V AC/minute
- 温度范围 [Temperature range]: $-40^{\circ}\text{C} \sim +120^{\circ}\text{C}$

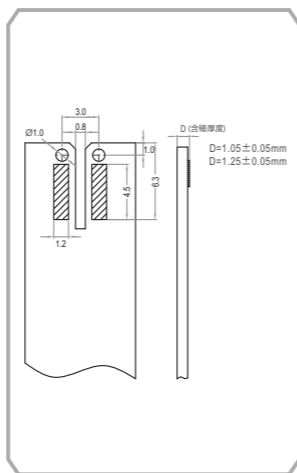
Wafer (贴片)



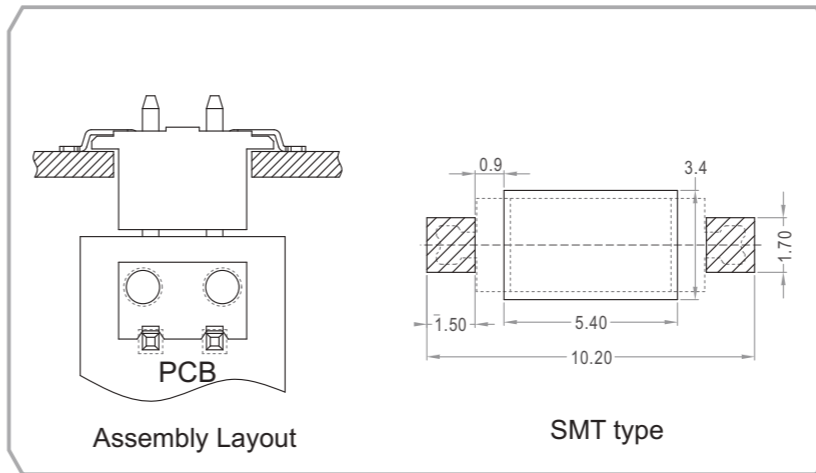
安装尺寸 Mounting Measurement



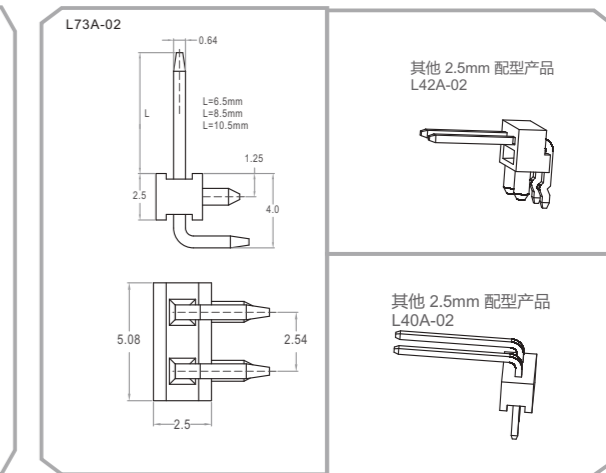
Mating PCB detail(PCB板布局)



安装尺寸 Mounting Measurement



Wafer (针座)

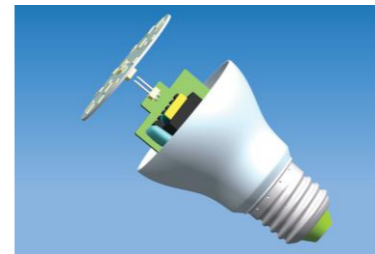
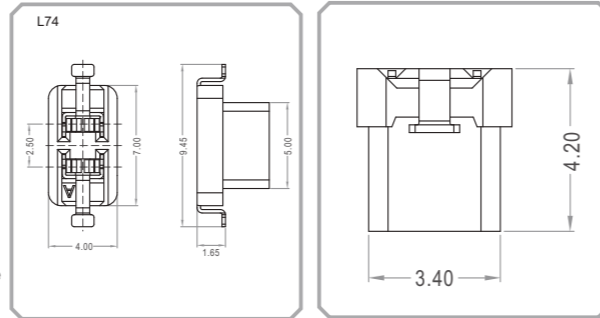




[技术参数] SPECIFICATION

- 线 数 [Poles]:02P
- 接触电阻 [Contact resistance]: $\leq 20\text{m}\Omega$
- 绝缘电阻 [Insulation resistance]: $\geq 1000\text{M}\Omega$
- 额定电压 [Rated voltage]:125V AC DC
- 额定电流 [Rated current]:1.0A AC DC
- 耐 电 压 [Withstand voltage]:1500V AC/minute
- 温度范围 [Temperature range]: $-40^{\circ}\text{C} \sim +120^{\circ}\text{C}$

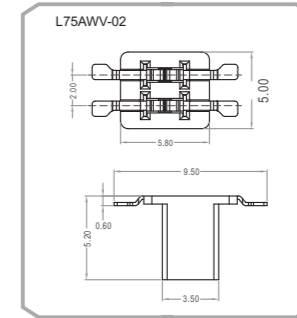
Wafer (贴片)



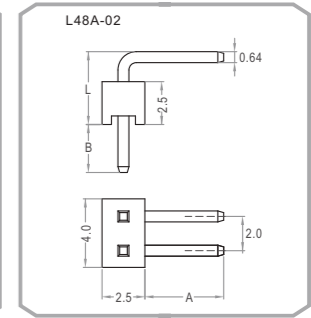
[技术参数] SPECIFICATION

- 线 数 [Poles]:02P
- 接触电阻 [Contact resistance]: $\leq 20\text{m}\Omega$
- 绝缘电阻 [Insulation resistance]: $\geq 1000\text{M}\Omega$
- 额定电压 [Rated voltage]:125V AC DC
- 额定电流 [Rated current]:1.0A AC DC
- 耐 电 压 [Withstand voltage]:1000V AC/minute
- 温度范围 [Temperature range]: $-40^{\circ}\text{C} \sim +120^{\circ}\text{C}$

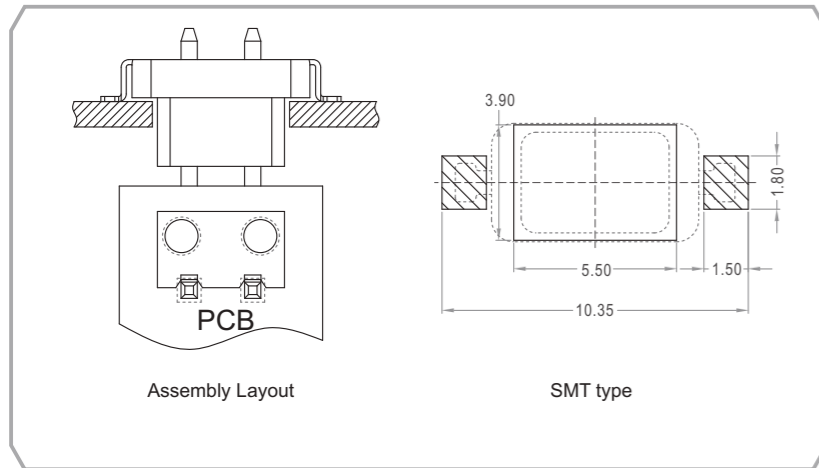
Wafer (贴片)



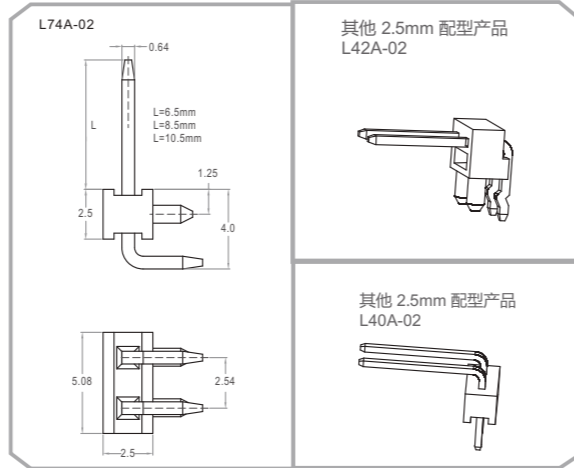
Wafer (针座)



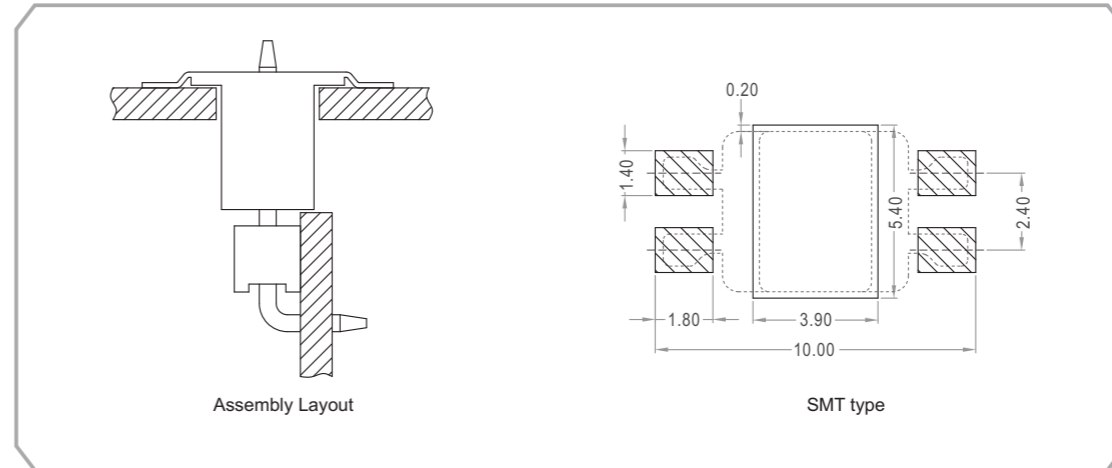
安装尺寸 Mounting Measurement



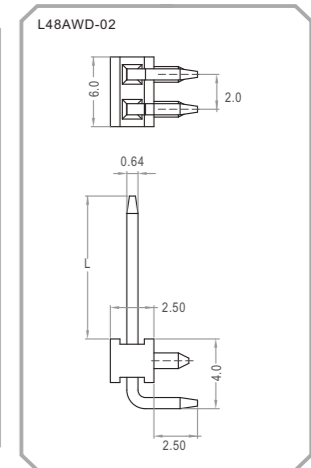
Wafer (针座)

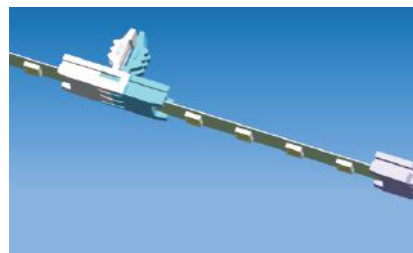


安装尺寸 Mounting Measurement



Wafer (针座)

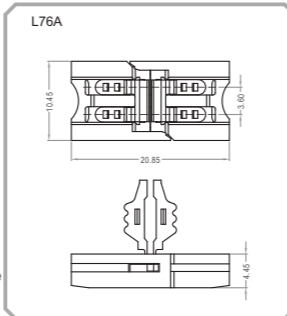




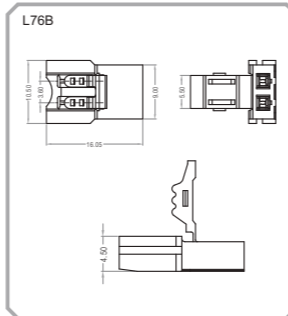
[技术参数] SPECIFICATION

- 线数 [Poles]: 02P
- 接触电阻 [Contact resistance]: $\leq 20m\Omega$
- 绝缘电阻 [Insulation resistance]: $\geq 1000M\Omega$
- 额定电压 [Rated voltage]: 250V AC DC
- 额定电流 [Rated current]: 2.0A AC DC
- 耐电压 [Withstand voltage]: 1000V AC/minute
- 温度范围 [Temperature range]: $-25^{\circ}C \sim +85^{\circ}C$

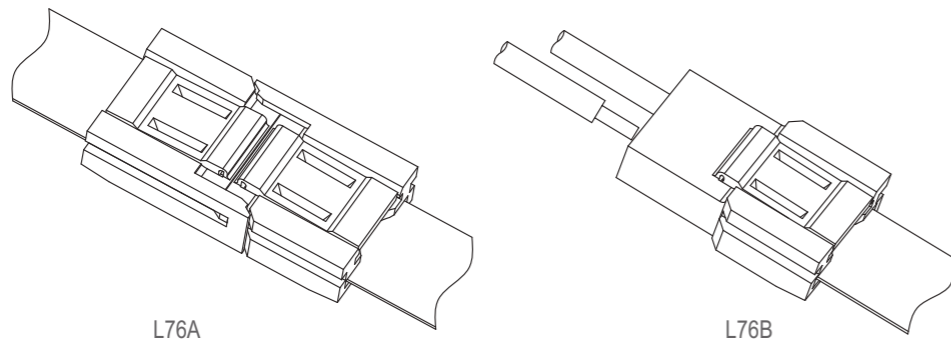
Board to Board (板对板)



Wire to Board (线对板)



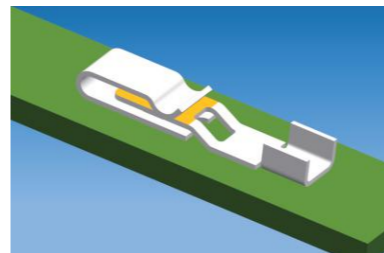
安装尺寸 Mounting Measurement



L76A

L76B

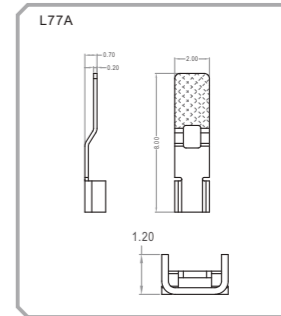
Assembly Layout



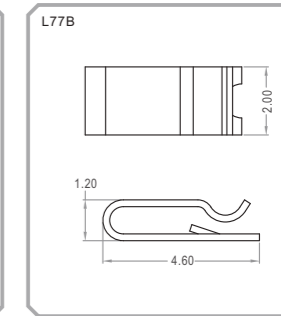
[技术参数] SPECIFICATION

- 线数 [Poles]: 01P
- 接触电阻 [Contact resistance]: $\leq 20m\Omega$
- 绝缘电阻 [Insulation resistance]: $\geq 800M\Omega$
- 额定电压 [Rated voltage]: 250V AC DC
- 额定电流 [Rated current]: 3.0A AC DC
- 耐电压 [Withstand voltage]: 1500V AC/minute
- 温度范围 [Temperature range]: $-45^{\circ}C \sim +125^{\circ}C$

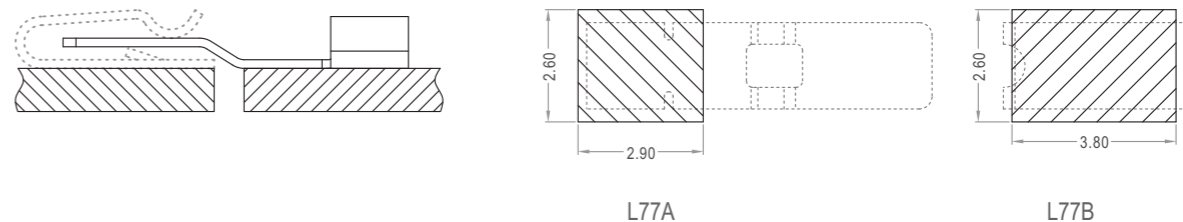
Wafer (贴片公端)



Wafer (贴片母端)



安装尺寸 Mounting Measurement



L77A

L77B

Assembly Layout

SMT type

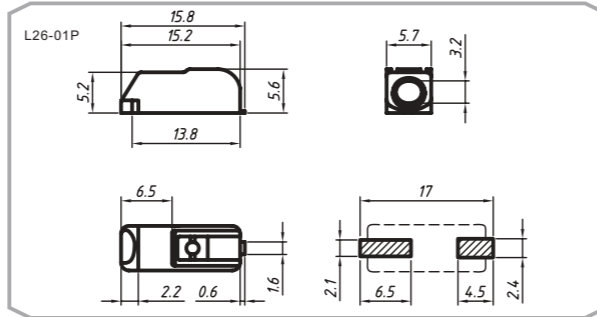


Pitch:6.0mm

[技术参数] SPECIFICATION

- 线 数 [Poles]:01-03P
- 温度范围 [Temperature range]:-25°C ~ +85°C
- 额定电压 [Rated voltage]:250V
- 额定电流 [Rated current]:12A AC DC
- 耐 电 压 [Withstand voltage]:2000V 1.2 / 50US
- 耐 电 压 [Withstand voltage]:AC2500V, 1minutes

LED Connector Pitch 6.00mm

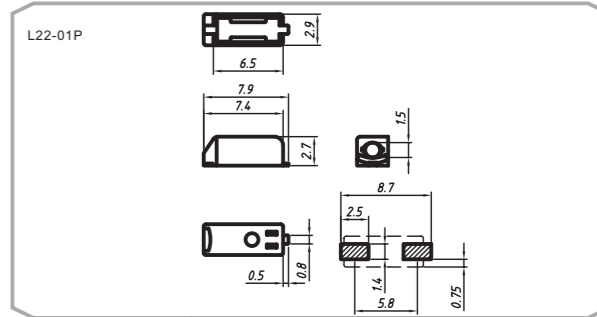


Pitch:3.0mm

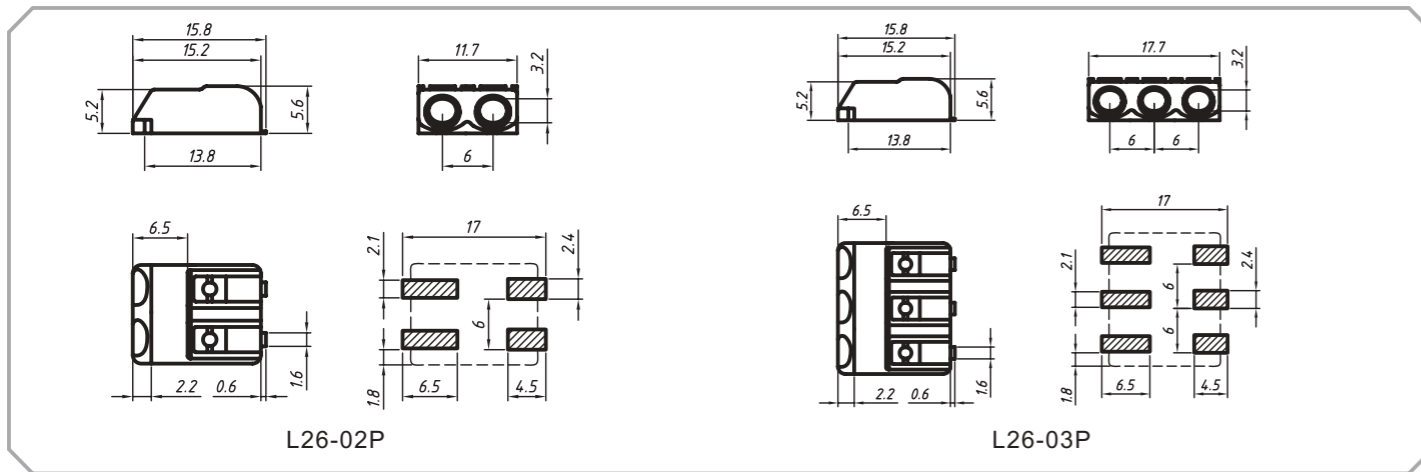
[技术参数] SPECIFICATION

- 线 数 [Poles]:01-03P
- 温度范围 [Temperature range]:-25°C ~ +85°C
- 额定电压 [Rated voltage]:250V
- 额定电流 [Rated current]:12A AC DC
- 耐 电 压 [Withstand voltage]:2000V 1.2 / 50US
- 耐 电 压 [Withstand voltage]:AC2500V, 1minutes

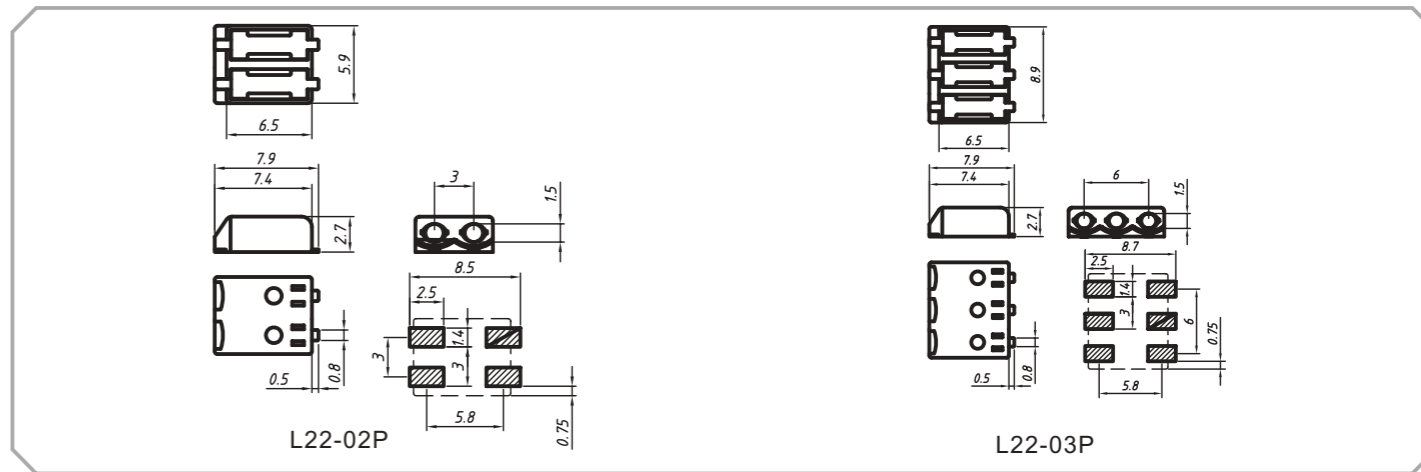
LED Connector Pitch 3.00mm



安装尺寸 Mounting Measurement



安装尺寸 Mounting Measurement





KLS2-LH2-E1013
Parameter:
Brass,Nickel plated



KLS2-LH2-E1420
Parameter:
Brass,Nickel plated



KLS2-LH2-E11
Parameter:
Brass,Nickel plated



KLS2-LH2-E1420-W
Parameter:
Brass,Washing



KLS2-LH2-E1215
Parameter:
Brass,Nickel plated



KLS2-LH2-E1420AL-W
Parameter:
Aluminum,Washing



KLS2-LH2-E1215-W
Parameter:
Brass,Washing



KLS2-LH2-E1720
Parameter:
Brass,Nickel plated



KLS2-LH2-E1215AL
Parameter:
Brass,Washing



KLS2-LH2-E14-25*17
Parameter:
Brass,Nickel plated



KLS2-LH2-E14-25*17-W
Parameter:
Brass,Washing



KLS2-LH2-E2625
Parameter:
Brass,Nickel plated



KLS2-LH2-E14-25*17AL-W
Parameter:
Aluminum,Washing



KLS2-LH2-E27AL
Parameter:
Aluminum,Nickel plated



KLS2-LH2-E12-20*15
Parameter:
Brass,Nickel plated



KLS2-LH2-E4041
Parameter:
Ceramic lamp cap,
Brass/Iron,Nickel plated



KLS2-LH2-E27AL-W
Parameter:
Aluminum,Washing



KLS2-LH2-E4045
Parameter:
Ceramic lamp cap,
Brass/Iron,Nickel plated



KLS2-LH2-E27
Parameter:
Brass,Nickel plated



KLS2-LH2-E4041-NP
Parameter:
Solder free lamp cap,
Brass/Iron,Nickel plated



KLS2-LH2-E14-25*17-NP
Parameter:
 Solder free lamp cap,
 Brass/Iron/Aluminum,Nickel plated



KLS2-LH2-E2727IR-NP
Parameter:
 Solder free lamp cap,
 Iron,Nickel plated



KLS2-LH2-E14-25*17-NP-W
Parameter:
 Solder free lamp cap,
 Brass,Washing



KLS2-LH2-E2727-Four
Parameter:
 Solder free lamp cap,
 Brass/Iron/Aluminum,Nickel plated



KLS2-LH2-E2625-NP
Parameter:
 Solder free lamp cap,
 Brass/Iron,Nickel plated



KLS2-LH2-E27AL-NP-W
Parameter:
 Solder free lamp cap,
 Aluminum,Washing



KLS2-LH2-E2727-NP
Parameter:
 Solder free lamp cap,
 Brass/Iron/Aluminum,Nickel plated



KLS2-LH2-B22
Parameter:
 Solder free lamp cap,
 Iron,Nickel plated



KLS2-LH2-E2727-NP-W
Parameter:
 Solder free lamp cap,
 Brass,Washing



KLS2-LH2-B22-Q
Parameter:
 Solder free lamp cap,
 Iron/Aluminum,Nickel plated



KLS2-LH2-E10-S-W
Parameter:
 Lamp socket,
 Brass,Washing



KLS2-LH2-E12-S-W
Parameter:
 Lamp socket,
 Brass,Washing



KLS2-LH2-E10-TS
Parameter:
 Lamp socket,
 Brass,Nickel plated



KLS2-LH2-E12-TS-W
Parameter:
 Lamp socket,
 Brass,Washing



KLS2-LH2-E10-W
Parameter:
 Lamp socket,
 Brass,Washing



KLS2-LH2-E12-W
Parameter:
 Lamp socket,
 Brass,Washing



KLS2-LH2-ES1024
Parameter:
 Lamp socket,Brass,
 Nickel plated



KLS2-LH2-E14-TS-W
Parameter:
 Lamp socket,
 Brass,Washing



KLS2-LH2-ES1024-S
Parameter:
 Lamp socket,Brass,
 Nickel plated



KLS2-LH2-E26-2
Parameter:
 Lamp socket,Double opening,
 Brass/Iron,Nickel plated



ISO9001:2008

Your Best Components Sourcing

KLS ELECTRONIC CO.,LTD.



www.cnkls.com

www.klsele.com

Tel: +86-0574-86828566

Fax: +86-0574-86824882

Add: NO. 8-1 RongxiaRd, Xiapu Shanqian IndustrialArea Belun Ningbo Zhejiang,China
Postal:315807 315800

Design: Kandy, Rick, Roland, Bella, Wendy, Li Yani, Yan Limei, Wang Ye, Tian Ruili, Li Jun