

# PRODUCT SPECIFICATION

**Model No.: FYL-5013ED1C**

| Descriptions:  |
|--|
| <ul style="list-style-type: none"> <li>■ Dice material: GaAsP.</li> <li>■ Emitting Color: Orange.</li> <li>■ Device Outline: <math>\Phi</math>5mm round type.</li> <li>■ Lens Type: Red Diffused.</li> </ul> |



| CUSTOMER APPROVED SIGNATURES | APPROVED BY | CHECKED BY | PREPARED BY |
|------------------------------|-------------|------------|-------------|
|                              |             |            |             |

**NINGBO FORYARD OPTOELECTRONICS CO.,LTD.**

**Add:**No. 666 Jinghua Road, Hi-tech Park, Ningbo, Zhejiang, China

**Zip:**315103

**Tel:** 0086-574-87933652 87922206 87927870

**Fax:** 0086-574-87927917

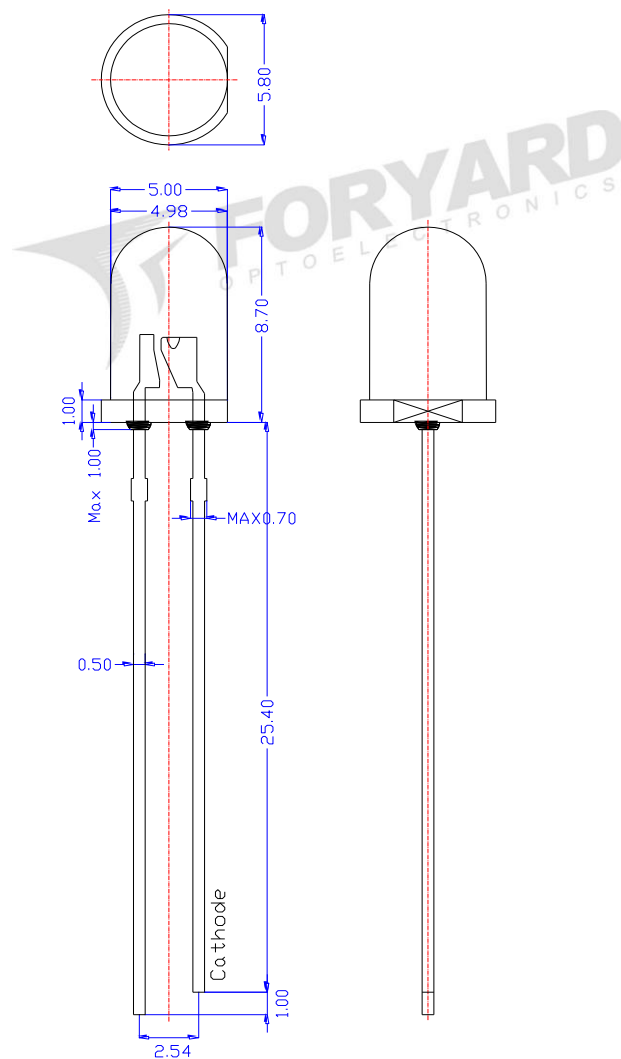
**E-mail:**Sales@foryard.com (General)

**Model No.: FYL-5013ED1C**

**■ Features**

- 1.Low power consumption.
- 2.High efficiency.
- 3.General purpose leads.
- 4.High intensity.
- 5.RoHs compliant.

**■ Package configuration**



**Notes:**

1. All dimensions are millimeters (inches)
2. Tolerance is  $\pm 0.25\text{mm}(.010\text{'})$  unless otherwise noted.
3. The specifications, characteristics and technical data described in the datasheet are subject to change without prior notice.
- 4.The drawing is different from the actual one, please refer to the sample.

**Model No.: FYL-5013ED1C**

**Absolute Maximum Ratings(Ta=25°C)**

| Parameter   | MAX.                | Unit  |
|---|---------------------|-------|
| Power Dissipation   | 80                  | mW    |
| Peak Forward Current (1/10 Duty Cycle, 0.1ms Pulse Width) | 150                 | mA    |
| Continuous Forward Current                                | 30                  | mA    |
| Derating Linear From 50°C                                 | 0.4                 | mA/°C |
| Reverse Voltage   | 5                   | V     |
| Operating Temperature Range                               | -40°C to +85°C      |       |
| Storage Temperature Range                                 | -40°C to +100°C     |       |
| Lead Soldering Temperature[4mm(.157") From Body]          | 260°C for 5 Seconds |       |

**Typical Electrical & Optical Characteristics(Ta=25°C)**

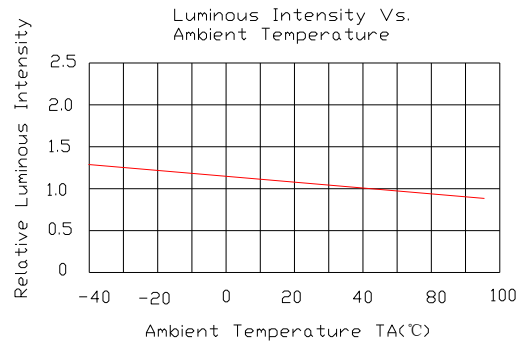
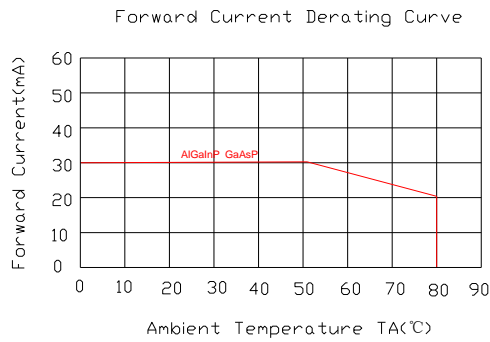
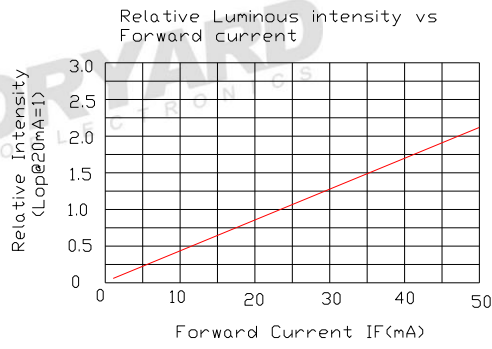
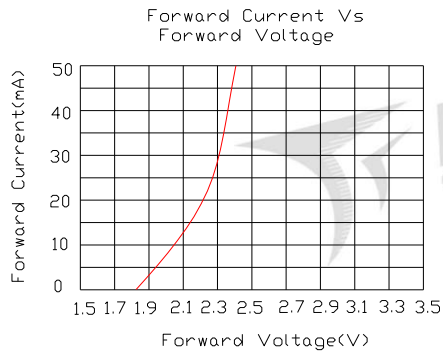
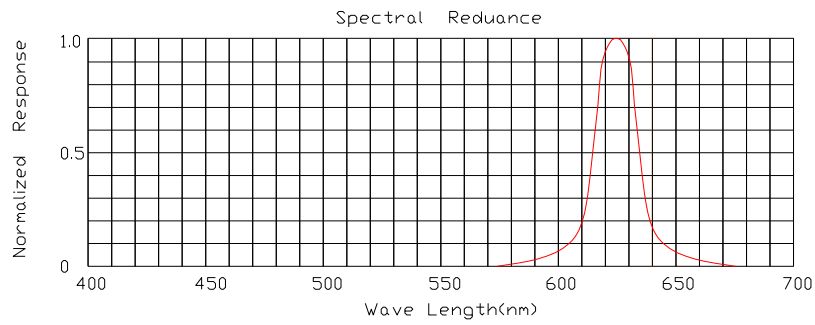
| Parameter                | Symbol          | Min. | Typ. | Max. | Unit    | Test Condition |
|--------------------------|-----------------|------|------|------|---------|----------------|
| Luminous Intensity       | $I_V$           | 30   | 50   | 70   | mcd     | IF=20mA        |
| Viewing Angle            | $2\theta_{1/2}$ | ---  | 25   | ---  | Deg     |                |
| Peak Emission Wavelength | $\lambda_p$     | ---  | 625  | --   | nm      |                |
| Dominant Wavelength      | $\lambda_d$     | 618  | 623  | 628  | nm      |                |
| Spectral Line Half-Width | $\Delta\lambda$ | ---  | 35   | --   | nm      |                |
| Forward Voltage          | $V_F$           | 1.8  | 2.1  | 2.6  | V       | VR=5V          |
| Reverse Current          | $I_R$           | ---  | ---  | 10   | $\mu A$ |                |

Note:

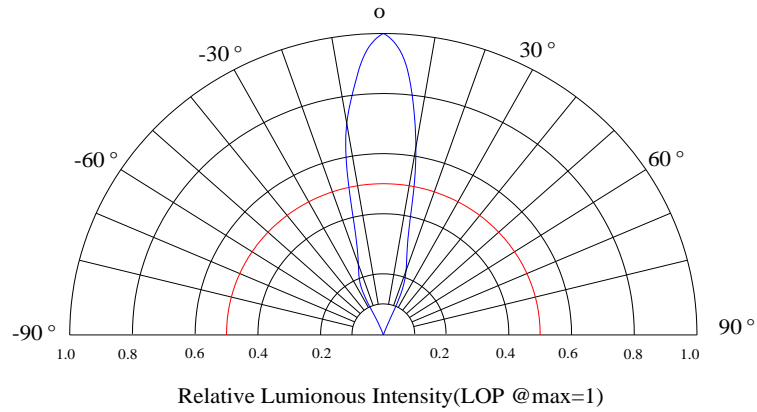
- 1.Luminous Intensity is based on the Foryard standards.
- 2.Pay attention about static for InGaN

**Model No.: FYL-5013ED1C**

**Typical Electrical/Optical Characteristics Curves(Ta=25°C Unless Otherwise Noted)**



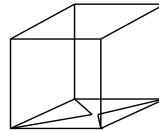
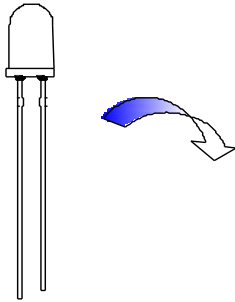
**Radiation pattern**



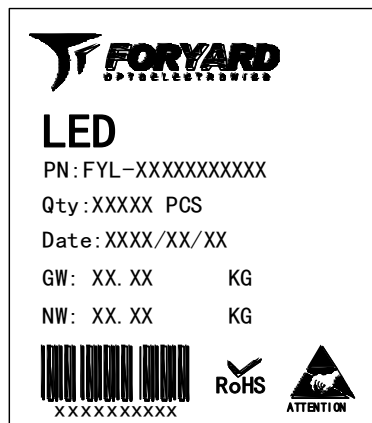
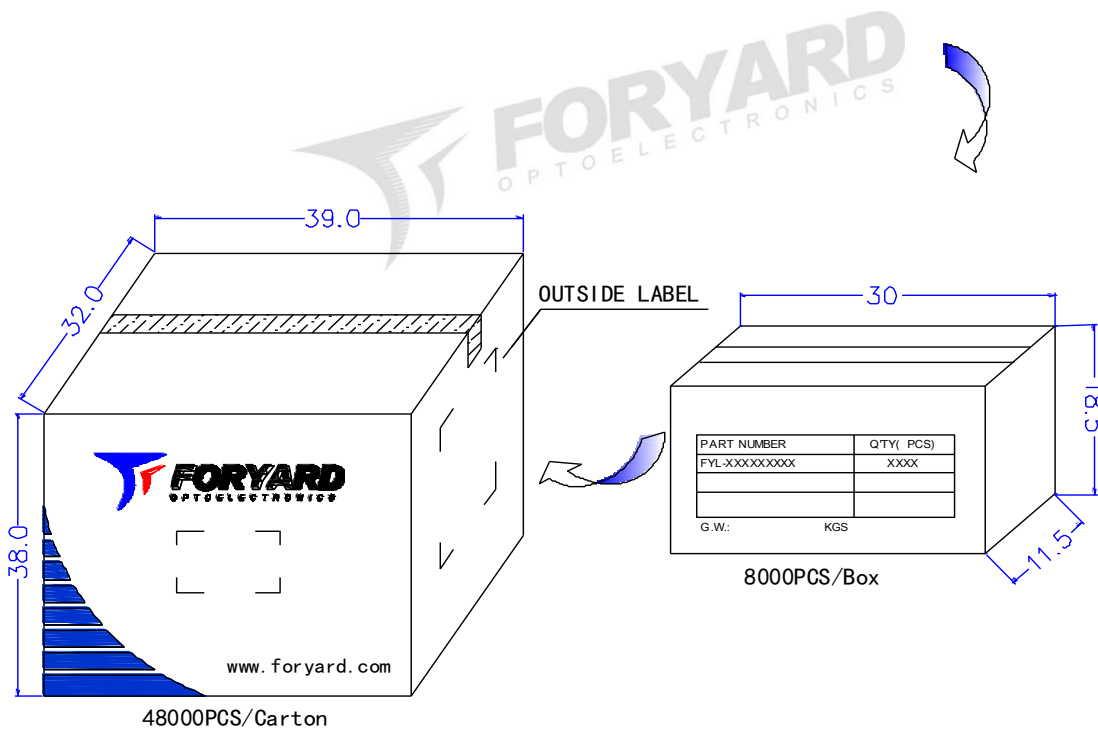
|             |                |
|-------------|----------------|
| Model No.   | FYL-5013ED1C   |
| Date / Rev. | 2020.04.18 / A |

Model No.: FYL-5013ED1C

■ LAMP PACKING.



5mm 1000PCS/Polybag



OUTSIDE LABEL

Note: The specifications are subject to change without notice. Please contact us for updated information.