

# PRODUCT SPECIFICATION

**Model No.: FYL-5463LURD1C**

| Descriptions:   |
|---|
| <ul style="list-style-type: none"> <li>■ Dice material: AlGaInP.</li> <li>■ Emitting Color: Super Bright Red.</li> <li>■ Device Outline: <math>\Phi 5 \times 4</math> mm ellipse type.</li> <li>■ Lens Type: Red Diffused.</li> </ul> |



| CUSTOMER APPROVED SIGNATURES | APPROVED BY | CHECKED BY | PREPARED BY |
|------------------------------|-------------|------------|-------------|
|                              |             |            |             |

**NINGBO FORYARD OPTOELECTRONICS CO.,LTD.**

**Add:**No. 666 Jinghua Road, Hi-tech Park, Ningbo, Zhejiang, China

**Zip:**315103

**Tel:** 0086-574-87933652 87922206 87927870

**Fax:** 0086-574-87927917

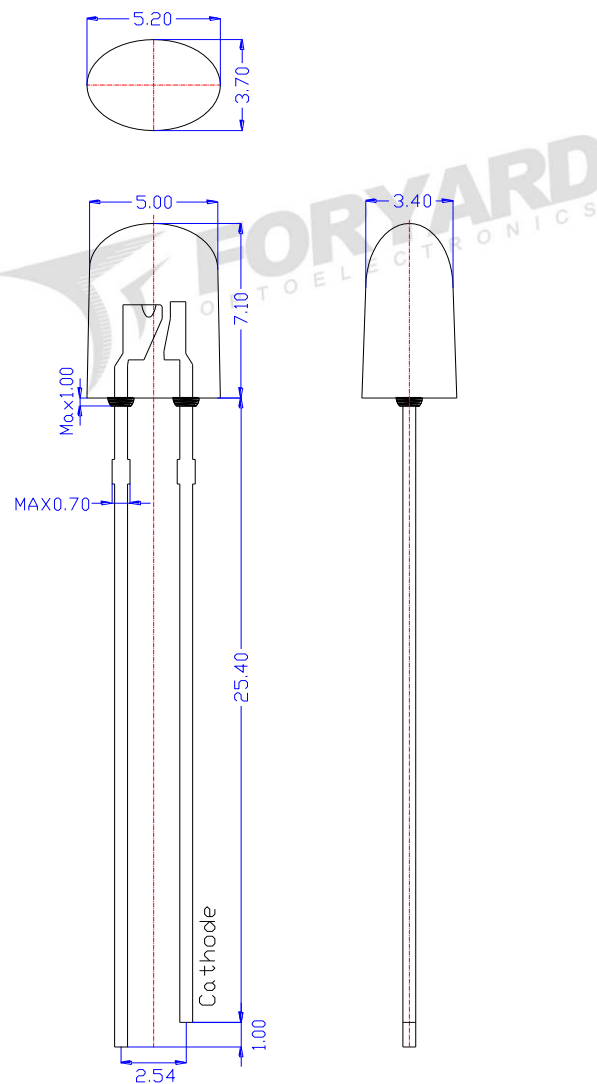
**E-mail:**Sales@foryard.com (General)

**Model No.: FYL-5463LURD1C**

**■ Features**

- 1.Low power consumption.
- 2.High efficiency.
- 3.General purpose leads.
- 4.High intensity.
- 5.RoHs compliant.

**■ Package configuration**



**Notes:**

1. All dimensions are millimeters (inches)
2. Tolerance is  $\pm 0.25\text{mm}(.010\text{'})$  unless otherwise noted.
3. The specifications, characteristics and technical data described in the datasheet are subject to change without prior notice.
- 4.The drawing is different from the actual one, please refer to the sample.

Model No.: FYL-5463LURD1C

### ■ Absolute Maximum Ratings(Ta=25°C)

| Parameter   | MAX.                | Unit  |
|---|---------------------|-------|
| Power Dissipation   | 75                  | mW    |
| Peak Forward Current (1/10 Duty Cycle, 0.1ms Pulse Width) | 100                 | mA    |
| Continuous Forward Current                                | 30                  | mA    |
| Derating Linear From 50°C                                 | 0.4                 | mA/°C |
| Reverse Voltage   | 5                   | V     |
| Operating Temperature Range                               | -40°C to +85°C      |       |
| Storage Temperature Range                                 | -40°C to +100°C     |       |
| Lead Soldering Temperature[4mm(.157") From Body]          | 260°C for 5 Seconds |       |

### ■ Typical Electrical & Optical Characteristics(Ta=25°C)

| Parameter                | Symbol          | Min. | Typ. | Max. | Unit    | Test Condition |       |
|--------------------------|-----------------|------|------|------|---------|----------------|-------|
| Luminous Intensity       | $I_V$           | 1380 | 2300 | 3800 | mcd     | IF=20mA        |       |
| Viewing Angle            | $2\theta_{1/2}$ | X    | ---  | 80   | ---     |                | Deg   |
|                          |                 | Y    | ---  | 45   | ---     |                |       |
| Peak Emission Wavelength | $\lambda_p$     | ---  | 630  | --   | nm      |                |       |
| Dominant Wavelength      | $\lambda_d$     | 618  | 625  | 630  | nm      |                |       |
| Spectral Line Half-Width | $\Delta\lambda$ | ---  | 20   | --   | nm      |                |       |
| Forward Voltage          | $V_F$           | 1.8  | 2.1  | 2.4  | V       |                |       |
| Reverse Current          | $I_R$           | ---  | ---  | 10   | $\mu A$ |                | VR=5V |

Note:

- 1.Luminous Intensity is based on the Foryard standards.
- 2.Pay attention about static for InGaN

#### ■ Luminous Intensity Guide (Unit: mcd) @IF=20mA

| Code                    | N17       | N18       | N19       | N20       |
|-------------------------|-----------|-----------|-----------|-----------|
| Luminous Intensity(mcd) | 1380~1800 | 1800~2300 | 2300~3000 | 3000~3800 |

Tolerance of measurement of luminous intensity is  $\pm 15\%$

#### ■ Dominate Wavelength Guide (Unit: nm) @IF=20mA

| Code                    | R1      | R2      | R3      | R4      |
|-------------------------|---------|---------|---------|---------|
| Dominate Wavelength(nm) | 618~621 | 621~624 | 624~627 | 627~630 |

Tolerance for each Dominate Wavelength bin is  $\pm 1nm$

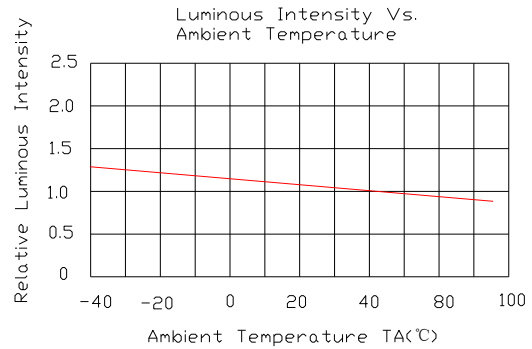
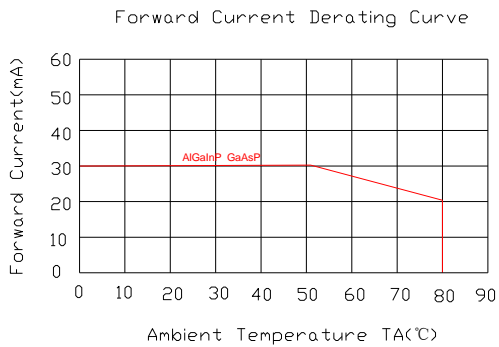
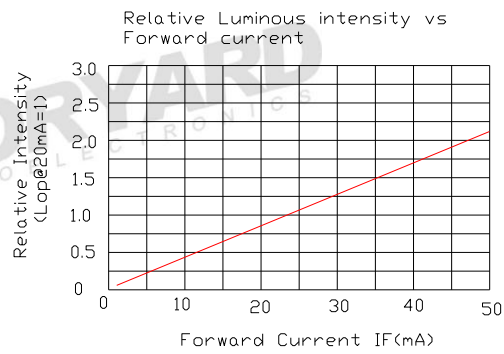
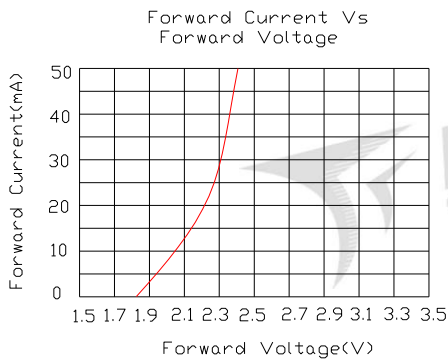
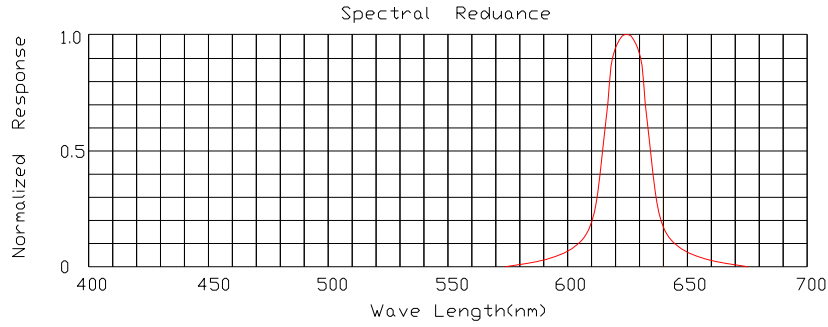
#### ■ Forward Voltage Guide (Unit: V) @IF=20mA

| Code               | V2      | V3a     | V3b     | V4      |
|--------------------|---------|---------|---------|---------|
| Forward Voltage(V) | 1.8~2.0 | 2.0~2.1 | 2.1~2.2 | 2.2~2.4 |

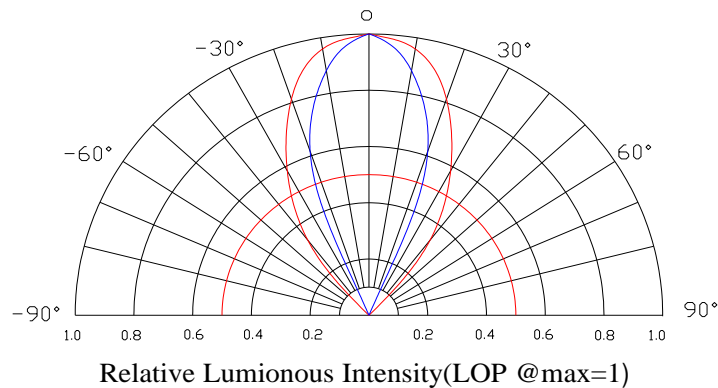
Tolerance of measurement of forward voltage is  $\pm 0.1V$

**Model No.: FYL-5463LURD1C**

**Typical Electrical/Optical Characteristics Curves(Ta=25°C Unless Otherwise Noted)**



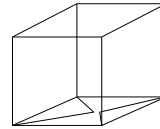
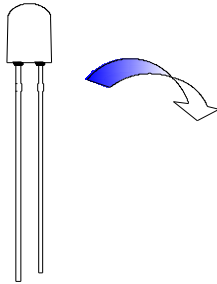
**Radiation pattern**



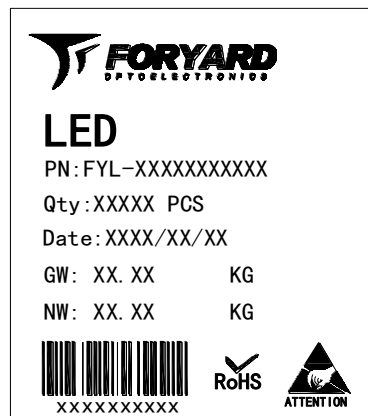
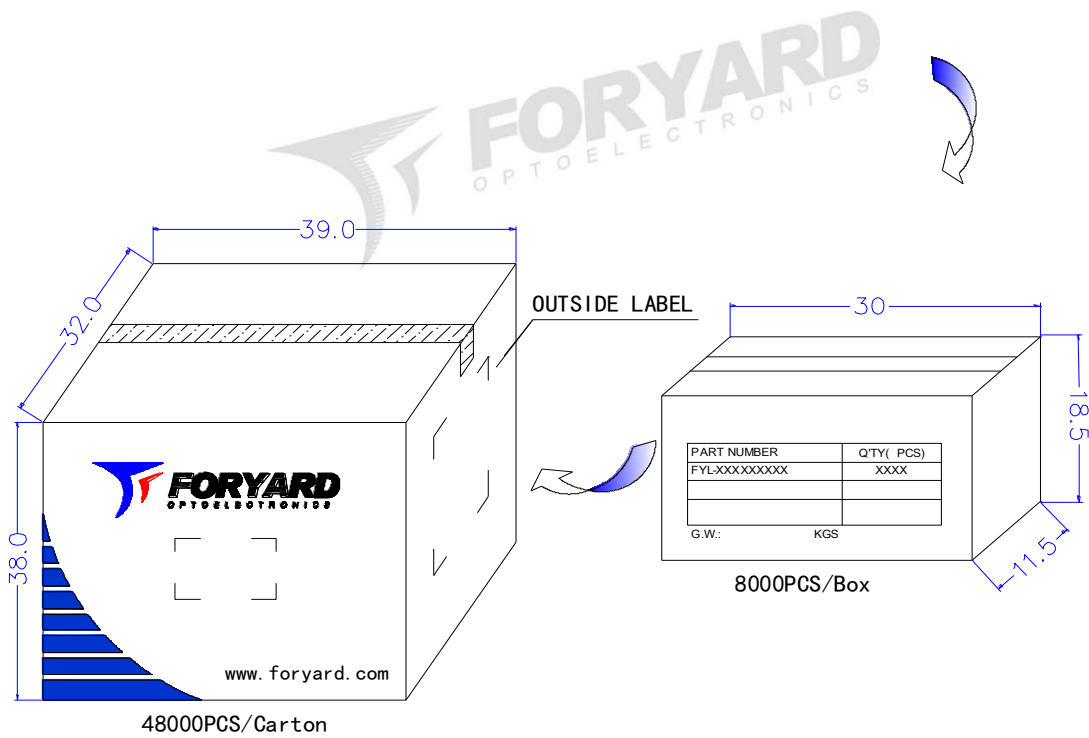
|             |                |
|-------------|----------------|
| Model No.   | FYL-5463LURD1C |
| Date / Rev. | 2020.04.20 / A |

Model No.: FYL-5463LURD1C

■ LAMP PACKING.



5\*4mm 1000PCS/Polybag



OUTSIDE LABEL

Note: The specifications are subject to change without notice. Please contact us for updated information.