

## FYL-25A9SGW1B-CC

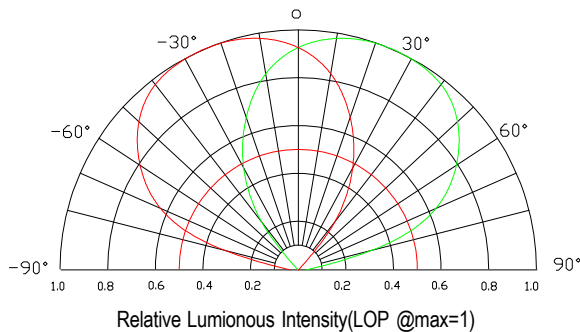
### Features:

- General purpose leads
- RoHs compliant.

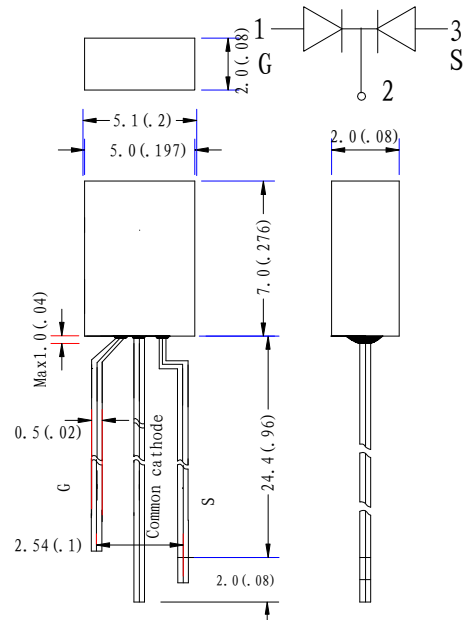
### Descriptions:

- Dice material S: GaAsP  
G: GaP
- Emitting Color S: Red  
G: Yellow Green
- Device Outline:  $\Phi 2 \times 5$ mm Square Type.
- Lens Type: White diffused.

### Radiation pattern.



### Package configuration



- ◆ All dimensions are millimeters (inches)
- ◆ Tolerance is  $\pm 0.25$ mm(.010") unless otherwise noted.

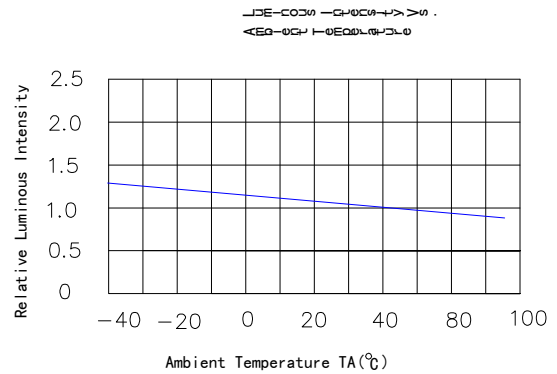
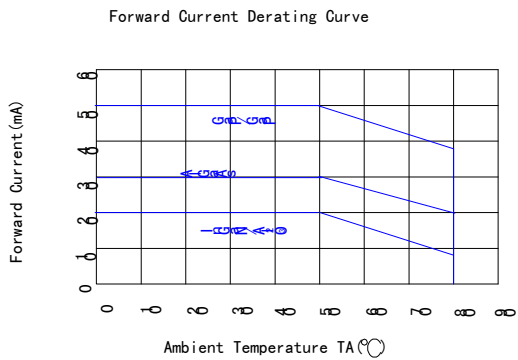
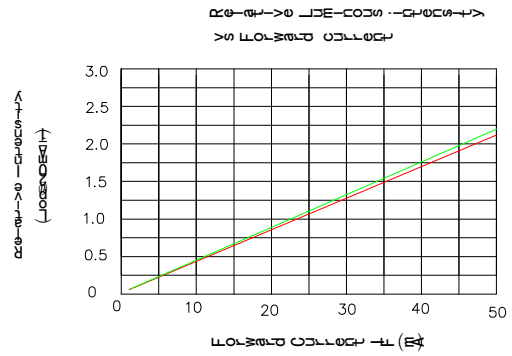
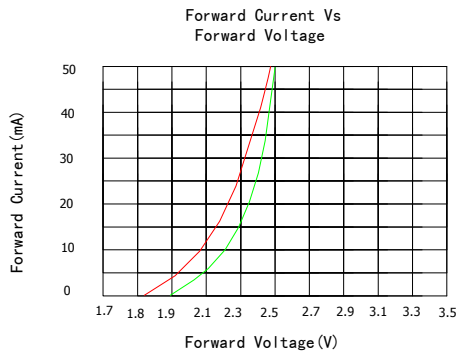
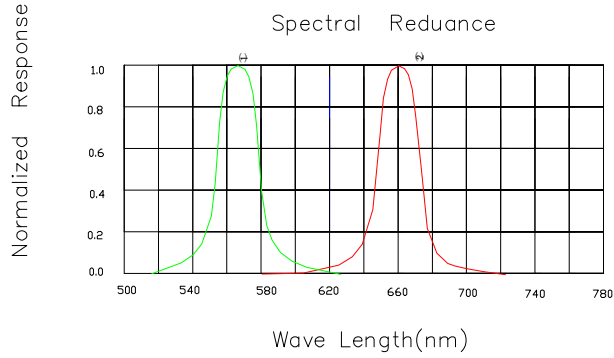
### Absolute maximum ratings( $T_a = 25^\circ\text{C}$ )

Parameter	MAX.		Unit
Power Dissipation	E	80	mW
	G	80	
Peak Forward Current (1/10 Duty Cycle, 0.1ms Pulse Width)	100		mA
Continuous Forward Current	30		mA
Derating Linear From $50^\circ\text{C}$	0.4		mA/ $^\circ\text{C}$
Reverse Voltage	5		V
Operating Temperature Range	$-30^\circ\text{C}$ to $+80^\circ\text{C}$		
Storage Temperature Range	$-40^\circ\text{C}$ to $+100^\circ\text{C}$		
Lead Soldering Temperature[4mm(.157") From Body]	260 $^\circ\text{C}$ for 5 Seconds		

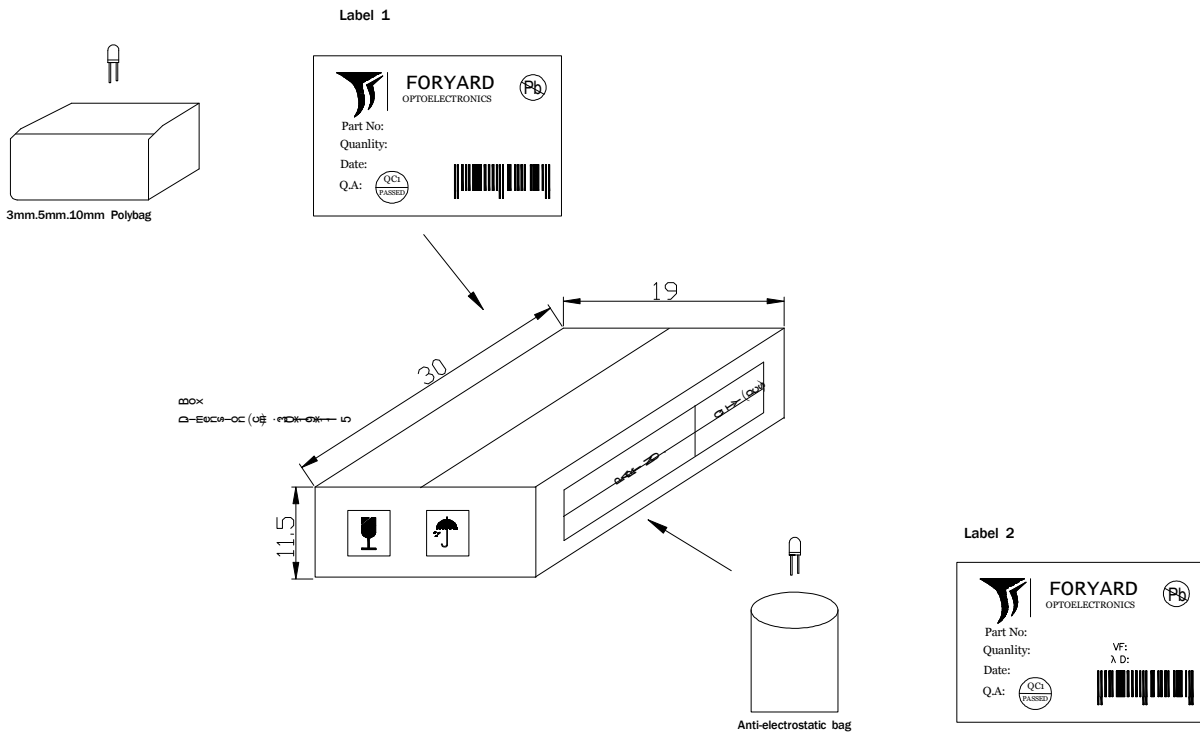
## Electrical and optical characteristics(Ta=25 °c)

Parameter	Symbol	Min.	Typ.	Max.	Unit	Test Condition
Luminous Intensity	I <sub>v</sub>	S	-	15	-	mcd
		G	-	15	-	
Viewing Angle	2θ <sub>1/2</sub>	S	90	100	110	Deg
		G	90	100	110	
Peak Emission Wavelength	λ <sub>p</sub>	S	-	660	-	nm
		G	563	568	573	
Dominant Wavelength	λ <sub>d</sub>	S	-	640	-	nm
		G	567	572	577	
Spectral Line Half-Width	Δλ	S	10	15	20	nm
		G	15	20	25	
Forward Voltage	V <sub>F</sub>	S	1.8	2.2	2.5	V
		G	1.8	2.3	2.5	
Reverse Current	I <sub>R</sub>		-	10	μA	V <sub>R</sub> =5V

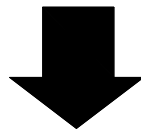
## Typical Electrical Characteristics Curves (25 °c Ambient Temperature Unless Otherwise Noted)



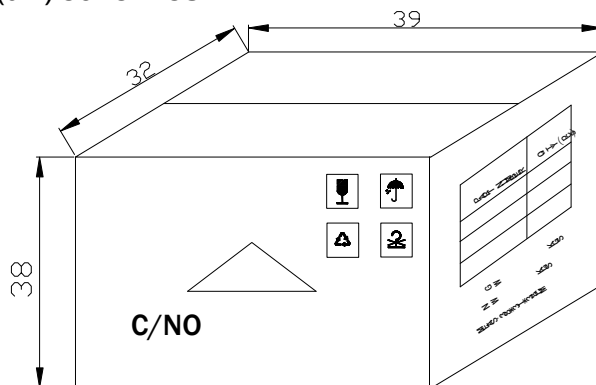
## LAMP PACKING.



DEVICE	QTY/polybag(pcs)	Polybag/box A	Fig
5mm(T-1 3/4)	1000	8 bags	Label 1
3mm(T-1 )	1000	10 bags	Label 1
10mm(T-1)	250	8 bags	Label 1
Blue/Green/White	500pcs	8 bags	Label 2



**CARTON**  
Dimension(cm):39\*32\*38



6 Boxes/Carton  
5mm:48,000pcs  
3mm:60,000pcs  
10mm:12,000pcs  
Blue/Pure Green/bluish Green  
/White:24,000pcs