

## FYL- 3034XXX1E

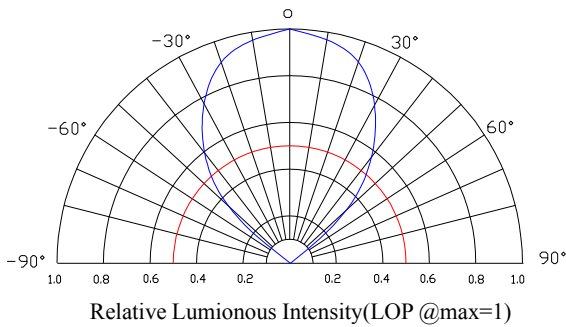
### Features:

- General purpose leads
- RoHs compliant.

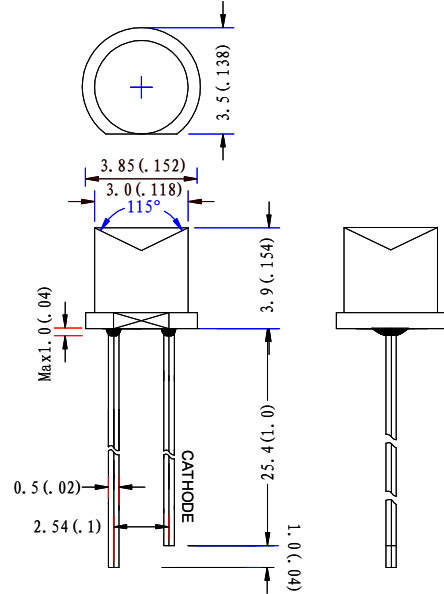
### Descriptions:

- Dice material: GaP/GaAsP/InGaN/AlGaInP.
- Device Outline:  $\Phi 3\text{mm}$  concave Type.

### Radiation pattern.



### Package configuration



- ◆ All dimensions are millimeters (inches)
- ◆ Tolerance is  $\pm 0.25\text{mm}$  (.010") unless otherwise noted.

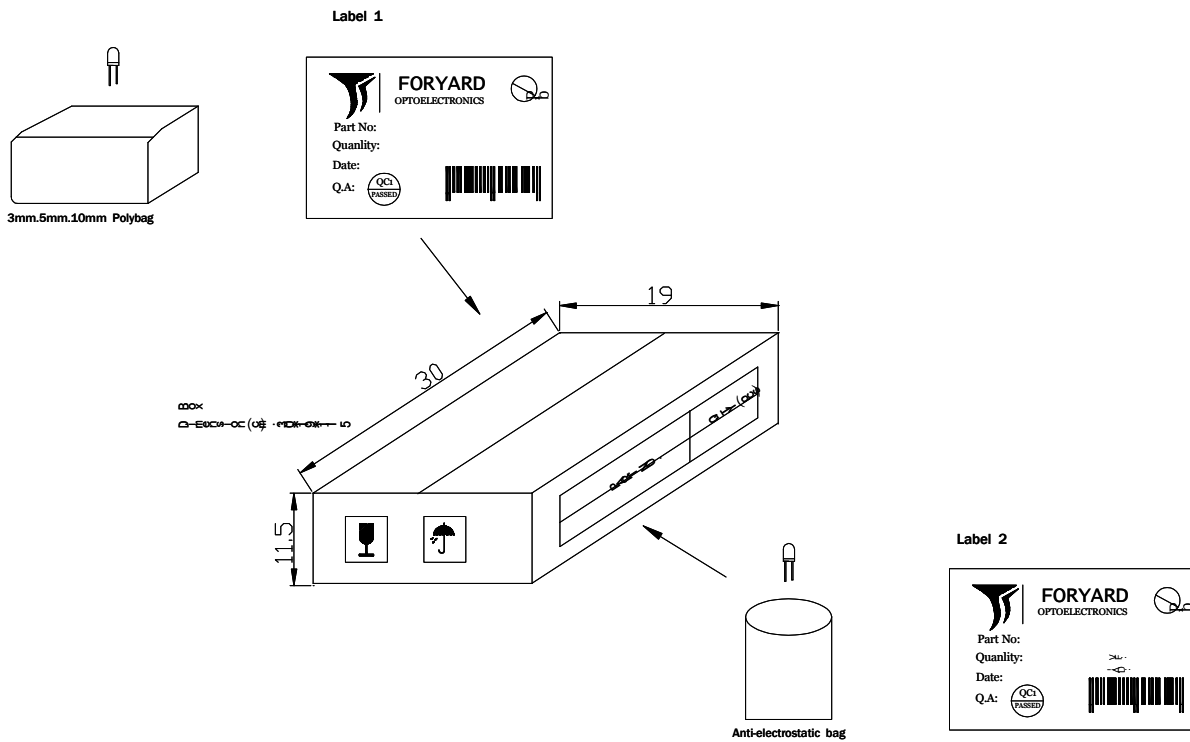
### Absolute maximum ratings( $T_a=25^\circ\text{C}$ )

Parameter	MAX.	Unit
Continuous Forward Current	20	mA
Derating Linear From $50^\circ\text{C}$	0.4	mA/ $^\circ\text{C}$
Reverse Voltage	5	V
Operating Temperature Range	$-30^\circ\text{C}$ to $+80^\circ\text{C}$	
Storage Temperature Range	$-40^\circ\text{C}$ to $+100^\circ\text{C}$	
Lead Soldering Temperature[4mm(.157") From Body]	260 $^\circ\text{C}$ for 5 Seconds	

## Optical Characteristics at TA = 25° C

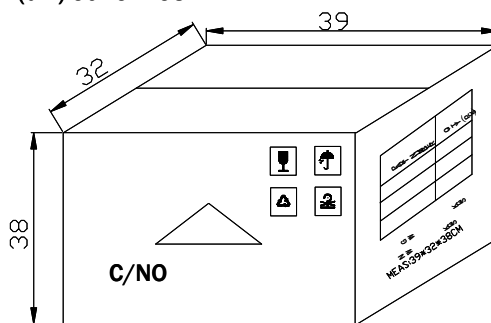
Part Number	Lens Color	Wavelength (nm)	Intensity (mcd)	Angle 2 θ 1/2
FYL-3034HC1E	Water Clear	700	30	85
FYL-3034SRC1E	Water Clear	660	60	85
FYL-3034EC1E	Water Clear	625	45	85
FYL-3034YC1E	Water Clear	588	40	85
FYL-3034GC1E	Water Clear	568	35	85
FYL-3034LRC1E	Water Clear	660	260	85
FYL-3034SURC1E	Water Clear	630	350	85
FYL-3034NURC1E	Water Clear	630	460	85
FYL-3034SUAC1E	Water Clear	610	350	85
FYL-3034SUYC1E	Water Clear	588	320	85
FYL-3034NUYC1E	Water Clear	588	430	85
FYL-3034SUGC1E	Water Clear	568	280	75
FYL-3034PGC1E	Water Clear	520	3500	75
FYL-3034BGC1E	Water Clear	505	3000	75
FYL-3034UBC1E	Water Clear	470	1500	75
FYL-3034VC1E	Water Clear	410	90(mW)	75
FYL-3034UWC1E	Water Clear	X:0.29 Y:0.30 / 9500k	1000	85
FYL-3034UWC1E-UWW	Water Clear	X:0.40 Y:0.39 / 3500k	1000	85

## LAMP PACKING.



DEVICE	QTY/polybag(pcs)	Polybag/box A	Fig
5mm(T-1 3/4)	1000	8 bags	Label 1
3mm(T-1)	1000	10 bags	Label 1
10mm(T-1)	250	8 bags	Label 1
Blue/Green/White	500pcs	8 bags	Label 2

**CARTON**  
Dimension(cm):39\*32\*38



6 Boxes/Carton  
 5mm:48,000pcs  
 3mm:60,000pcs  
 10mm:12,000pcs  
 Blue/Pure Green/bluish Green  
 /White:24,000pcs