

FYL- 5013LRW1C

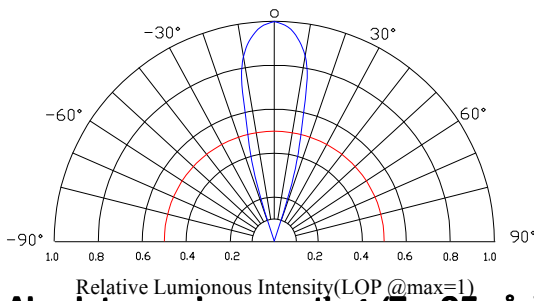
Features:

- High intensity
- General purpose leads
- RoHs compliant.

Descriptions:

- Dice material: AlGaAs
- Emitting Color: Super bright Red
- Device Outline: Φ5mm Round Type.
- Lens Type: White diffused.

Radiation pattern.



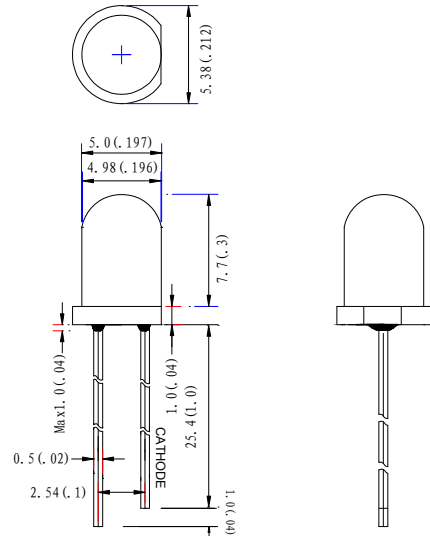
Absolute maximum ratings(Ta=25 °c)

Parameter	MAX.	Unit
Power Dissipation	50	mW
Peak Forward Current (1/10 Duty Cycle, 0.1ms Pulse Width)	100	mA
Continuous Forward Current	30	mA
Derating Linear From 50°C	0.4	mA/°C
Reverse Voltage	5	V
Operating Temperature Range	-30°C to +80°C	
Storage Temperature Range	-40°C to +100°C	
Lead Soldering Temperature[4mm(.157") From Body]	260°C for 5 Seconds	

Electrical and optical characteristics(Ta=25 °c)

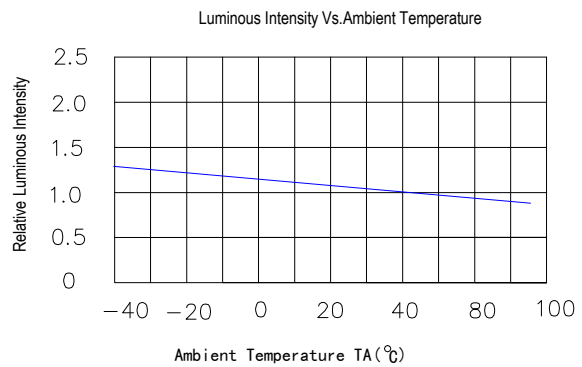
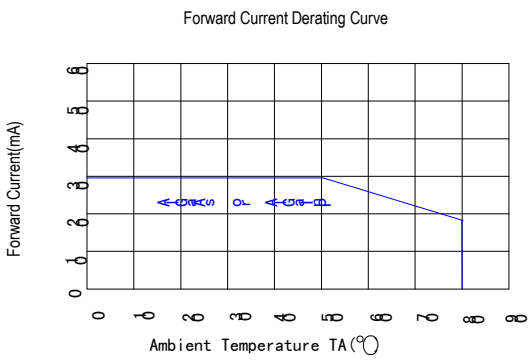
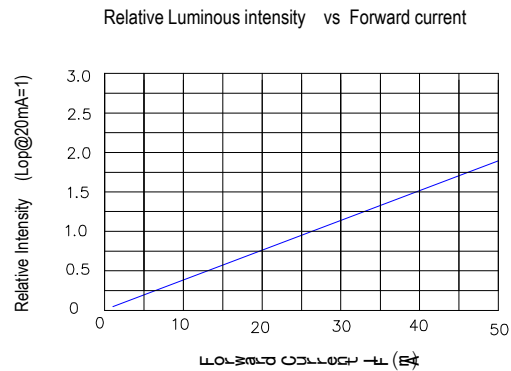
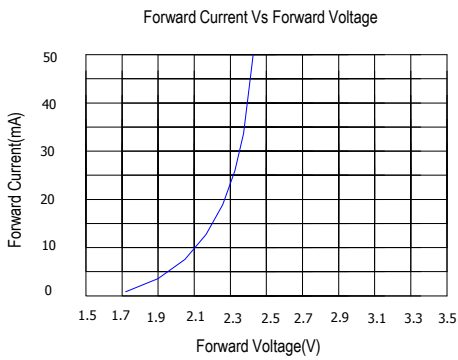
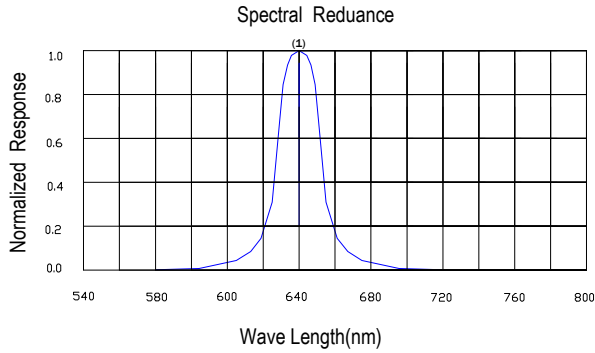
Parameter	Symbol	Min.	Typ.	Max.	Unit	Test Condition
Luminous Intensity	I _v	-	300	-	mcd	I _F =20mA
Viewing Angle	2θ _{1/2}	25	30	35	Deg	
Peak Emission Wavelength	λ _p	635	640	645	nm	
Dominate Wavelength	λ _d	630	635	640	nm	
Spectral Line Half-Width	Δλ	10	15	20	nm	
Forward Voltage	V _F	1.7	1.9	2.4	V	V _R =5V
Reverse Current	I _R			10	μA	

Package configuration

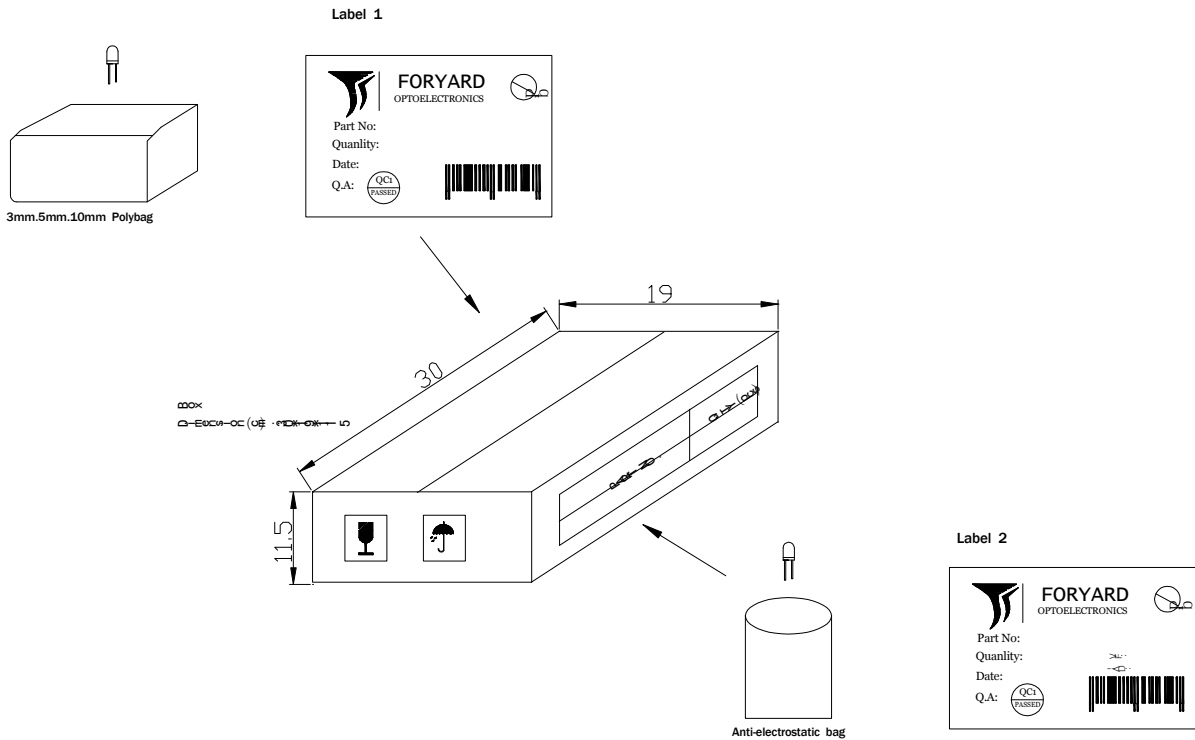


- ◆ All dimensions are millimeters (inches)
- ◆ Tolerance is ±0.25mm(.010") unless otherwise noted.

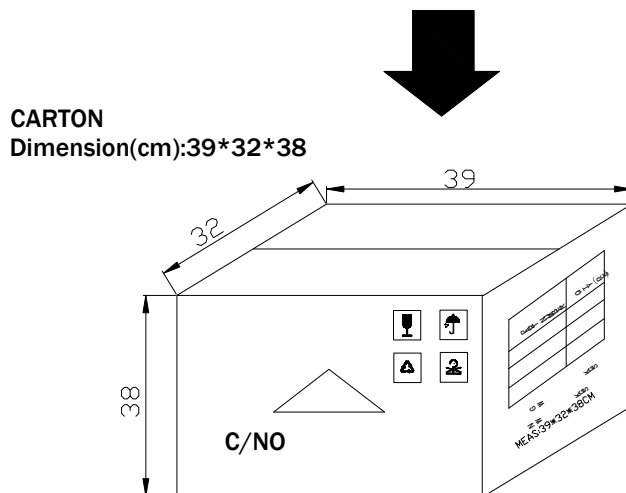
Typical Electrical Characteristics Curves (25 °c Ambient Temperature Unless Otherwise Noted)



LAMP PACKING.



DEVICE	QTY/polybag(pcs)	Polybag/box A	Fig
5mm(T-1 3/4)	1000	8 bags	Label 1
3mm(T-1)	1000	10 bags	Label 1
10mm(T-1)	250	8 bags	Label 1
Blue/Green/White	500	8 bags	Label 2



6 Boxes/Carton
 5mm:48,000pcs
 3mm:60,000pcs
 10mm:12,000pcs
 Blue/Pure Green/bluish Green
 /White:24,000pcs