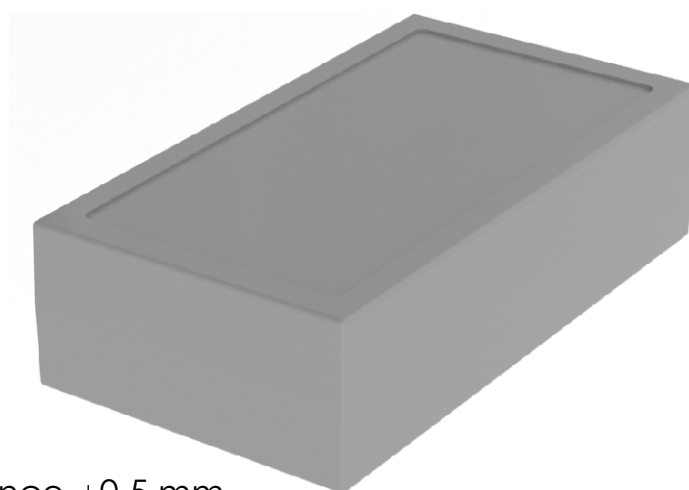



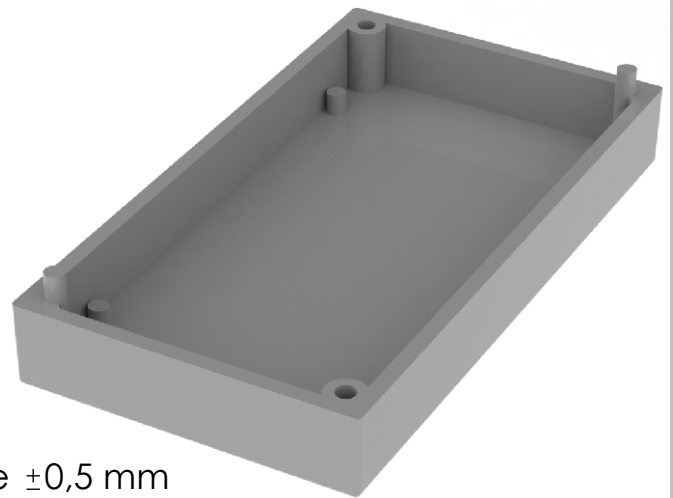
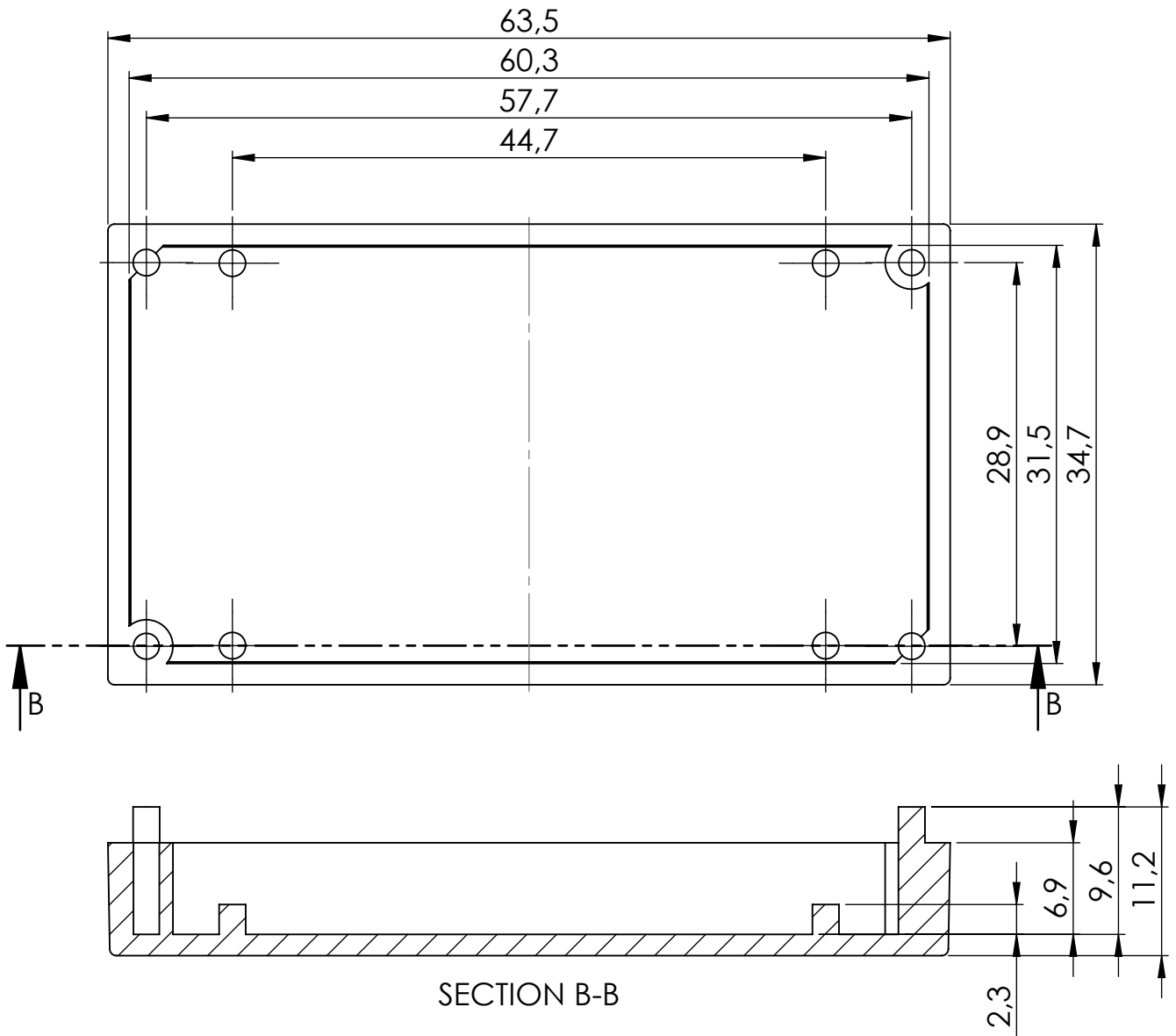
SECTION A-A



Dimensional tolerance $\pm 0,5$ mm

Components:
- top
- bottom

Format A4	Scale 2:1	 MASZCZYK [®] PLASTIC ENCLOSURES „MASZCZYK” 05-071 Sulejówek-Miłosna ul. Mickiewicza 10 tel: (22) 783-45-20 kom: 602-726-086
Product No. KM-57		



Dimensional tolerance $\pm 0,5$ mm

Format A4	Scale 2:1
--------------	--------------

Product No. KM-57 (body)



MASZCZYK[®]
PLASTIC ENCLOSURES

„MASZCZYK”
05-071 Sulejówek-Miłosna
ul. Mickiewicza 10
tel: (22) 783-45-20 kom: 602-726-086