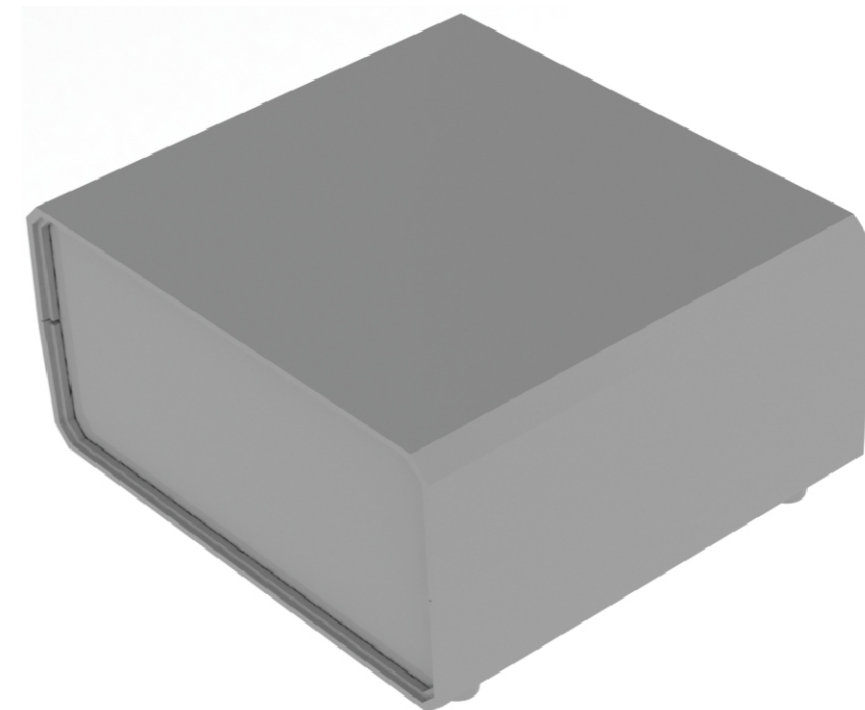


SECTION A-A

- Components:
- body (top + bottom)
  - 2x panel
  - 4x screw
  - 4x foot

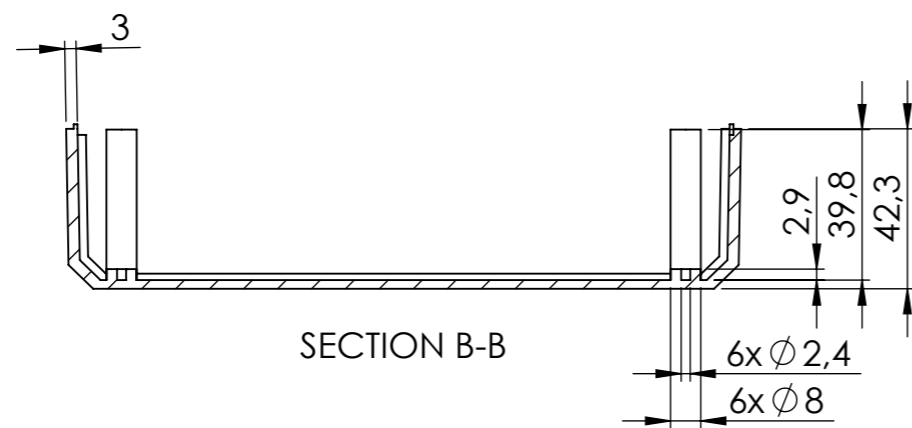
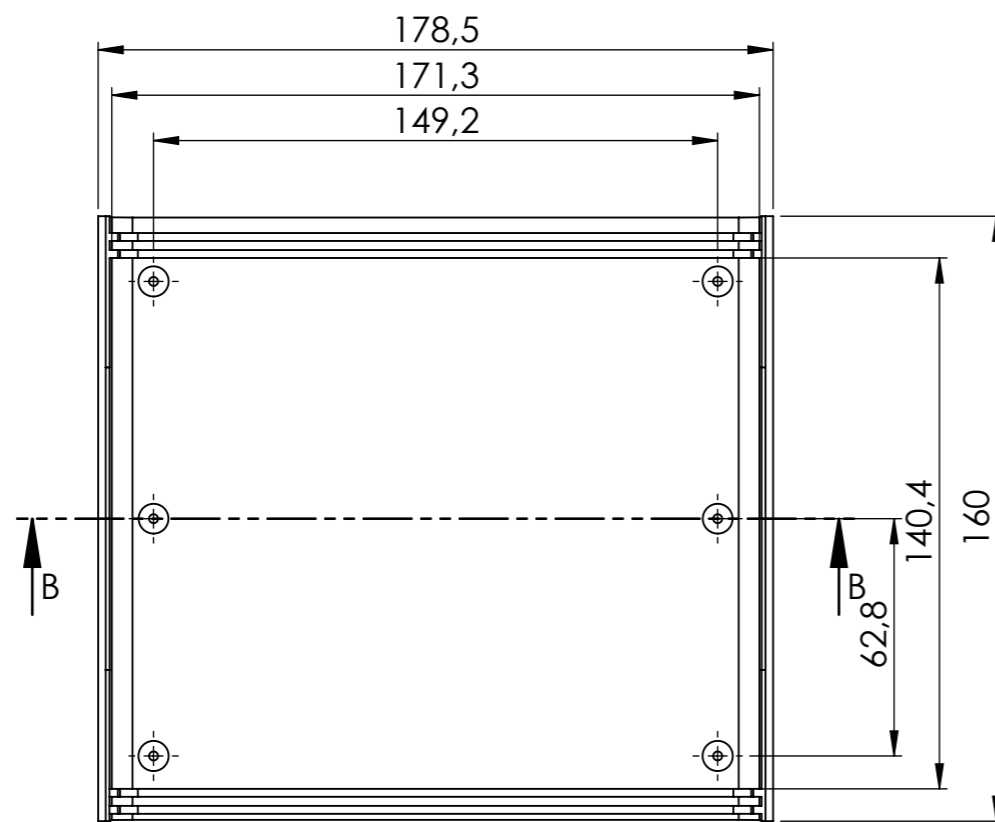
Dimensional tolerance  $\pm 0,5$  mm

Format	Scale
A3	1:2
Product No.	
KM-85	

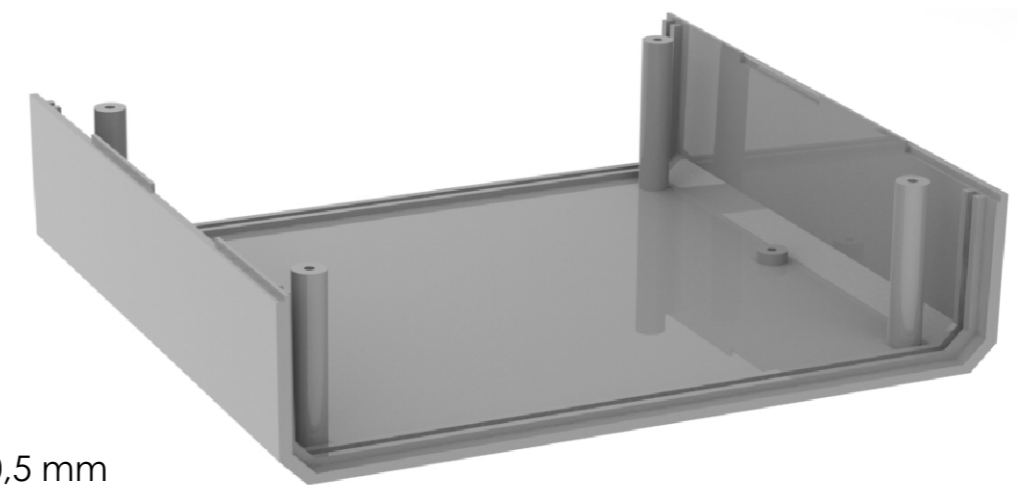
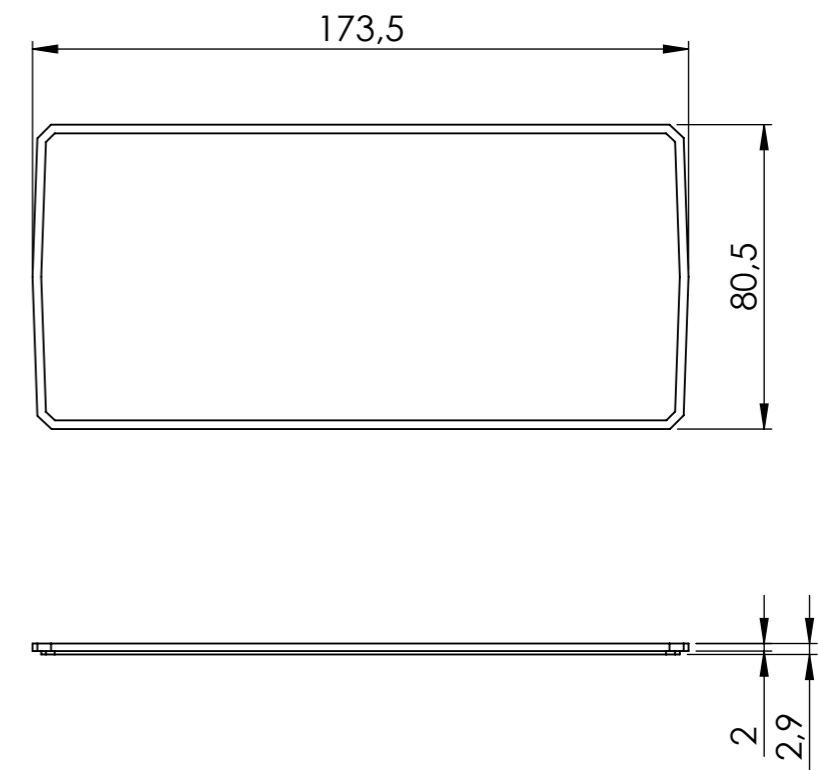


**MASZCZYK**®  
PLASTIC ENCLOSURES

„MASZCZYK”  
05-071 Sulejówek-Miłosna  
ul. Mickiewicza 10  
tel: (22) 783-45-20 kom: 602-726-086



Panel:



Dimensional tolerance  $\pm 0,5$  mm

Format	Scale
A3	1:1
Product No. <b>KM-85</b> (body and panel)	



**MASZCZYK**®  
PLASTIC ENCLOSURES

„MASZCZYK”  
05-071 Sulejów-Mitosna  
ul. Mickiewicza 10  
tel: (22) 783-45-20 kom: 602-726-086