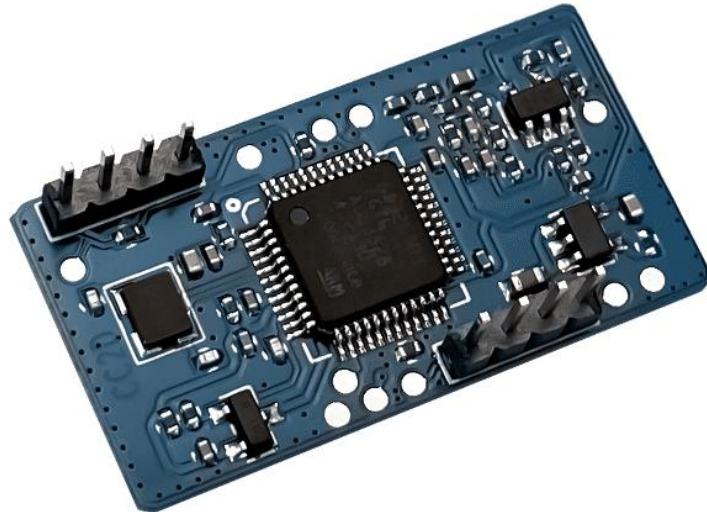


HLK-LD1125H

TTL Serial Communication Flexible and Adjustable Parameters

sensitivity and detection distance can be set



Introduction

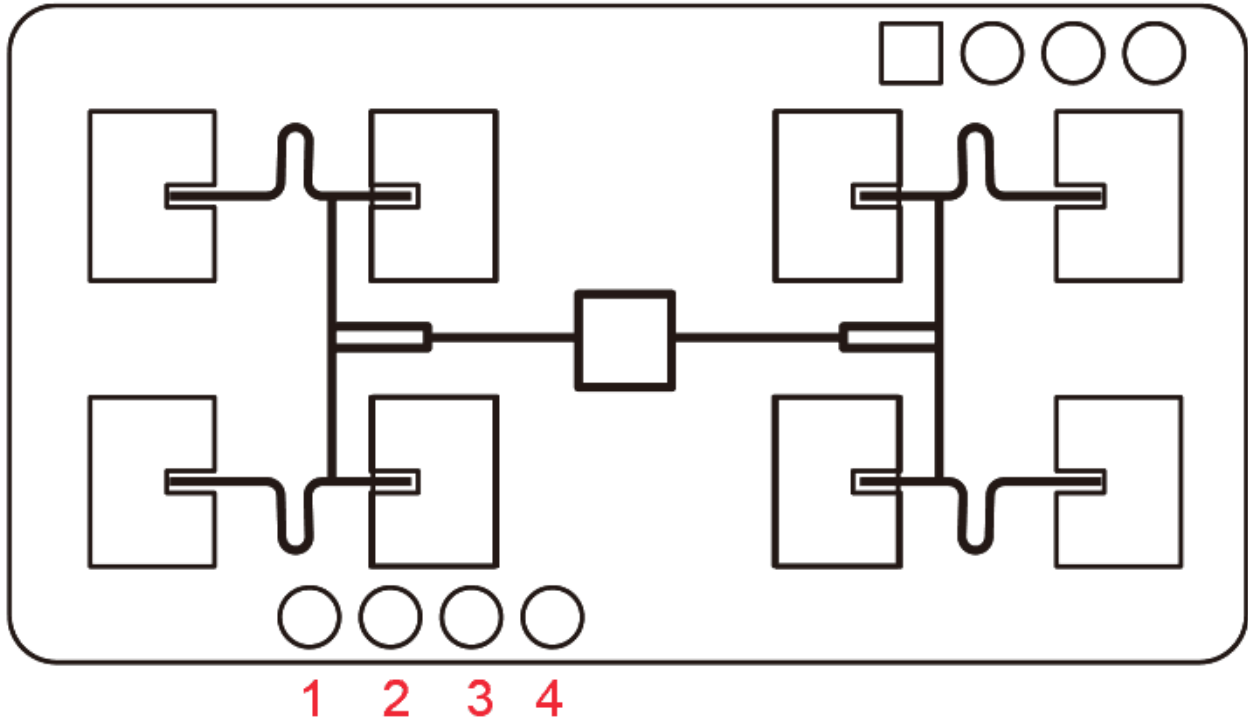
HLK-LD1125H-24G is a high sensitivity 24GHz millimeter wave human presence detection radar module. The main feature of this module is to judge the existence of the human body by detecting and accumulating tiny movements such as human respiration. Therefore, the detection of human presence is more accurate than traditional mobile detection radars. Not easy to miss

Specifications

Frequency	23.5G-24.5GHz
Modulation method	FMCW
Detection distance	> 4m static detection, > 8m moving detection
Range	hanging height 3m, static body detection coverage radius >2m,
Power supply	3.3-5V
Current	80mA
Output serial level	3.3V
Detection cycle	adaptive
Antenna half power angle	horizontal $\pm 22^\circ$, vertical $\pm 24^\circ$
Data format	Serial port ASCII output

Product Schematic

Detect Static Existence/Moving Target is Serial Output



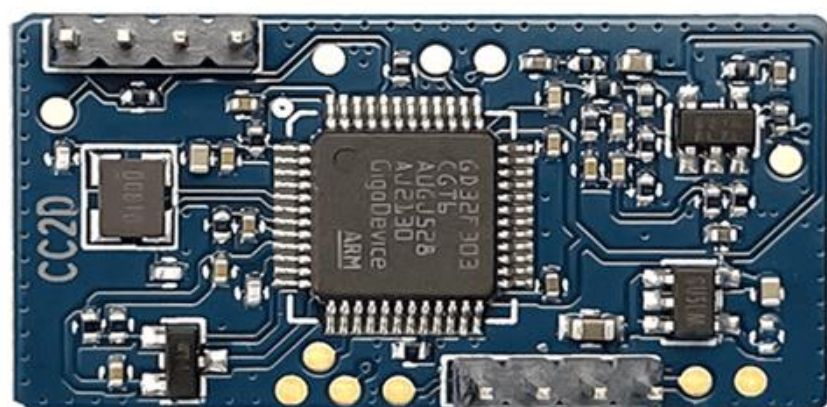
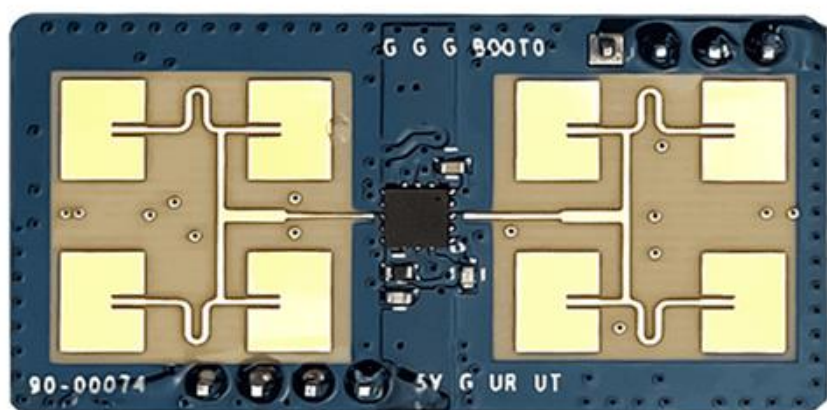
Interface: (2.0mm × 4PIN)

1: VCC 5V Power Supply

2: GND, Ground Connect

3: URX,TTL Serial receive

4:UTX,TTL Serial send



Sensing Range Diagram

Test application Scenario 1: Horizontal installation linear test



human stand



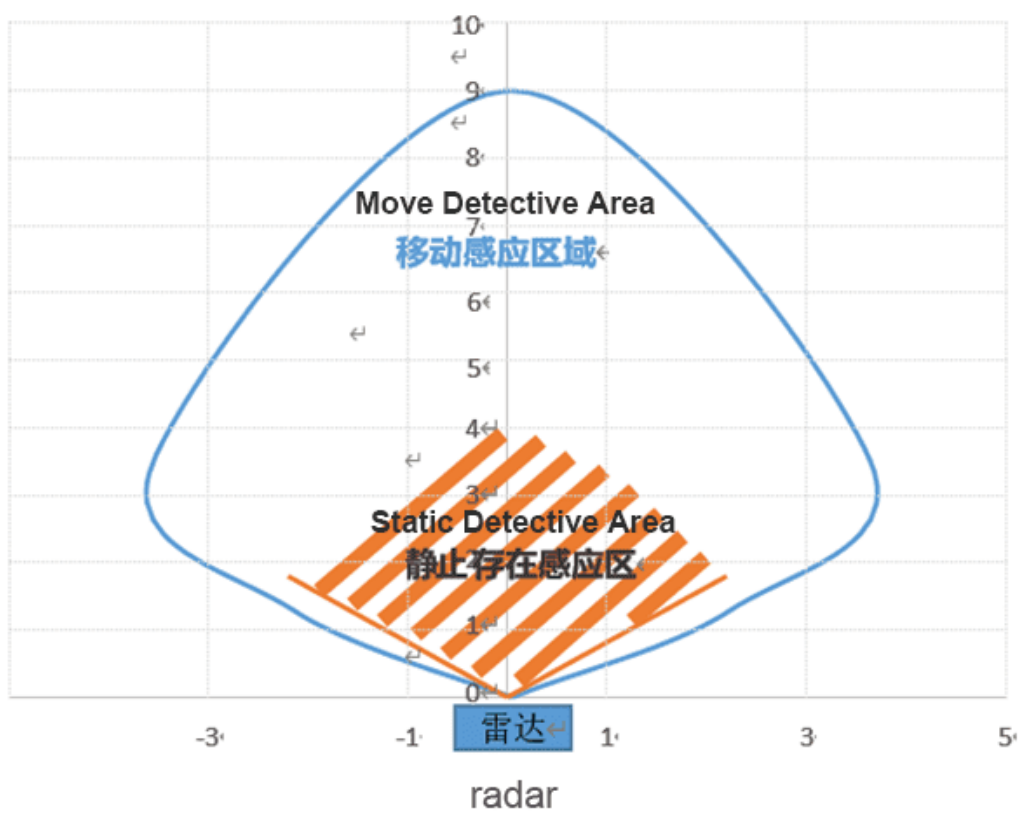
radar module



radar module

human sit down

unit:m



Test Application Scenario 2: Hanging Height Vertical Test

The module can be hung up for human presence detection. Our test environment is to hang up 3M, and measure the FOV of the human body static and walking.

