

HLK-LD116-24G RADOR MODULE

Version: V1.0
Date: 2019/11/10

1.DESRIPTION

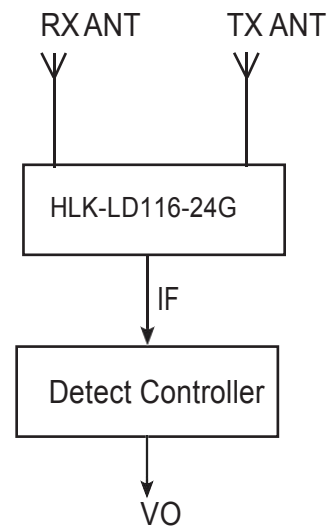
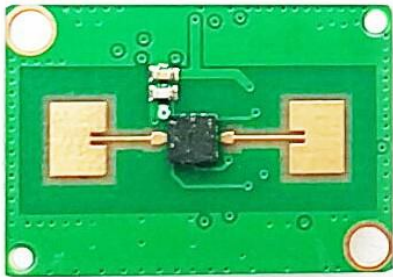
The 24GHz IoT radar module provides a low cost solution using detect controllerm,can be used in lot applications and Industrial applications.

FEATURES

- TX EIRP: 6dBm
- Phase noise: -96dBc/Hz@1MHz offset
- RX noise figure: 10 dB DSB typical
- Current at 3.3V power supply: 55mA
- Compact size

APPLICATIONS

- IoT application
- Industrial application
-



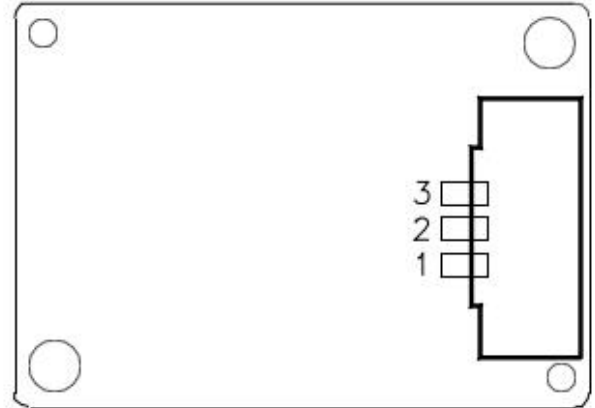
1.3 ELECTRICAL CHARACTERISTICS(at 25°C)

Parameter	MIN	TYP	MAX	UNITS	CONDITIONS
PowerSupply					
VCC	3.2	3.3	3.4	V	
Current		55		mA	All function on
Transmitter					
Output power EIRP		6		dBm	
Phase noise		-96		dBc/Hz	@1MHz offset
Receiver					
Noise figure		10		dB	DSB
Antenna					
TX antenna gain		2		dB	
TX side lobe suppression		20		dB	
RX antenna gain		2		dB	
RX side lobe suppression		20		dB	
TX antenna pattern (3dB)		±38		deg	azimuth
		±38		deg	elevation
RX antenna pattern (3dB)		±38		deg	azimuth
		±38		deg	elevation
Parameter	MIN	TYP	MAX	UNITS	CONDITIONS
PowerSupply					
VCC	3.2	3.3	3.4	V	

1.4 CONNECTOR INFORMATION

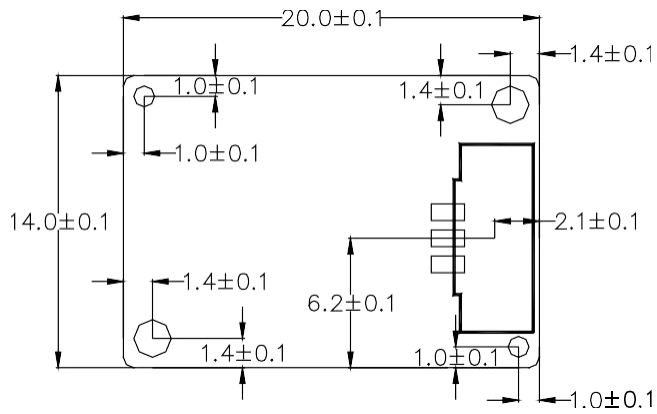
The connector is a 2mm 3 pin connector

pin	name	notes
1	VO	Detect controller output pin
2	GND	Ground
3	VCC	Power supply

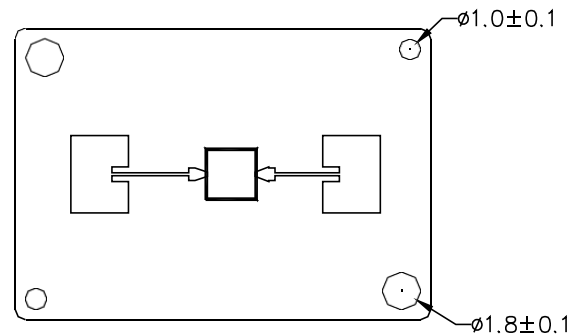


BOTTOM VIEW

1.5 MECHANICAL OUTLINES(mm)



TOP VIEW



BOTTOM VIEW