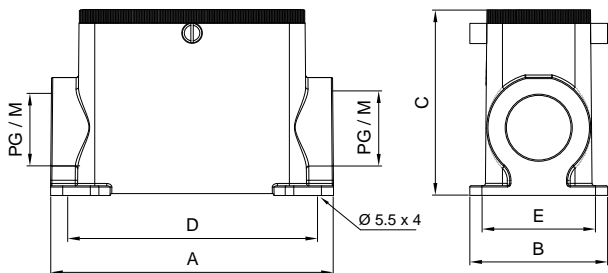


Surface mounting housings with 2 pegs for one central lever
Custodie da parete con 2 perni per leva centrale

Size <i>Grandezza</i>	Thread <i>Filettatura</i>	Type HE-HV Part No. - Codice	Type HE Part No. - Codice
--------------------------	------------------------------	---------------------------------	------------------------------



For harsh environmental requirements
Per ambienti aggressivi


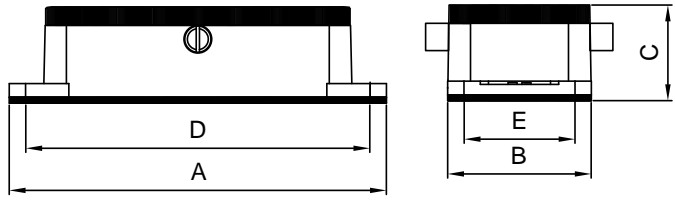
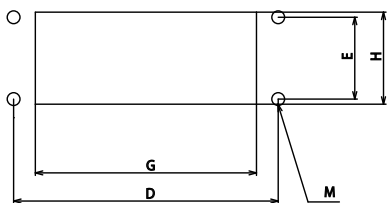


HC - High construction
HC - Costruzione alta

Size <i>Grandezza</i>	A	B	C	D	E
6B «44x27»	83.5	57	72	70	40
10B «57x27»	97	57	73	82	40
16B «77x27»	117	57	77	105	45
24B «104x27»	143.5	57	80	132	45


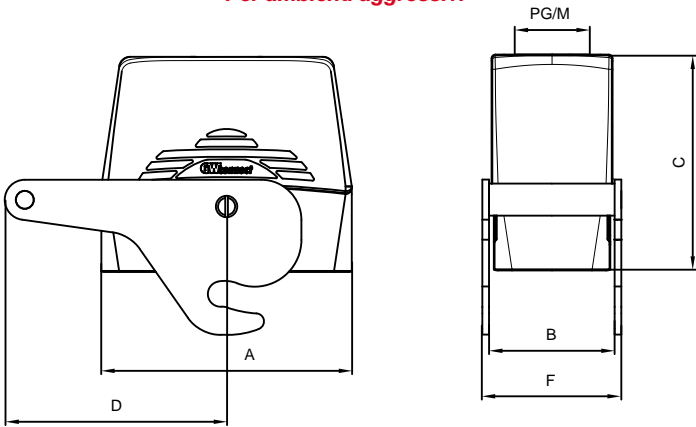


- Type: HE for harsh environmental requirements and inserts up to 500V series: S-D, S-DD, S-E, S-ES, S-EP, S-ESHV, S-EE,S-HSB, S-K, S-M, S-EHV with crimp contacts
 Type: HE-HV for harsh environmental requirements and inserts up to 830V series S-EHV screw terminals and S-HSB for applications over 500V up to 830V
- *Tipo: HE per ambienti aggressivi ed inserti fino a 500V serie: S-D, S-DD, S-E, S-ES, S-EP, S-ESHV, S-EE,S-HSB, S-K, S-M, S-EHV con contatti a crimpare*
Tipo: HE-HV per ambienti aggressivi ed inserti fino a 830V serie: S-EHV con terminali a vite e S-HSB per applicazioni oltre 500V fino a 830V
- IP66 / IP69 protection degree
Grado di protezione IP66 / IP69
- 2 entries
2 ingressi

Bulkhead mounting housings with 2 pegs for one central lever <i>Custodie da incasso con 2 perni per leva centrale</i>	Size <i>Grandezza</i>	Type HE-HV Part No. - Codice	Type HE Part No. - Codice																																													
	 <p style="text-align: center;">For harsh environmental requirements <i>Per ambienti aggressivi</i></p>   <p>Panel cut out <i>Foratura del pannello</i></p> <table border="1" data-bbox="119 1310 901 1512"> <thead> <tr> <th>Size <i>Grandezza</i></th> <th>A</th> <th>B</th> <th>C</th> <th>D</th> <th>E</th> <th>G</th> <th>H</th> <th>M</th> </tr> </thead> <tbody> <tr> <td>6B «44x27»</td> <td>82</td> <td>44</td> <td>29.5</td> <td>70</td> <td>32</td> <td>53</td> <td>36</td> <td>4.5</td> </tr> <tr> <td>10B «57x27»</td> <td>95.5</td> <td>44</td> <td>29.5</td> <td>83</td> <td>32</td> <td>66.5</td> <td>36</td> <td>4.5</td> </tr> <tr> <td>16B «77x27»</td> <td>115.5</td> <td>44</td> <td>29.5</td> <td>103</td> <td>32</td> <td>86.5</td> <td>36</td> <td>4.5</td> </tr> <tr> <td>24B «104x27»</td> <td>142.5</td> <td>44</td> <td>29.5</td> <td>130</td> <td>32</td> <td>113</td> <td>36</td> <td>4.5</td> </tr> </tbody> </table>	Size <i>Grandezza</i>	A	B	C	D	E	G	H	M	6B «44x27»	82	44	29.5	70	32	53	36	4.5	10B «57x27»	95.5	44	29.5	83	32	66.5	36	4.5	16B «77x27»	115.5	44	29.5	103	32	86.5	36	4.5	24B «104x27»	142.5	44	29.5	130	32	113	36	4.5	6B «44x27»	
Size <i>Grandezza</i>		A	B	C	D	E	G	H	M																																							
6B «44x27»		82	44	29.5	70	32	53	36	4.5																																							
10B «57x27»		95.5	44	29.5	83	32	66.5	36	4.5																																							
16B «77x27»	115.5	44	29.5	103	32	86.5	36	4.5																																								
24B «104x27»	142.5	44	29.5	130	32	113	36	4.5																																								
	10B «57x27»	7810.5271.3	7810.5271.1																																													
	16B «77x27»	7816.5272.3	7816.5272.1																																													
	24B «104x27»	7824.5273.3	7824.5273 .1																																													


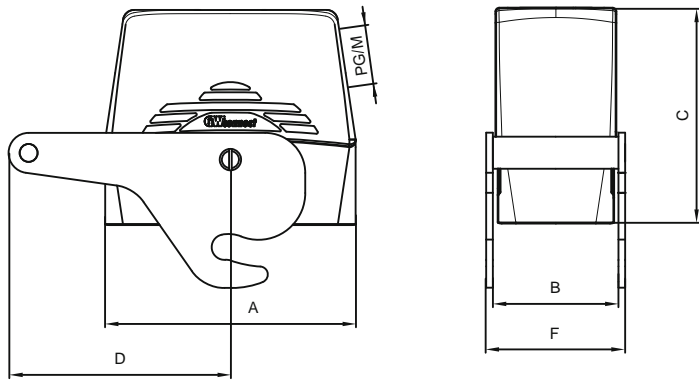


- Type: HE for harsh environmental requirements and inserts up to 500V series: S-D, S-DD, S-E, S-ES, S-EP, S-ESHV, S-EE,S-HSB, S-K, S-M, S-EHV with crimp contacts
 Type: HE-HV for harsh environmental requirements and inserts up to 830V series S-EHV screw terminals and S-HSB for applications over 500V up to 830V
- *Tipo: HE per ambienti aggressivi ed inserti fino a 500V serie: S-D, S-DD, S-E, S-ES, S-EP, S-ESHV, S-EE,S-HSB, S-K, S-M, S-EHV con contatti a crimpare*
Tipo: HE-HV per ambienti aggressivi ed inserti fino a 830V serie: S-EHV con terminali a vite e S-HSB per applicazioni oltre 500V fino a 830V.
- IP66 / IP69 protection degree
Grado di protezione IP66 / IP69

Hoods top entry with one central lever <i>Custodie ingresso verticale con una leva centrale</i>		Size <i>Grandezza</i>	Thread <i>Filettatura</i>	Type HE-HV Part No. - Codice	Type HE Part No. - Codice																													
 <p>For harsh environmental requirements <i>Per ambienti aggressivi</i></p>  <p>HC - High construction for IP68 cable glands <i>HC - Costruzione alta per pressacavi IP68</i></p> <table border="1"> <thead> <tr> <th>Size <i>Grandezza</i></th> <th>A</th> <th>B</th> <th>C</th> <th>D</th> <th>F</th> </tr> </thead> <tbody> <tr> <td>6B «44x27»</td> <td>60</td> <td>43.5</td> <td>77</td> <td>70</td> <td>56</td> </tr> <tr> <td>10B «57x27»</td> <td>73.5</td> <td>43.5</td> <td>77</td> <td>70</td> <td>56</td> </tr> <tr> <td>16B «77x27»</td> <td>94</td> <td>43.5</td> <td>77</td> <td>76</td> <td>56</td> </tr> <tr> <td>24B «104x27»</td> <td>120.5</td> <td>43.5</td> <td>77</td> <td>87</td> <td>56</td> </tr> </tbody> </table>	Size <i>Grandezza</i>	A	B	C	D	F	6B «44x27»	60	43.5	77	70	56	10B «57x27»	73.5	43.5	77	70	56	16B «77x27»	94	43.5	77	76	56	24B «104x27»	120.5	43.5	77	87	56	6B «44x27»	M 25		7806.5280.6
	Size <i>Grandezza</i>	A	B	C	D	F																												
	6B «44x27»	60	43.5	77	70	56																												
	10B «57x27»	73.5	43.5	77	70	56																												
	16B «77x27»	94	43.5	77	76	56																												
	24B «104x27»	120.5	43.5	77	87	56																												
	6B «44x27»	M 32		7806.5281.6																														
	10B «57x27»	M 32	7810.5285.8	7810.5285.6																														
	10B «57x27»	M 40	7810.5286.8	7810.5286.6																														
	16B «77x27»	M 32	7816.5290.8	7816.5290.6																														
16B «77x27»	M 40	7816.5291.8	7816.5291.6																															
24B «104x27»	M 32	7824.5295.8	7824.5295.6																															
24B «104x27»	M 40	7824.5296.8	7824.5296.6																															



- Type: HE for harsh environmental requirements and inserts up to 500V series: S-D, S-DD, S-E, S-ES, S-EP, S-ESHV, S-EE, S-HSB, S-K, S-M, S-EHV with crimp contacts
 Type: HE-HV for harsh environmental requirements and inserts up to 830V series S-EHV screw terminals and S-HSB for applications over 500V up to 830V
- Tipo: HE per ambienti aggressivi ed inserti fino a 500V serie: S-D, S-DD, S-E, S-ES, S-EP, S-ESHV, S-EE, S-HSB, S-K, S-M, S-EHV con contatti a crimpare
 Tipo: HE-HV per ambienti aggressivi ed inserti fino a 830V serie: S-EHV con terminali a vite e S-HSB per applicazioni oltre 500V fino a 830V
- IP66 / IP69 protection degree
Grado di protezione IP66 / IP69
- Recommended type for IP68 cable glands
Tipo raccomandato per pressacavi IP68

Hoods side entry with one central lever <i>Custodie ingresso orizzontale con una leva centrale</i>		Size <i>Grandezza</i>	Thread <i>Filettatura</i>	Type HE-HV <i>Part No. - Codice</i>	Type HE <i>Part No. - Codice</i>																														
 <p>For harsh environmental requirements <i>Per ambienti aggressivi</i></p>  <p>HC - High Construction for IP68 cable glands <i>HC - Costruzione alta per pressacavi IP68</i></p> <table border="1"> <thead> <tr> <th>Size <i>Grandezza</i></th> <th>A</th> <th>B</th> <th>C</th> <th>D</th> <th>F</th> </tr> </thead> <tbody> <tr> <td>6B «44x27»</td> <td>60</td> <td>43.5</td> <td>80</td> <td>70</td> <td>56</td> </tr> <tr> <td>10B «57x27»</td> <td>73.5</td> <td>43.5</td> <td>81</td> <td>70</td> <td>56</td> </tr> <tr> <td>16B «77x27»</td> <td>94</td> <td>43.5</td> <td>81</td> <td>76</td> <td>56</td> </tr> <tr> <td>24B «104x27»</td> <td>120.5</td> <td>43.5</td> <td>81</td> <td>87</td> <td>56</td> </tr> </tbody> </table>		Size <i>Grandezza</i>	A	B	C	D	F	6B «44x27»	60	43.5	80	70	56	10B «57x27»	73.5	43.5	81	70	56	16B «77x27»	94	43.5	81	76	56	24B «104x27»	120.5	43.5	81	87	56	6B «44x27»	M 25		7806.5299.6
		Size <i>Grandezza</i>	A	B	C	D	F																												
		6B «44x27»	60	43.5	80	70	56																												
		10B «57x27»	73.5	43.5	81	70	56																												
		16B «77x27»	94	43.5	81	76	56																												
		24B «104x27»	120.5	43.5	81	87	56																												
		6B «44x27»	M 32		7806.5300.6																														
		10B «57x27»	M 25	7810.5304.8	7810.5304.6																														
		10B «57x27»	M 32	7810.5305.8	7810.5305.6																														
		10B «57x27»	M 40	7810.5306.8	7810.5306.6																														
		16B «77x27»	M 25	7816.5309.8	7816.5309.6																														
		16B «77x27»	M 32	7816.5310.8	7816.5310.6																														
		16B «77x27»	M 40	7816.5311.8	7816.5311.6																														
		24B «104x27»	M 25	7824.5314.8	7824.5314.6																														
24B «104x27»	M 32	7824.5315.8	7824.5315.6																																
24B «104x27»	M 40	7824.5316.8	7824.5316.6																																



- Type: HE for harsh environmental requirements and inserts up to 500V series: S-D, S-DD, S-E, S-ES, S-EP, S-ESHV, S-EE,S-HSB, S-K, S-M, S-EHV with crimp contacts
Type: HE-HV for harsh environmental requirements and inserts up to 830V series S-EHV screw terminals and S-HSB for applications over 500V up to 830V
- Tipo: HE per ambienti aggressivi ed inserti fino a 500V serie: S-D, S-DD, S-E, S-ES, S-EP, S-ESHV, S-EE,S-HSB, S-K, S-M, S-EHV con contatti a crimpare
Tipo: HE-HV per ambienti aggressivi ed inserti fino a 830V serie: S-EHV con terminali a vite e S-HSB per applicazioni oltre 500V fino a 830V
- IP66 / IP69 protection degree
Grado di protezione IP66 / IP69
- Recommended type for IP68 cable glands
Tipo raccomandato per pressacavi IP68