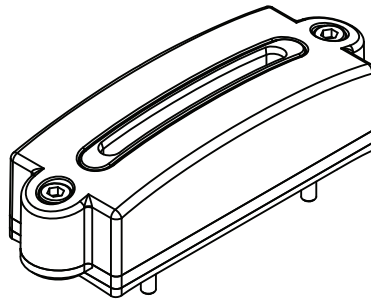


Technical characteristics

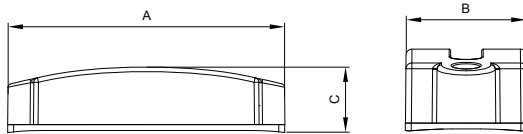
Size

Ribbon cable size
a x b

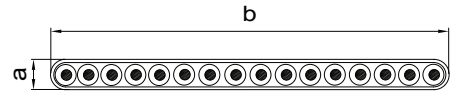
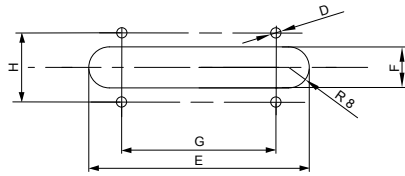
Part No.



IP66 / IP69K



Panel cut out



Size	a x b	Part No.
10B	3,8-5,1 x 18-22	7000.7360.0
10B	3,8-5,1 x 27-32	7000.7361.0
16B	3,8-5,1 x 42-46	7000.7370.0
16B	3,8-5,1 x 48-53	7000.7371.0
24B	3,8-5,1 x 62-66	7000.7380.0
24B	4,5-5,7 x 72-76	7000.7381.0

Cable gland for ribbon cables



Patented

IP protection:

IP66 / IP69K

Working temperature:

-40°C ÷ +100°C

Materials:

Pa 66 UL94 V-0

Gaskets:

Silicon

Characteristics

Special design of clamping die, sealing and rubber part prolonging cable life. Waterproof, dustproof, and high resistance to salt, acid, alkali, alcohol, grease and general solvent.

Applications

For sealed enclosures and boxes, where ribbon cable are used

Color: Grey RAL 7037, other colors on request

Size	A	B	C	D	E	F	G	H
10B	73	43,5	33	M4	39	16	29	27
16B	93,5	43,5	33	M4	59	16	49	27
24B	120	43,5	33	M4	86	16	60	27

