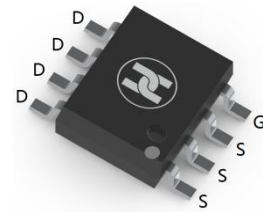
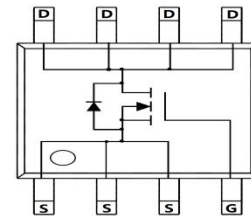


**LOW VOLTAGE MOSFET (N-CHANNEL)**
**FEATURES**

- Ultra low on-resistance:  $V_{DS}=30V, I_D=14A, R_{DS(ON)} \leq 9.5m\Omega @ V_{GS}=10V$
- For load switch and battery protection applications
- Surface Mount device


**SOP-8**

**MECHANICAL DATA**

- Case: SOP-8
- Case Material: Molded Plastic. UL flammability
- Classification Rating: 94V-0
- Moisture Sensitivity: Level 1 per J-STD-020
- Weight: 0.3 grams (approximate)

**MAXIMUM RATINGS ( $T_A = 25^\circ C$  unless otherwise noted)**

Parameter	Symbol	Value	Unit
Drain-source voltage	$V_{DS}$	30	V
Gate-source voltage	$V_{GS}$	$\pm 20$	V
Continuous drain current	$I_D$	$T_A = 25^\circ C$	14
		$T_A = 70^\circ C$	11.4
Pulsed drain current	$I_{DM}$	100	A
Avalanche current	$I_{AS}, I_{AR}$	20	A
Avalanche energy $L=0.1mH$	$E_{AS}, E_{AR}$	20	mJ
Power dissipation	$P_D$	$T_A = 25^\circ C$	3.1
		$T_A = 70^\circ C$	2
Thermal resistance from Junction to ambient	$R_{\theta JA}$	75	$^\circ C/W$
Thermal resistance from Junction to Lead	$R_{\theta JL}$	24	$^\circ C/W$
Junction temperature	$T_J$	150	$^\circ C$
Storage temperature	$T_{STG}$	-55 ~ +150	$^\circ C$

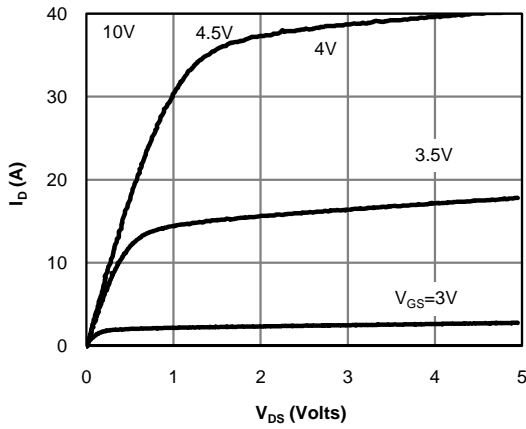
**ELECTRICAL CHARACTERISTICS ( $T_A = 25^\circ C$  unless otherwise specified)**

Parameter	Symbol	Min	Typ	Max	Unit	Conditions
Drain-Source breakdown voltage	$V_{(BR)DSS}^*$	30			V	$V_{GS}=0V, I_D=250\mu A$
Zero gate voltage drain current	$I_{DSS}^*$			1	$\mu A$	$V_{DS}=30V, V_{GS}=0V$
Gate-body leakage current	$I_{GSS}^*$			$\pm 100$	nA	$V_{DS}=0V, V_{GS}=\pm 20V$
Gate-threshold voltage	$V_{GS(th)}^*$	1.2	1.7	2.2	V	$V_{DS}=V_{GS}, I_D=250\mu A$
On-State Drain Current	$I_{D(ON)}$	100			A	$V_{DS}=5V, V_{GS}=10V$
Drain-source on-resistance	$R_{DS(ON)}^*$		7.6	9.5	m $\Omega$	$V_{GS}=10V, I_D=14A$
			11	13	m $\Omega$	$V_{GS}=10V, I_D=14A, T_J=125^\circ C$
			11	14	m $\Omega$	$V_{GS}=4.5V, I_D=11A$
Forward transconductance	$g_{FS}$		43		S	$V_{DS}=5V, I_D=14A$
Diode forward voltage	$V_{SD}$		0.74	1.0	V	$I_S=1A, V_{GS}=0V$
Diode forward current	$I_S$			3	A	
Input capacitance	$C_{iss}$		770		pF	$V_{DS}=15V, V_{GS}=0V, f=1MHz$
Output capacitance	$C_{oss}$		240		pF	
Reverse transfer capacitance	$C_{rss}$		77		pF	
Gate resistance	$R_g$	0.4	0.8	1.6	$\Omega$	$V_{DS}=0V, V_{GS}=0V, f=1MHz$
Total gate charge	$Q_g$		7.1	9	nC	$V_{GS}=4.5V, V_{DS}=15V, I_D=14A$
Total gate charge			14.8	18	nC	
Gate-source charge	$Q_{gs}$		2.2		nC	$V_{GS}=10V, V_{DS}=15V, I_D=14A$
Gate-drain charge	$Q_{gd}$		3.1		nC	
Turn-on delay time	$t_{d(on)}$		5		nS	$V_{GS}=10V, V_{DS}=15V, R_{GEN}=3\Omega, R_L=1.05\Omega$
Turn-on rise time	$t_r$		3		nS	
Turn-off delay time	$t_{d(off)}$		18		nS	
Turn-off fall time	$t_f$		3		nS	
Body Diode Reverse Recovery Time	$t_{rr}$		11		nS	
Body Diode Reverse Recovery Charge	$Q_{rr}$		23		nC	$I_F=14A, di/dt=500A/\mu s$

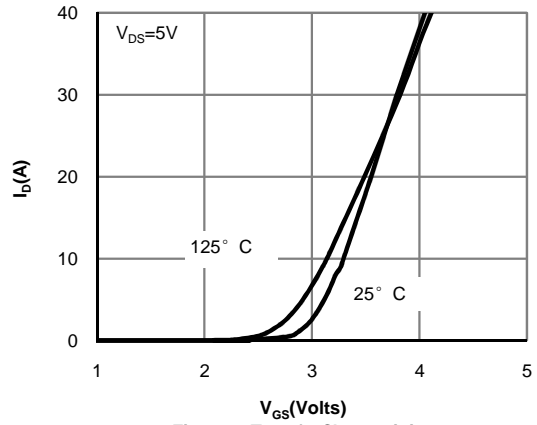
\*Pulse test ; Pulse width  $\leq 300\mu s$ , Duty cycle  $\leq 0.5\%$  .

**LOW VOLTAGE MOSFET (N-CHANNEL)**

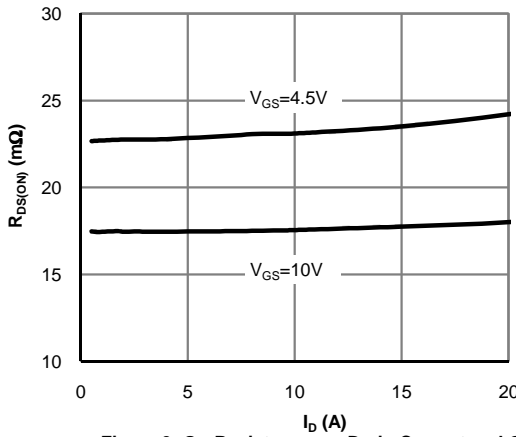
**Typical Characteristics**



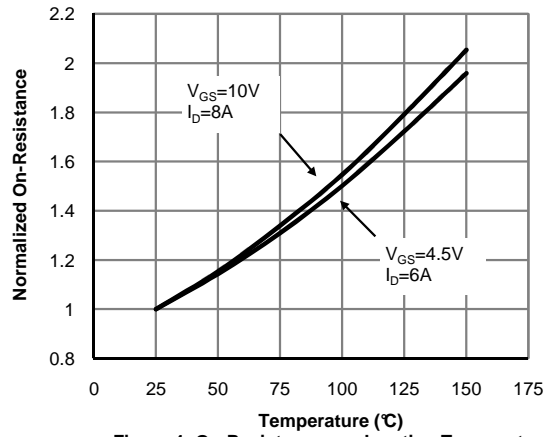
**Figure 1: On-Region Characteristics**



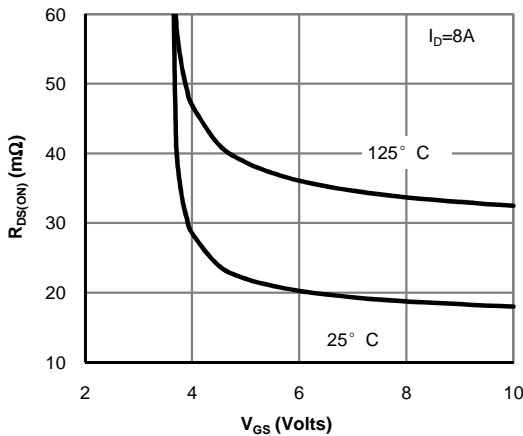
**Figure 2: Transfer Characteristics**



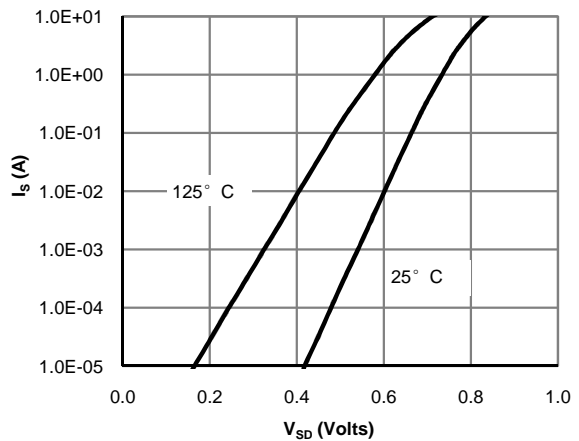
**Figure 3: On-Resistance vs. Drain Current and Gate Voltage**



**Figure 4: On-Resistance vs. Junction Temperature**



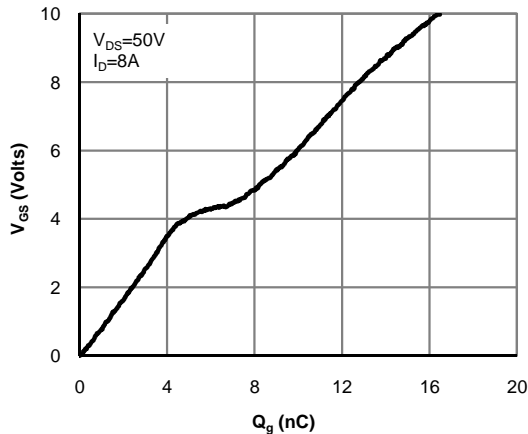
**Figure 5: On-Resistance vs. Gate-Source Voltage**



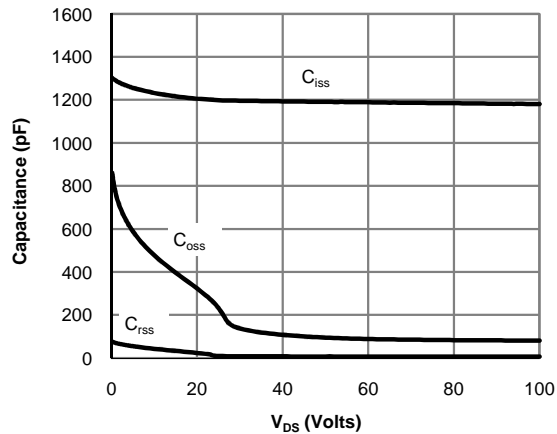
**Figure 6: Body-Diode Characteristics**

**LOW VOLTAGE MOSFET (N-CHANNEL)**

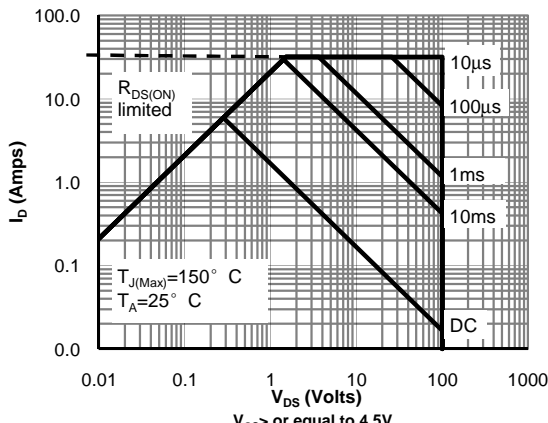
**TYPICAL ELECTRICAL AND THERMAL CHARACTERISTICS**



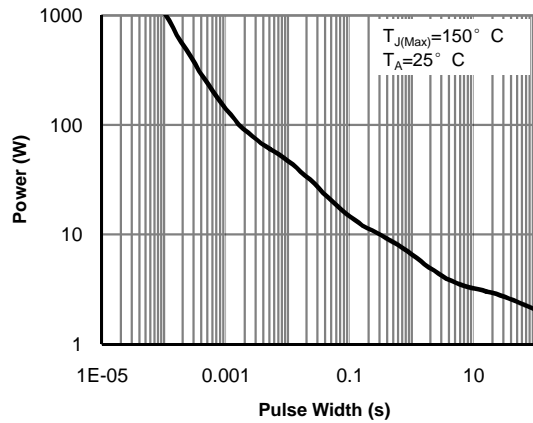
**Figure 7: Gate-Charge Characteristics**



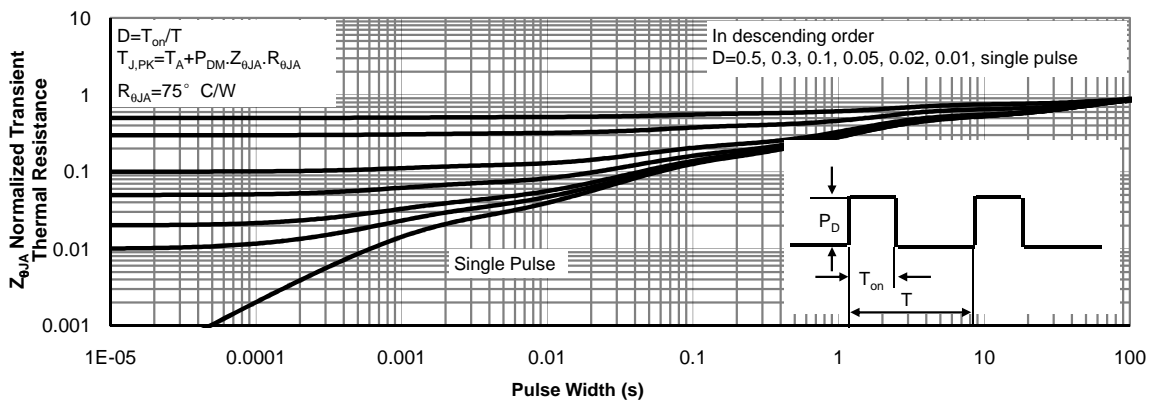
**Figure 8: Capacitance Characteristics**



**Figure 9: Maximum Forward Biased Safe Operating Area**



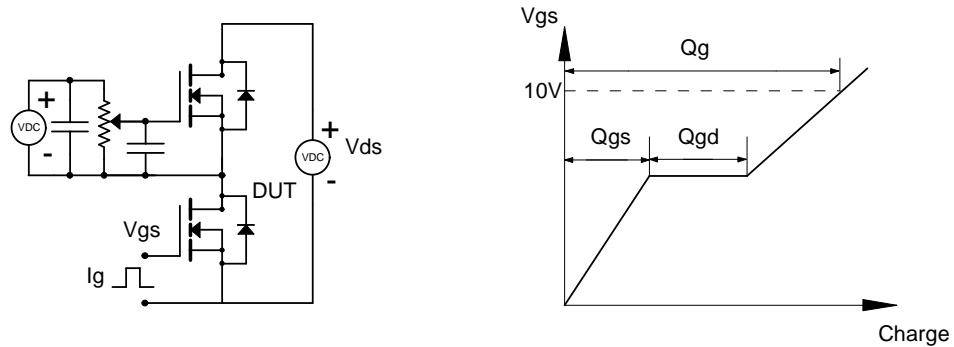
**Figure 10: Single Pulse Power Rating Junction-to-Ambient**



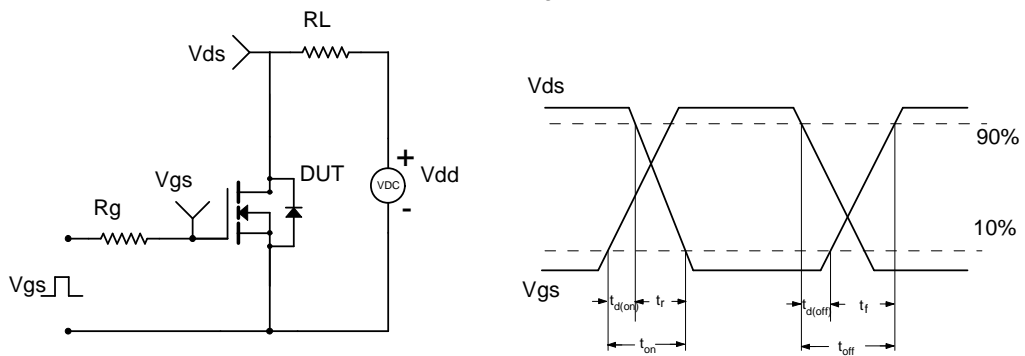
**Figure 11: Normalized Maximum Transient Thermal Impedance**

**LOW VOLTAGE MOSFET (N-CHANNEL)**

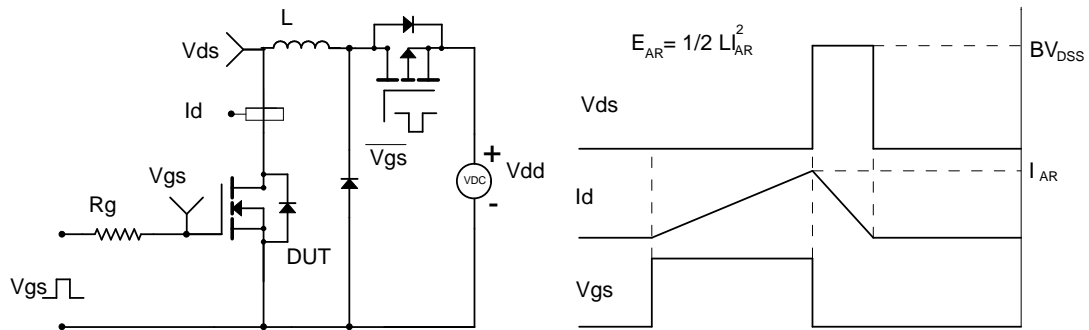
Gate Charge Test Circuit & Waveform



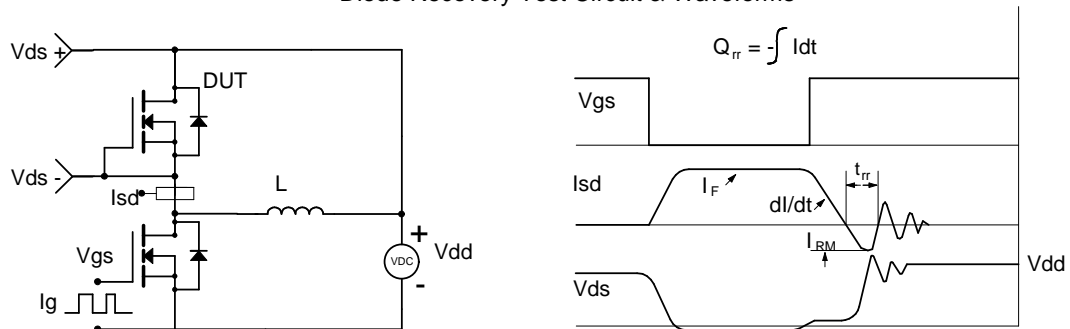
Resistive Switching Test Circuit & Waveforms

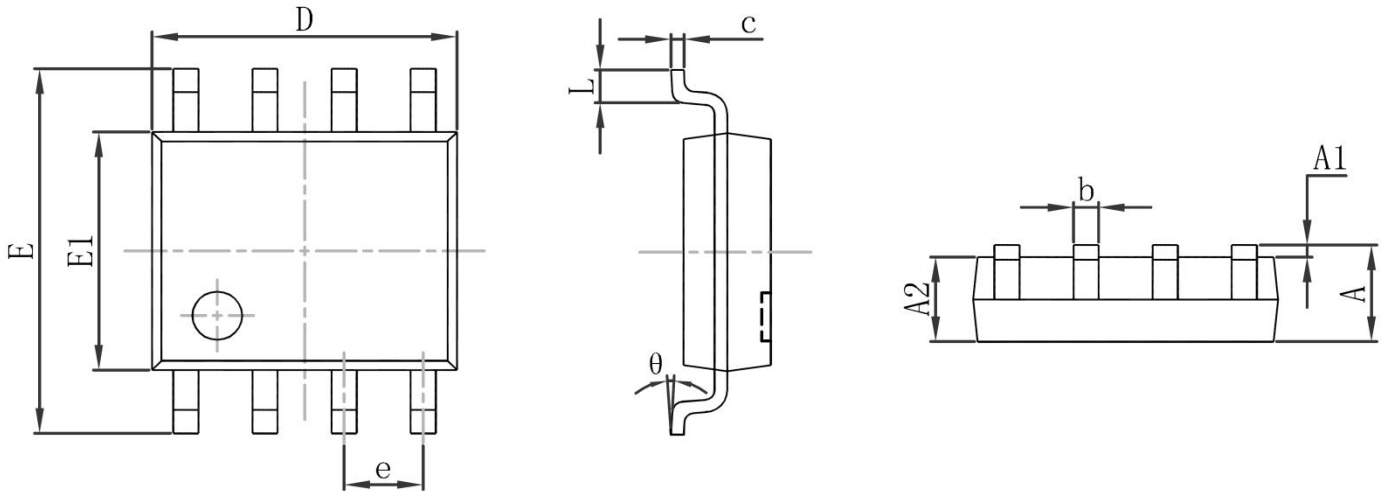


Unclamped Inductive Switching (UIS) Test Circuit & Waveforms

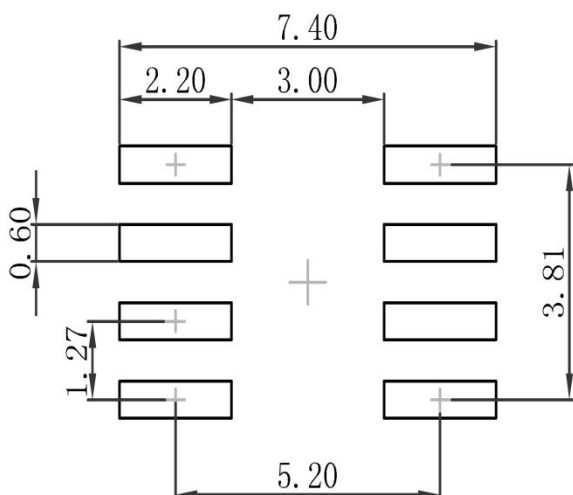


Diode Recovery Test Circuit & Waveforms



**LOW VOLTAGE MOSFET (N-CHANNEL)**
**SOP-8 Package Outline Dimensions**


Symbol	Dimensions In Millimeters		Dimensions In Inches	
	Min.	Max.	Min.	Max.
A	1.350	1.750	0.053	0.069
A1	0.100	0.250	0.004	0.010
A2	1.350	1.550	0.053	0.061
b	0.330	0.510	0.013	0.020
c	0.170	0.250	0.007	0.010
D	4.800	5.000	0.189	0.197
e	1.270(BSC)		0.050 (BSC)	
E	5.800	6.200	0.228	0.244
E1	3.800	4.000	0.150	0.157
L	0.400	1.270	0.016	0.050
$\theta$	0°	8°	0°	8°

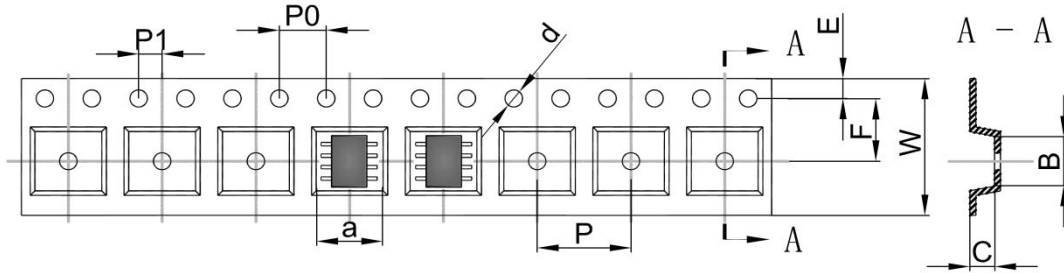
**SOP-8 Suggested Pad Layout**

**Note:**

1. Controlling dimension: in millimeters
2. General tolerance:  $\pm 0.05\text{mm}$
3. The pad layout is for reference purposes only

LOW VOLTAGE MOSFET (N-CHANNEL)

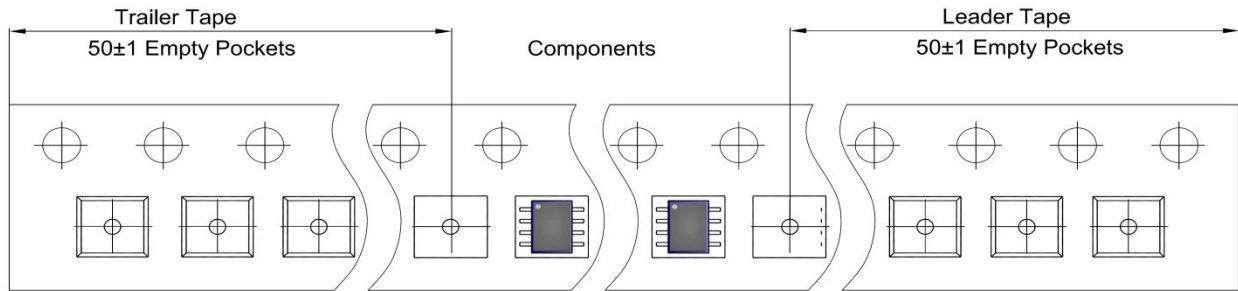
SOP-8 Tape and Reel

SOP-8 Embossed Carrier Tape

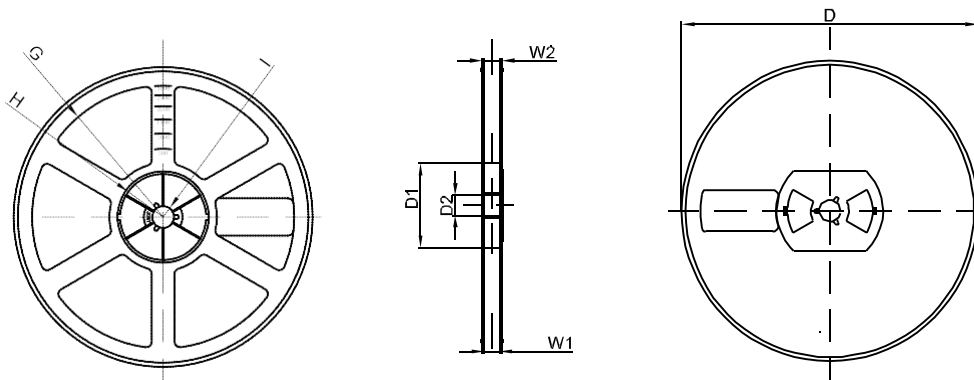


DIMENSIONS ARE IN MILLIMETER										
TYPE	A	B	C	d	E	F	P0	P	P1	W
SOP-8	6.40	5.40	2.10	Ø1.50	1.75	5.50	4.00	8.00	2.00	12.00
TOLERANCE	±0.1	±0.1	±0.1	±0.1	±0.1	±0.1	±0.1	±0.1	±0.1	±0.1

SOP-8 Tape Leader and Trailer



SOP-8 Reel



DIMENSIONS ARE IN MILLIMETER								
REEL OPTION	D	D1	D2	G	H	I	W1	W2
13" DIA	Ø330.00	100.00	13.00	R151.00	R56.00	R6.50	12.40	17.60
TOLERANCE	±2	±1	±1	±1	±1	±1	±1	±1