

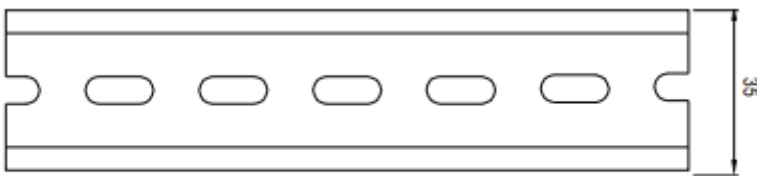
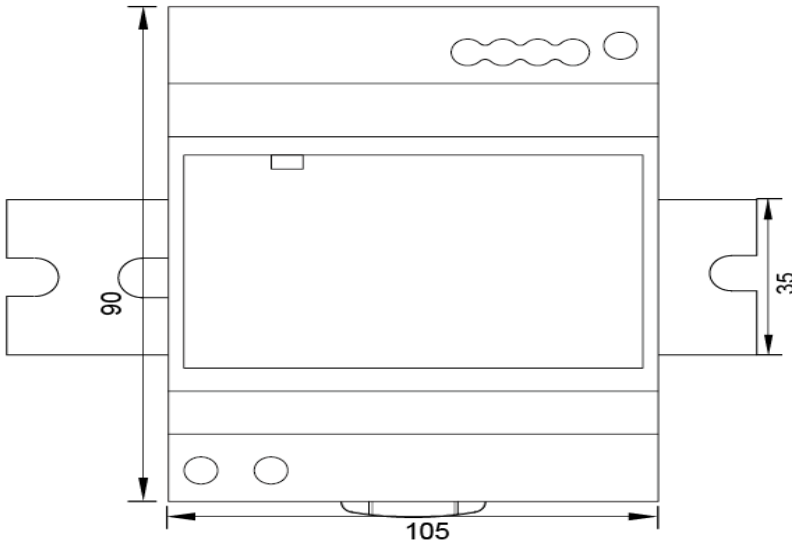
Input: 90-240VAC 50/60Hz
Output Voltage: 5V-48V DC
Rated Power: 150W max.



■ Features:

1. High Efficiency
2. 100% Full Load Burn-In
3. Low Ripple & Noise
4. Adjustable DC Voltage Output
5. Class II Isolation Level
6. Protections: Overload / Over Voltage / Short Circuit
7. Three-year Warranty

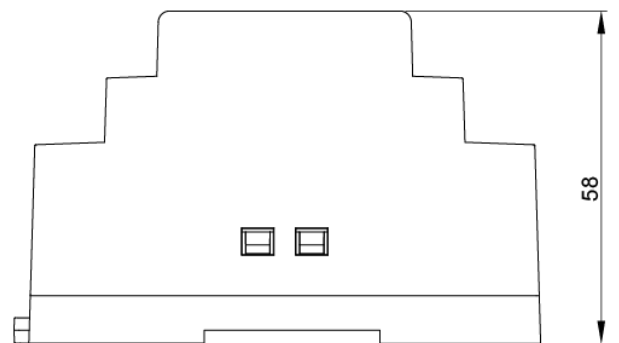
■ Dimensions and Installation:



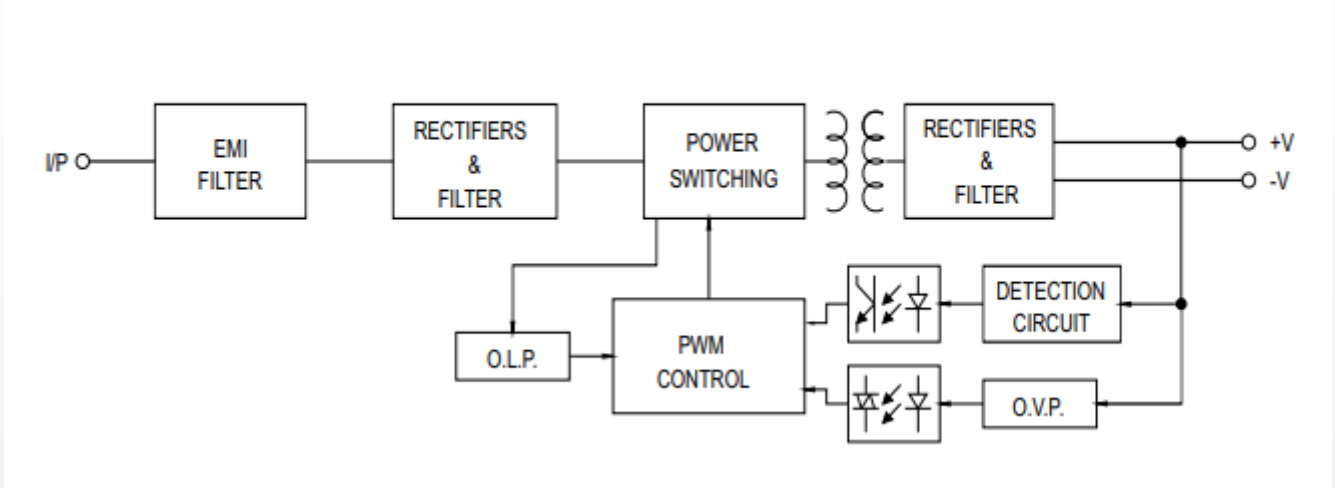
ADMISSIBLE DIN-RAIL: TS35/7.5 OR TS35/15

Terminal Pin No. Assignment

Pin No.	Assignment	Pin No.	Assignment
1	AC/N	3,4	-V
2	AC/L	5,6	+V

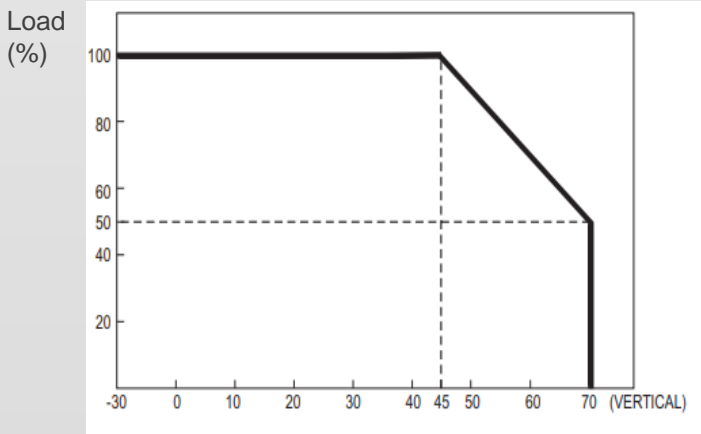


■ Block Diagram

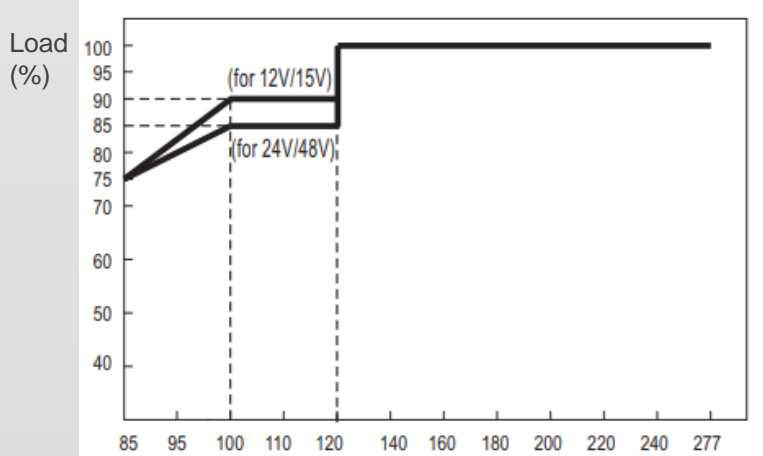


■ Deduction Curve and Temperature:

■ Minus Output and Input Voltage Curves:



Environment Temperature (°C)



Input Voltage (VAC)

ORDER NO.		YSD150S-12(230V)	YSD150S-12(115V)	YSD150S-15(230V)	YSD150S-15(115V)	YSD150S-24(230V)	YSD150S-24(115V)	YSD150S-48(230V)	YSD150S-48(115V)
INPUT	Input Voltage:	90-264VAC							
	Input Frequency:	47-63Hz							
	Inrush Current:	35Amps max. at 115VAC/60Hz, Full Load & 70Amps max. at 240VAC/50Hz, Full Load							
	AC Current:	3A/115VAC 1.6A/230VAC							
	Leakage Current: (MAX)	< 0.25mA/240VAC							
	Efficiency:	89%	89%	89.5%	89.5%	90%	90%	90%	90%
OUTPUT	DC Voltage:	12V	12V	15V	15V	24V	24V	48V	48V
	Rated Current :	11.3A	10.2A	9.5A	8.5A	6.25A	5.3A	3.2A	2.7A
	Rated Power:	135.6W	122.4W	142.5W	127.5W	150W	127.4W	153.6W	130.6W
	Ripple and Noise:	100mVp-p		120mVp-p		150mVp-p		200mVp-p	
	Line Regulation:	±1%							
	Load Regulation:	±1%							
	Setup, Rise, Hold Up Time:	500mS/ 60mS/ 12mS (115V/60HZ MAX ROAD) 500mS/ 60mS/ 30mS (230V/50HZ MAX ROAD)							
ENVIRONMENTAL	Operating Temperature:	-20°C to 50°C, Full Load, Normal Operation.							
	Storage Temperature:	-40°C to 80°C							
	Storage Humidity:	10 ~ 95% RH							
	Working Humidity:	20% ~ 90% RH Non-Condensing							
PROTECTIONS	Overload Protection:	>130%-200% Rated Output Power Protection type: Hiccup Mode- recovers automatically after fault condition is removed							
	Over Voltage Protection:	110~145% Protection Type: Clamp by Zener diode							
	Short Circuit Protection:	Protection to Zero Voltage							
	Over Current Protection:	110%-180%							
SAFETY & EMC	Safety Regulations:	EN62368-1, IEC62368-1, UL62368-1							
	Withstand Voltage:	I/P-O/P: 3KVAC							
	Isolation Resistance:	I/P-O/P: 100M Ohms / 500VDC / 25 / 70% RH							
	EMC Emission:	EN55032 (CISPR32) Class B, EN61000-3-2 Class A, EN61000-3-3, EN61000-4-2,3,4,5,6,8,11, EN55024, EN55035, EN61000-6-2, EN61204-3							
OTHER	MTBF:	200,000 Hours Minimum at Full Load at 25°C Ambient							
	Size:	90*105*58mm							
	Weight:	310g / pcs							
	Packaging:	50PCS/CTN							