

Features:

1. DIN Rail Power Supply
2. Voltage Range: 100-240VAC
3. Class II
4. Protections: Short circuit/Overload/Over Voltage
5. DIN rail TS-35/7.5 or 15 mountable
6. 3 years Warranty
7. Certification: UL,CE,ROHS

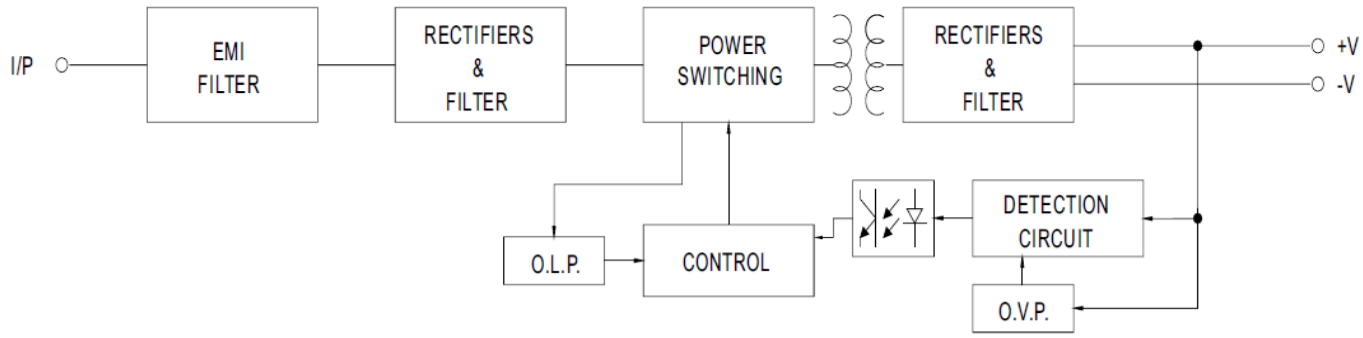


Electrical Specification:

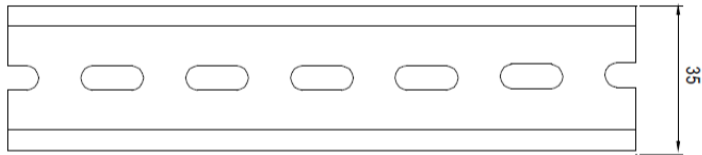
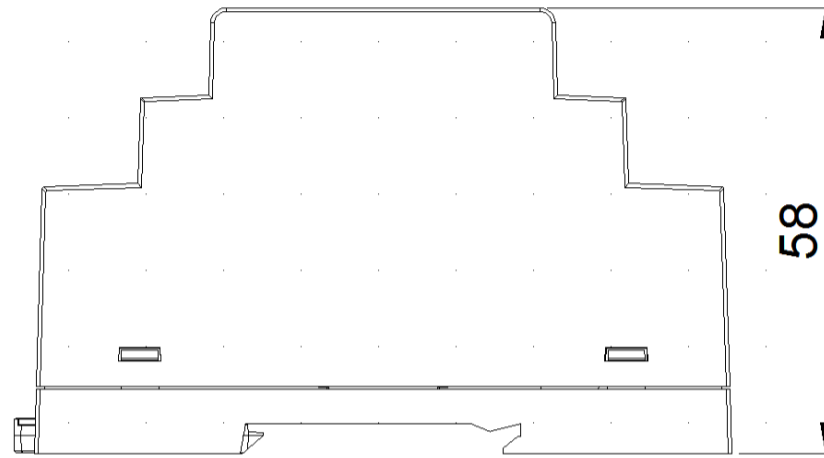
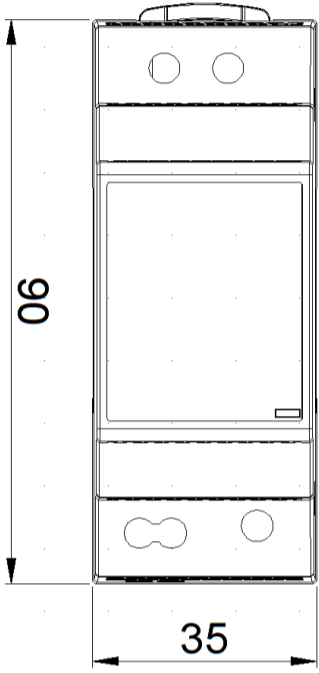


MODEL		YSD30S-2401250
INPUT	VOLTAGE RANGE	100-240VAC
	FREQUENCY RANGE	50/60Hz
	AC CURRENT(Typ.)	0.88A/115VAC 0.48A/230VAC
	INRUSH CURRENT(Typ.)	COLD START 25A/115VAC 45A/230VAC
	EFFICIENCY(Typ.)	87.0%
OUTPUT	DC VOLTAGE	24V
	RATED CURRENT	1.25A
	CURRENT RANGE	0~1.25A
	RATED POWER	30W
	RIPPLE&NOISE(max.)	240mV P-P
	VOLTAGE ADJ. RANGE	22-26V
	VOLTAGE TOLERANCE	±1%
	LINE REGULATION	±1%
	LOAD REGULATION	±1%
	SETUP, RISE TIME	1000mS,50mS/230VAC 2000mS,50mS/115VAC at full load
HOLD UP TIME (Typ.)	20mS/230VAC 10mS/115VAC at full load	
PROTECTION	OVERLOAD	105 ~ 160% rated output power Hiccup mode when output voltage <50%, recovers automatically after fault condition is removed Constant current limiting within50%~100% rated output voltage, recovers automatically after fault condition is removed
	OVER VOLTAGE	30-36V Protection type : Shut off o/p voltage, clamping by zener diode
ENVIRONMENT	WORKING TEMP.	" -10°C ~ +40°C
	WORKING HUMIDITY	"20~90%RHnon-condensing
	STORAGE TEMP., HUMIDITY	" - 40°C ~ +85°C, 10 ~ 95% RH non-condensing
	TEMP. COEFFICIENT	±0.03%/°C(0 ~ 50°C) RH non-condensing
	VIBRATION	10 ~ 500Hz, 2G 10min./1cycle, period for 60min. each along X, Y, Z axes; Mounting: Compliance to IEC60068-2-6
	OPERATING ALTITUDE	2000 meters
	OVER VOLTAGE CATEGORY	III;According to EN61558, EN50178,EN60664-1, EN62477-1;altitude up to 2000 meters
SAFTY & EMC	SAFTY	EN60950-1
	WITHSTAND VOLTAGE	I/P-O/P:3KVAC
	INSULATION RESISTANCE	I/P-O/P:100M Ohms / 500VDC / 25°C/ 70% RH
	EMC EMISSION EMC IMMUNITY	STANDARD: EN55032
PACKING	PRODUCT SIZE	35*90*58mm

**BLOCK Diagram**



**Mechanical Specification**  
(Unit: mm , tolerance  $\pm 0.5\text{mm}$ )



**Terminal Pin No. Assignment**

Pin No.	Assignment	Pin No.	Assignment
1	+V	3	AC/N
2	-V	4	AC/L

ADMISSIBLE DIN-RAIL: TS35/7.5 OR TS35/15