

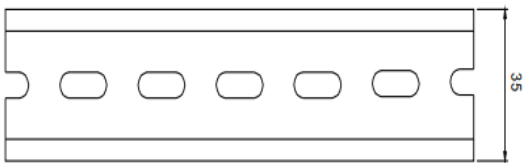
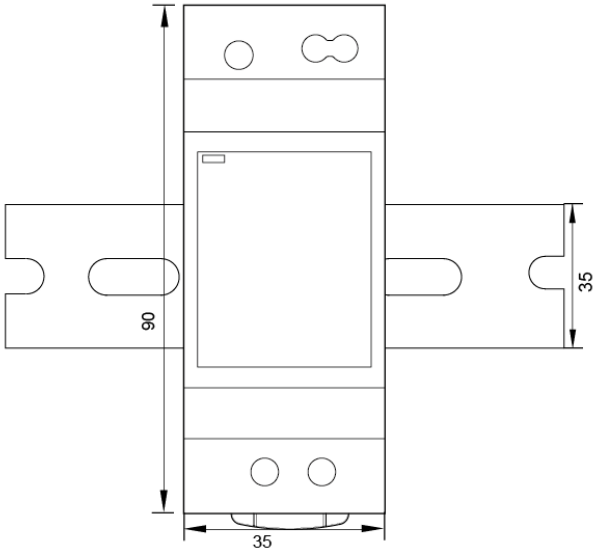
Input: 90-240VAC 50/60Hz
Output Voltage: 5V-48V DC
Rated Power: 30W max.



■ Features:

1. High Efficiency
2. 100% Full Load Burn-In
3. Low Ripple & Noise
4. Adjustable DC Voltage Output
5. Class II Isolation Level
6. Protections: Overload / Over Voltage / Short Circuit
7. Three-year warranty

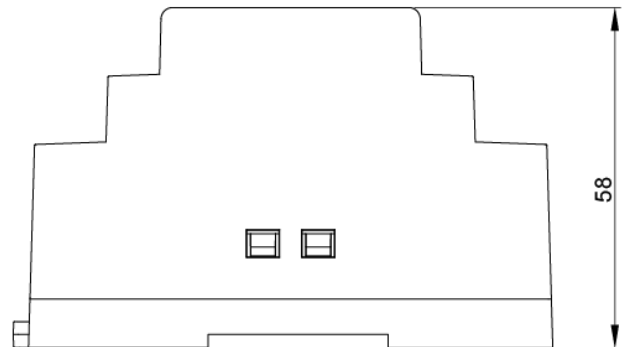
■ Dimensions and Installation:



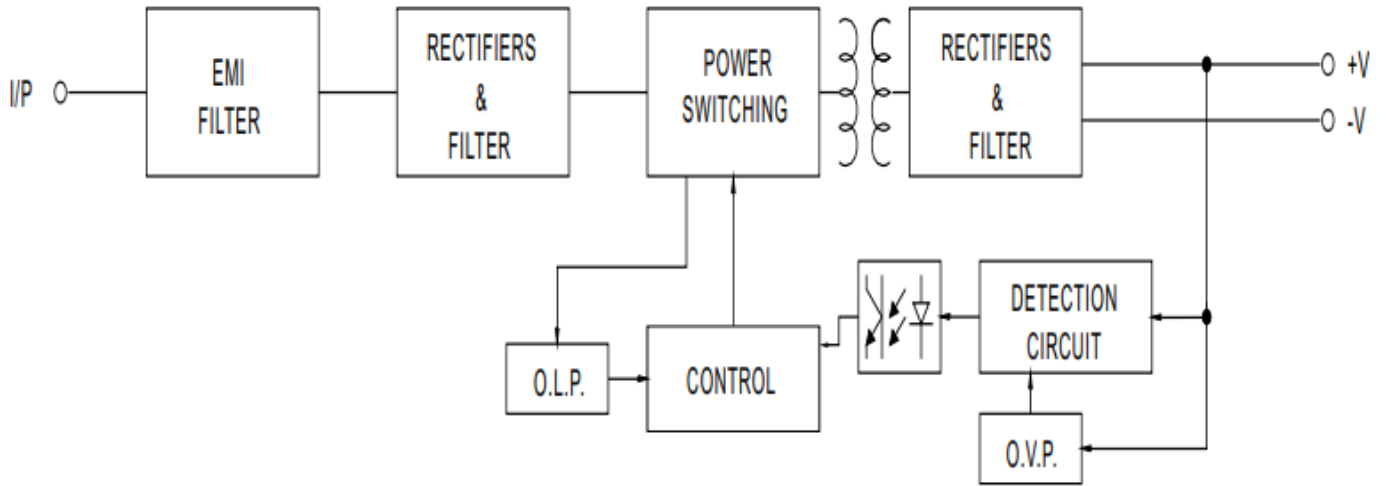
ADMISSIBLE DIN-RAIL: TS35/7.5 OR TS35/15

Terminal Pin No. Assignment

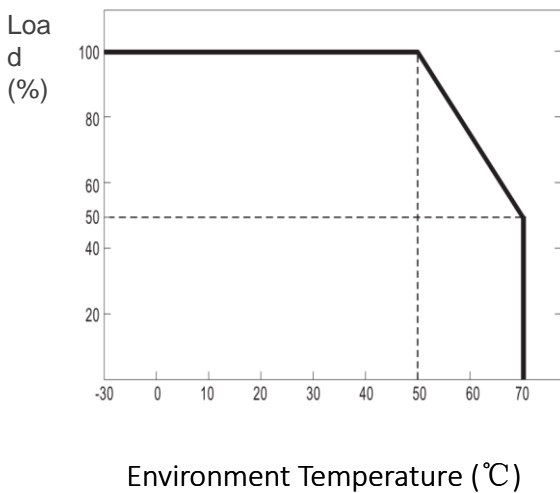
Pin No.	Assignment	Pin No.	Assignment
1	+V	3	AC/L
2	-V	4	AC/N



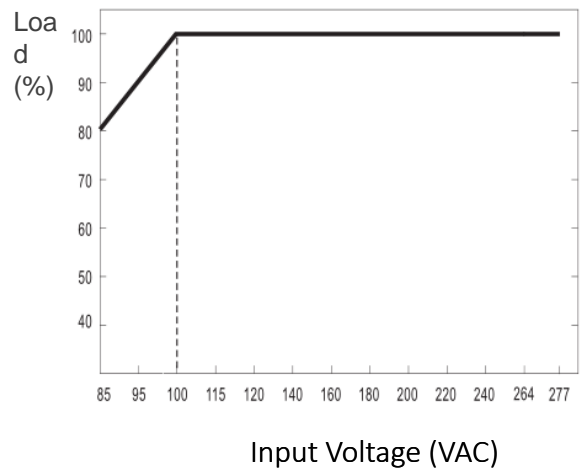
■ Block Diagram



■ Deduction Curve and Temperature:



■ Minus Output and Input Voltage Curves:



ORDER NO.		YSD30S-0503000	YSD30S-1202000	YSD30S-1502000	YSD30S-2401250	YSD30S-4800625
INPUT	Input Voltage	90-264VAC				
	Input Frequency	47-63Hz				
	Inrush Current	25 Amps max. at 115VAC/60Hz, Full Load & 45Amps max. at 240VAC/50Hz, Full Load				
	AC Current	0.88A/115VAC 0.48A/230VAC				
	Leakage Current (MAX)	< 0.25mA/240VAC				
	Efficiency	82%	88%	89%	89%	90%
OUTPUT	DC Voltage	5V	12V	15V	24V	48V
	Rated Current	3A	2A	2A	1.25A	0.625A
	Rated Power	15W	24W	30W	30W	30W
	Ripple and Noise	80mVp-p	120mVp-p	120mVp-p	150mVp-p	240mVp-p
	Line Regulation	±1%				
	Load Regulation	±1%				
	Setup, Rise, Hold Up Time	500mS/ 50mS/ 12mS (115V/60HZ MAX ROAD) 500mS/ 50mS/ 30mS (230V/50HZ MAX ROAD)				
ENVIRONMENTAL	Operating Temperature	-20°C to 50°C, Full Load, Normal Operation				
	Storage Temperature	-40°C to 80°C				
	Storage Humidity	10 ~ 95% RH				
	Working Humidity	20% ~ 90% RH Non-Condensing				
PROTECTIONS	Overload Protection	>130%-200% Rated Output Power				
		Protection type: Hiccup Mode- recovers automatically after fault condition is removed				
	Over Voltage Protection	110~145%				
		Protection Type: Clamp by Zener diode				
	Short Circuit Protection	Protection to Zero Voltage				
Over Current Protection	110%-180%					
SAFETY & EMC	Safety Regulations	UL62368-1, IEC62368-1, EN62368-1				
	Withstand Voltage	I/P-O/P: 3KVAC				
	Isolation Resistance	I/P-O/P: 100M Ohms / 500VDC / 25 / 70% RH				
	EMC Emission	EN55032 (CISPR32), CNS13438 Class B, EN61000-3-2 Class A, EN61000-3-3, EN61000-4-2,3,4,5,6,8,11, EN55024, EN55035, EN61000-6-2, EN61204-3				
OTHER	MTBF	200,000 Hours Minimum at Full Load at 25°C Ambient				
	Size	90*35*58mm				
	Weight	120g / pcs				
	Packaging	100PCS/CTN				