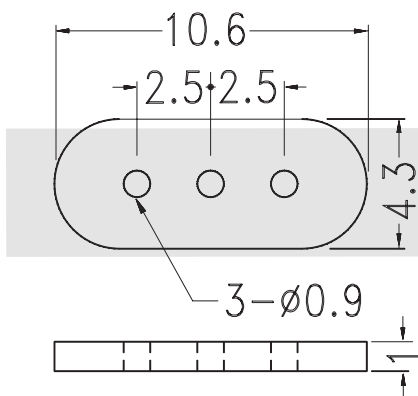


Washer and Screws Series

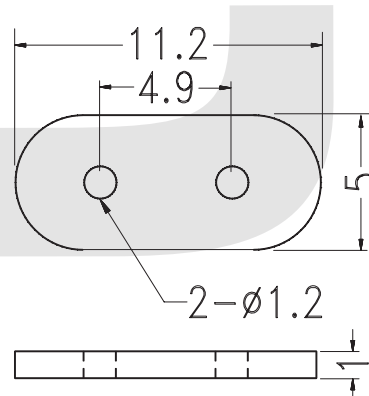
KLS8-0321 Transistor Washer Series

Material: UL approved Nylon 66, 94V-2

Unit:mm



CQW-1



CQW-3

ORDER INFORMATION

KLS8-0321 - CQW-1

