



SPEC NO.: RFS-008M

## **SPECIFICATION**

TO:STE620

Model Name: RF SAW FILTER

**PART NO: SSF1575.42W90S2520**

CUSTOMER PART NO.:

---

**STRONG ELECTRONICS&TECHNOLOGY LIMITED**

Tel:86-510-89881001 Fax: 86-755-84528986 510-89881001-68

Email:info@strongelectronics.net

www.sawfilter.cn

**APPLICATION:**

This specification shall cover the characteristics of SAW filter with Strong's P/N: SSF1575.42W90S2520

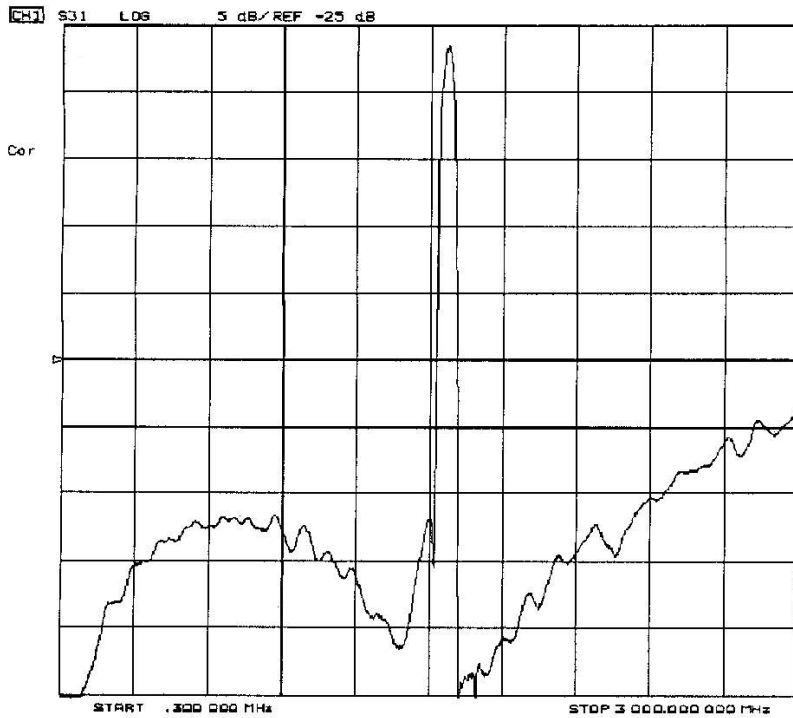
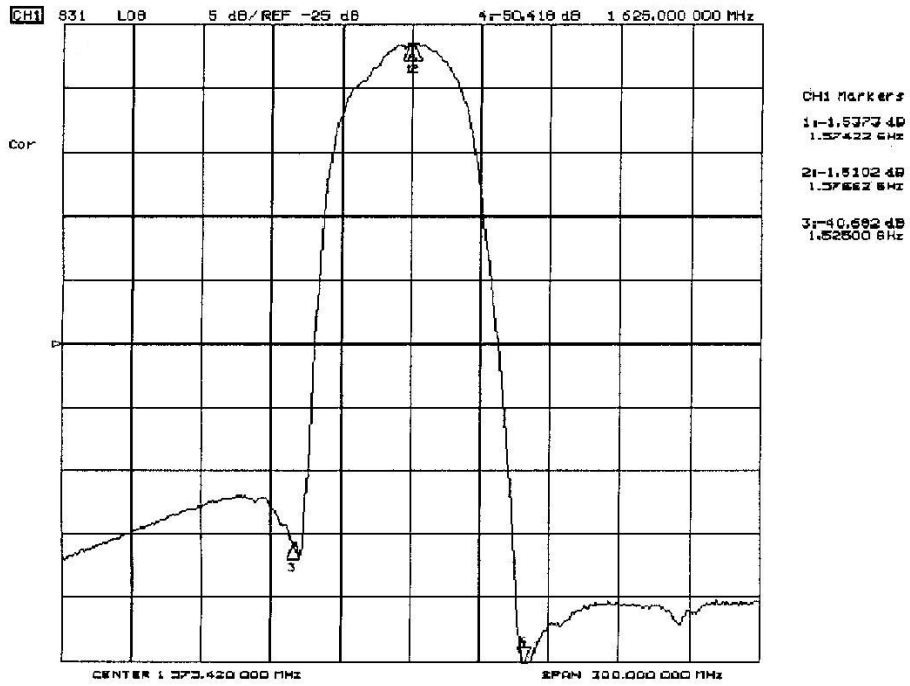
**1. Maximum Rating**

Item	Value
Operation Temperature Range	-40°C to +85°C
Storage Temperature Range	-40°C to +85°C
DC Permissive Voltage	5V DC max.
Maximum Input Power	10 dBm

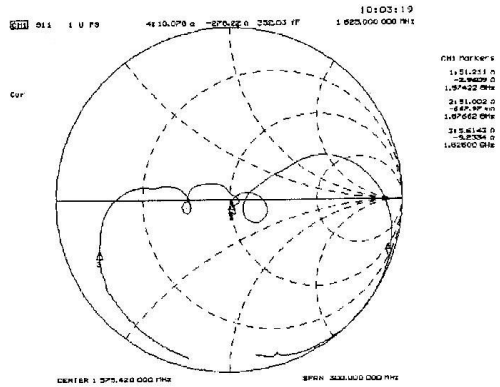
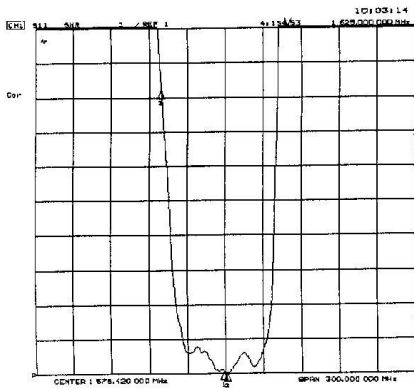
**2 Electronic Characteristics**

Item	Frequency (MHz)	Specification
Center Frequency (fo)	1575.42	
Insertion Loss	1574.22 ~ 1576.62	2.2dB Max.
Amplitude Ripple	1574.22 ~ 1576.62	1.0dB Max.
Attenuation (Reference level from 0dB)	D.C. ~ 1400 MHz 1400 ~ 1475 MHz 1475 ~ 1525 MHz 1625 ~ 1640 MHz 1640 ~ 2000 MHz 2000 ~ 3000 MHz	35 dB min. 30 dB min. 25 dB min. 30 dB min. 32 dB min. 20 dB min.
VSWR	1574.22 ~ 1576.62	2.0dB Max.
Source Impedance		50 Ω
Load Impedance		50 Ω

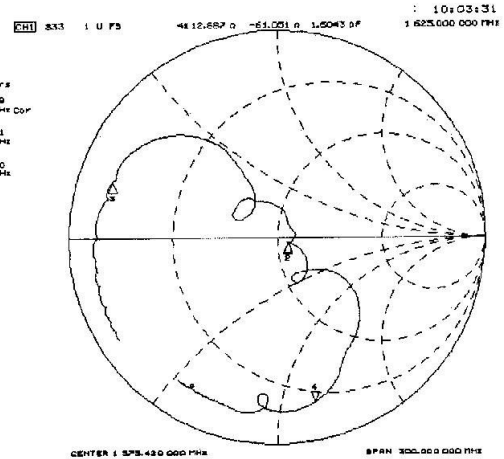
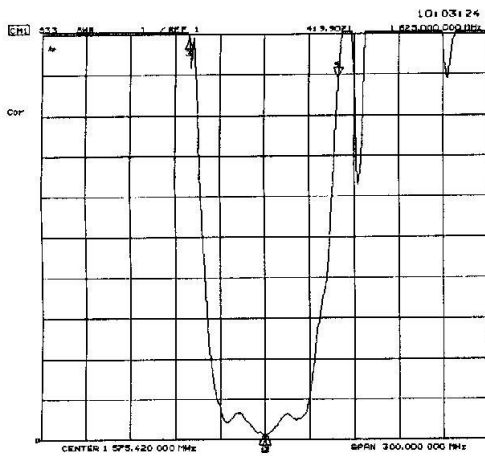
3. Frequency Characteristics  
 3.1 Transfer function



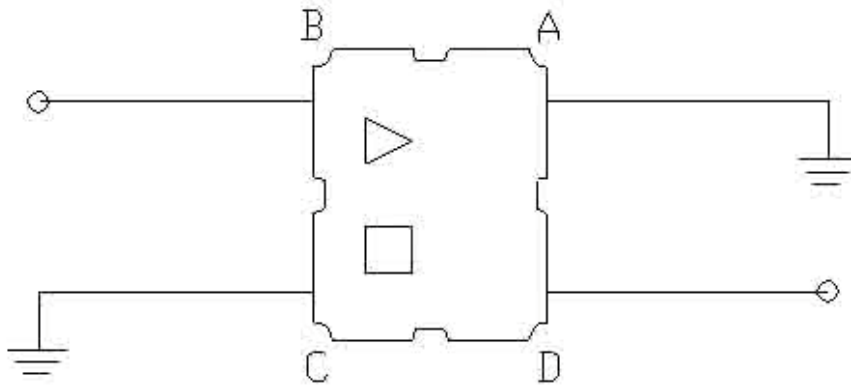
### 3.2 Reflections Functions S11 VSWR



### S22 VSWR

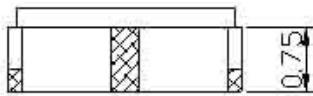
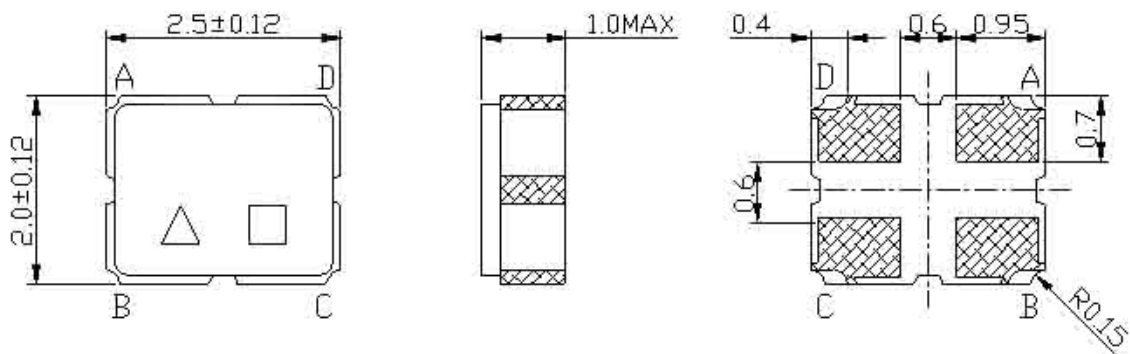


4. Measurement Circuit



5. Outline Drawing  
( S2520)

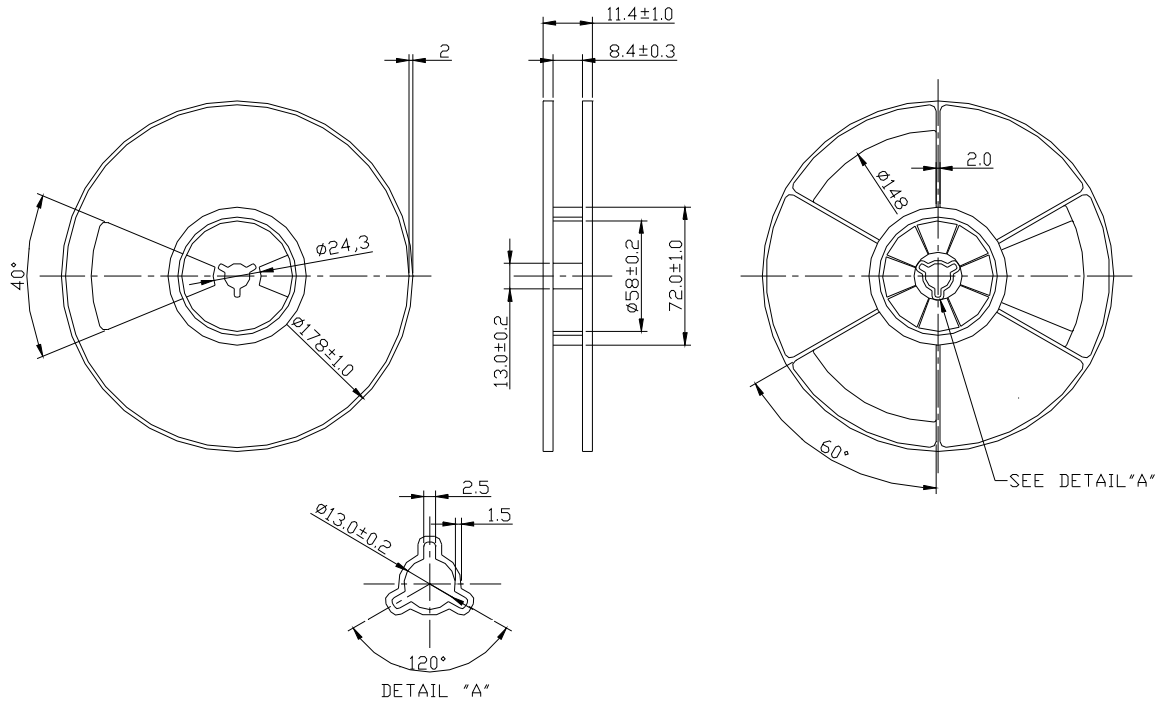
Unit: mm



B: Input  
 D: Output  
 A,C: Ground  
 △ Year code  
 □ Date code  
 Unit: mm

6 Packing

6.1 Reel Dimension



6.2 Tape Dimension

