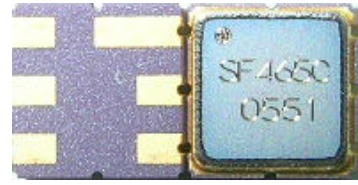
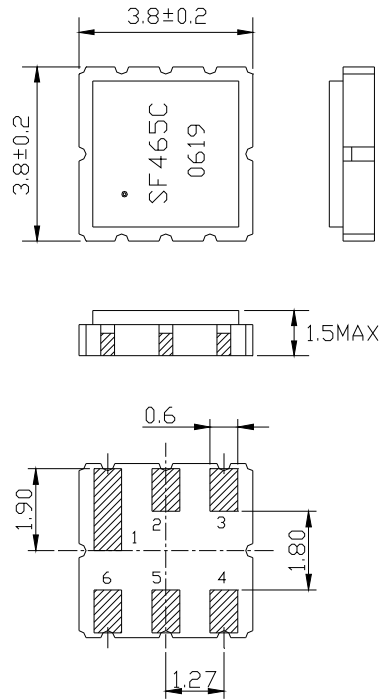


Approval Specification**RoHS Compliant****TO: RELL****Part No.: SSF465B06S3838****Customer's Part No.:****Application High Rejection RX-Filter for CDMA450.****Please return this copy as a certification of your approval****Checked & Approval by:****Date:**

1. Package Dimension

(S3838)

Unit: mm



| Pin No. | Function |
|---------|----------|
| Pin 2 | Input |
| Pin 5 | Ouput |
| Other | Ground |

2. Marking

SF465C
• 0551

- (1) Ink Marking or Laser Marking
- (2) 465C: Model code
- (3) • : Pin 1 Identifier
- (4) 05: Year
- (5) 51: Week

3. Performance

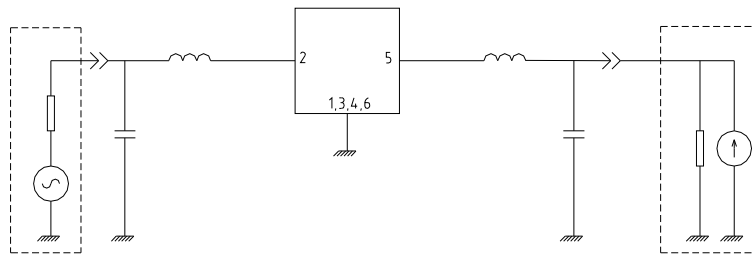
3.1 Maximum Rating

| Item | Value |
|-----------------------------|----------------|
| Operation Temperature Range | -30°C to +80°C |
| Storage Temperature Range | -40°C to +85°C |
| DC Permissive Voltage | 10V DC max. |
| Maximum Input Power | 27 dBm |

3.2 Electronic Characteristics

| Item | Frequency (MHz) | Specification |
|--------------------------------------|-------------------|---------------|
| Center Frequency (fo) | 465 | |
| Insertion Loss | 462.5 ~ 467.5 | 3.8 dB max. |
| VSWR | 462.5 ~ 467.5 | 2.0:1 max. |
| Relative Loss | 0.3 ~ 452.50 | 48 dB min. |
| | 452.50~ 456.73 | 40 dB min. |
| | 456.73~ 457.50 | 35 dB min. |
| | 485.00~ 1000.00 | 40 dB min. |
| | 1000.00 ~ 1700.00 | 30 dB min. |
| | 1700.00 ~ 2200.00 | 20 dB min. |
| Temperature Coefficient of Frequency | | -30 ppm/°C |
| Terminating Source Impedance | | 50 Ω |
| Terminating Load Impedance | | 50 Ω |

3.3 Test Circuit



3.3 Frequency Characteristics

