

---

Approved by:

Checked by:

Issued by:

# ***SPECIFICATION***

**PRODUCT: CRYSTAL FILTER**

---

**MODEL: UM-1-45M**

---

### 1. SCOPE

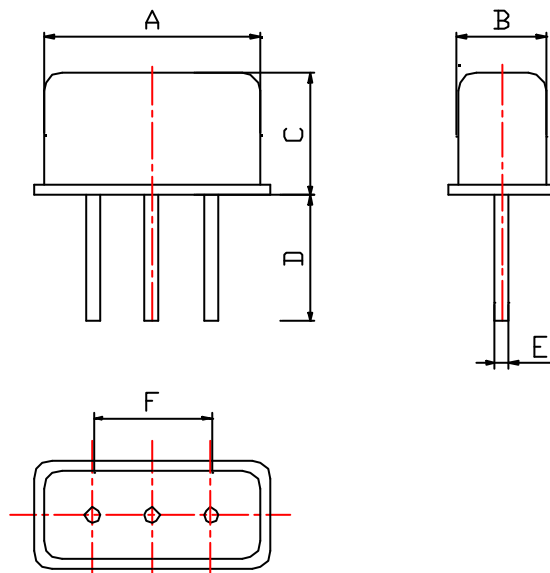
This specification shall cover the characteristics of crystal filter with P/N:

UM-1-45M15B

### 2. ELECTRICAL SPECIFICATION

ITEM	SPECIFICATION
Holder type	UM-1
Central Frequency	45.0MHz
Number of pole	4 poles
Pass Bandwidth	3dB/ $\pm 7.50$ KHz min.
Stop Bandwidth	40dB/ $\pm 22.0$ KHz max.
Ripple	1.5dB max.
Insertion Loss	3.0dB max.
Terminating Impedance	560 //3.0 pF//10pF
Operating temperature	-20~+70
Aging in one year	3ppm/year

### 3. DIMENSION



	A	B	C	D	E	F
UM-1	$7.8 \pm 0.2$	$3.0 \pm 0.2$	$7.8 \pm 0.2$	$12.5 \pm 1.0$	$0.35 \pm 0.05$	$3.75 \pm 0.2$