

# HF25F

# SUBMINIATURE HIGH POWER RELAY



File No.:E134517



File No.:40026917



File No.:R50207576



File No.:CQC09002028692



## Features

- Small and for microwave oven
- 20A switching capability
- 1.5HP 250VAC approved by UL standard
- 5kV impulse withstand voltage (between coil and contacts)
- PCB & QC layouts
- Flux proofed types available
- Environmental friendly product (RoHS compliant)
- Outline Dimensions: (22.8 x 12.3 x 24.4) mm

## CONTACT DATA

Contact arrangement	1A
Contact resistance	100mΩ max.(at 1A 6VDC)
Contact material	AgSnO <sub>2</sub>
Contact rating	Resistive: 20A 250VAC 1.5HP 250VAC
Max. switching voltage	250VAC / 30VDC
Max. switching current	20A
Max. switching power	5000VA / 480W
Mechanical endurance	2 x 10 <sup>6</sup> ops
Electrical endurance	1 x 10 <sup>5</sup> ops

## CHARACTERISTICS

Insulation resistance	1000MΩ (at 500VDC)	
Dielectric strength	Between coil & contacts	5000VAC 1min
	Between open contacts	1000VAC 1min
Operate time (at nomi. volt.)	15ms max.	
Release time (at nomi. volt.)	5ms max.	
Humidity	5% to 85% RH	
Shock resistance	Functional	98m/s <sup>2</sup>
	Destructive	980m/s <sup>2</sup>
Ambient temperature	-40°C to 85°C	
Vibration resistance	10Hz to 55Hz 1.5mm DA	
Termination	PCB & QC	
Unit weight	Approx. 16.5g	
Construction	Flux proofed	

- Notes:** 1) The data shown above are initial values.  
 2) Please find coil temperature curve in the characteristic curves below.  
 3) UL insulation system: Class A

## COIL

Coil power	Approx. 500mW
------------	---------------

## COIL DATA

at 23°C

Nominal Voltage VDC	Pick-up Voltage VDC max.	Drop-out Voltage VDC min.	Max. Allowable Voltage VDC	Coil Resistance Ω
5	3.75	0.25	6.50	50 x (1±10%)
6	4.50	0.30	7.80	72 x (1±10%)
9	6.75	0.45	11.7	162 x (1±10%)
12	9.00	0.60	15.6	288 x (1±10%)
18	13.5	0.90	23.4	648 x (1±10%)
24	18.0	1.20	31.2	1152 x (1±10%)

**Notes:** When requiring pick-up voltage <75% of nominal voltage, special order allowed.

## SAFETY APPROVAL RATINGS

UL/CUL	20A 250VAC
	16A 30VDC
	1.5HP 250VAC
VDE	20A 250VAC
	16A 30VDC
TÜV	20A 250VAC
	16A 30VDC

**Notes:** Only some typical ratings are listed above. If more details are required, please contact us.



HONGFA RELAY

ISO9001, ISO/TS16949, ISO14001, OHSAS18001, IECQ QC 080000 CERTIFIED

2012 Rev. 1.01

## ORDERING INFORMATION

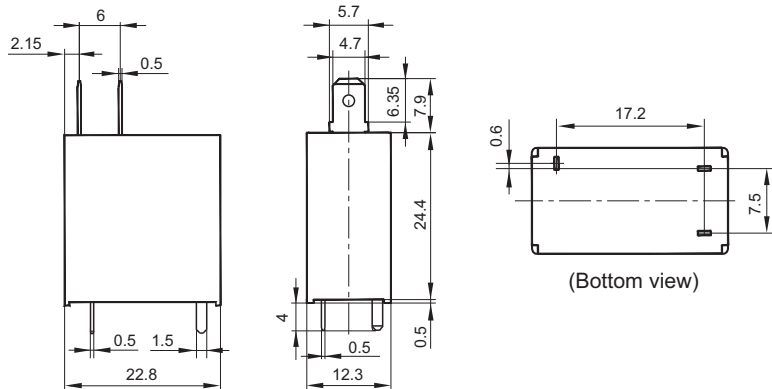
Type	HF25F /	012	-H	1	(XXX)
Coil voltage	5, 6, 9, 12, 18, 24VDC				
Contact arrangement	H: 1 Form A				
Version	1: 1 type	2: 2 type	3: 3 type	4: 4 type	Nil: Standard type
Customer special code					

## OUTLINE DIMENSIONS, WIRING DIAGRAM AND PC BOARD LAYOUT

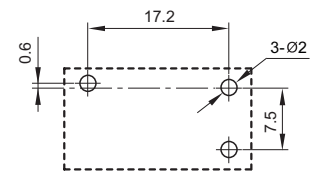
Unit: mm

Standard:

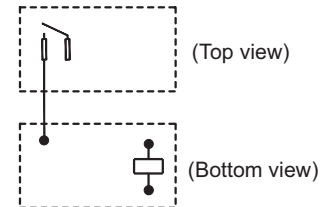
Outline Dimensions



PCB Layout (Bottom view)

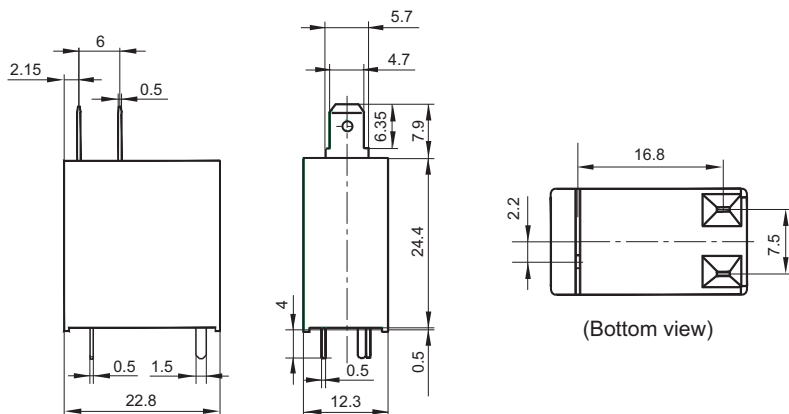


Wiring Diagram

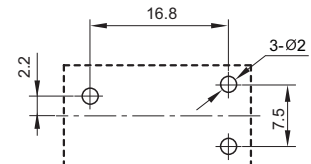


1 type:

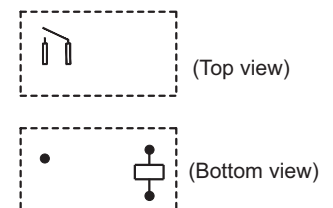
Outline Dimensions



PCB Layout (Bottom view)

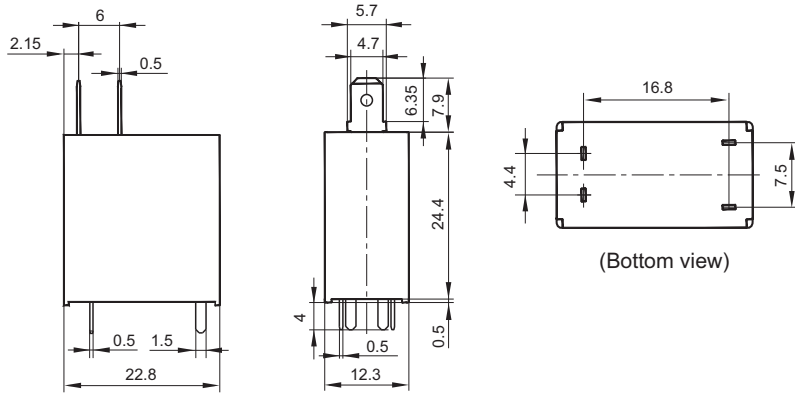


Wiring Diagram

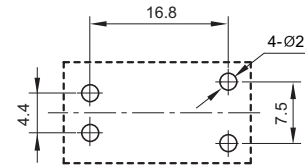


2 type:

Outline Dimensions



PCB Layout (Bottom view)



Wiring Diagram



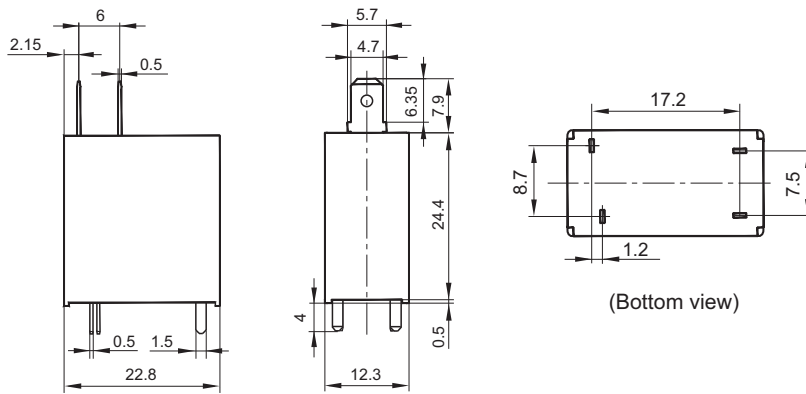
(Top view)



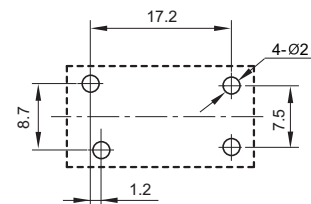
(Bottom view)

3 type:

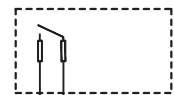
Outline Dimensions



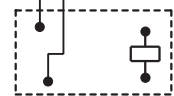
PCB Layout (Bottom view)



Wiring Diagram



(Top view)



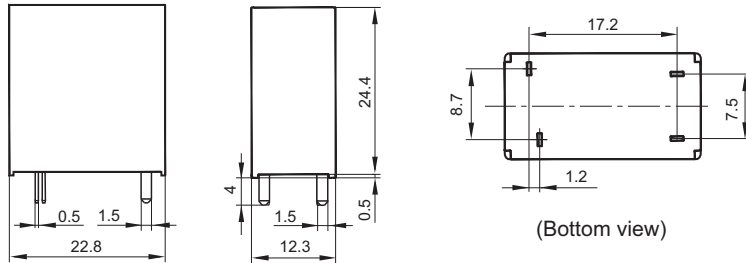
(Bottom view)

## OUTLINE DIMENSIONS, WIRING DIAGRAM AND PC BOARD LAYOUT

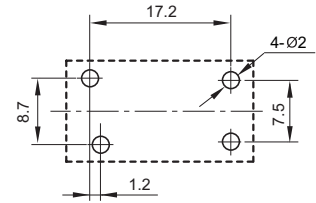
Unit: mm

4 type:

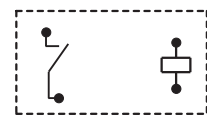
Outline Dimensions



PCB Layout (Bottom view)



Wiring Diagram

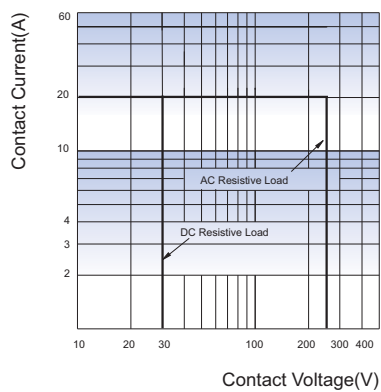


(Bottom view)

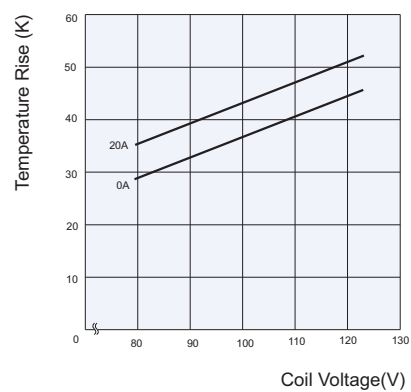
- Remark: 1) In case of no tolerance shown in outline dimension: outline dimension  $\leq 1\text{mm}$ , tolerance should be  $\pm 0.2\text{mm}$ ; outline dimension  $\leq 5\text{mm}$ , tolerance should be  $\pm 0.3\text{mm}$ ; outline dimension  $> 5\text{mm}$ , tolerance should be  $\pm 0.4\text{mm}$ .  
 2) The tolerance without indicating for PCB layout is always  $\pm 0.1\text{mm}$ .

## CHARACTERISTIC CURVES

MAXIMUM SWITCHING POWER



COIL TEMPERATURE RISE



### Disclaimer

This datasheet is for the customers' reference. All the specifications are subject to change without notice.

We could not evaluate all the performance and all the parameters for every possible application. Thus the user should be in a right position to choose the suitable product for their own application. If there is any query, please contact Hongfa for the technical service. However, it is the user's responsibility to determine which product should be used only.