

NVF10



27×25×31.5(+21)

Features

- Low profile.
- Insert mounting.
- Suitable for automation system and automobile auxiliary etc.

Ordering Information

NVF10 **A** **Z** **15** **R**
 1 2 3 4 5

1 Part number: NVF10 2 Contact arrangement: A:1A; 3 Enclosure: Z: Dust cover; 4 Contact current: 15A/14VDC;	5 Coil transient suppression: R:with resistance;
--	--

Contact Data

Contact Arrangement		1A(SPSTNO)	
Contact material		AgCdO	
Contact Rating (resistive)		15A/14VDC	
Max. Switching Power		210W	
Max. Switching voltage		75VDC	Max. Switching Current :15A
Contact resistance or Voltage drop		<100m Ω	Item 3.12 of IEC 60255-7
Operation life	Electrical	10 ⁵	Item 3.30 of IEC 60255-7
	Mechanical	10 ⁷	Item 3.31 of IEC 60255-7

Coil Parameter

Dash numbers	Coil voltage VDC		Coil resistance Ω ± 10%	Pick up voltage VDC(max) (58%of rated voltage)	Release voltage VDC(min) (5% of rated voltage)	Coil power consumption W	Operate Time ms	Release Time ms
	Rated	Max.						
012-4100	12	16	35	7.8	0.6	4.1	<10	≤10

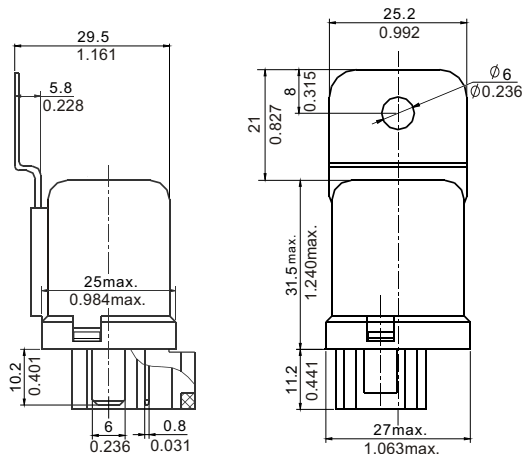
CAUTION: 1.The use of any coil voltage less than the rated coil voltage will compromise the operation of the relay.
 2.Pickup and release voltage are for test purposes only and are not to be used as design criteria.

Operation condition

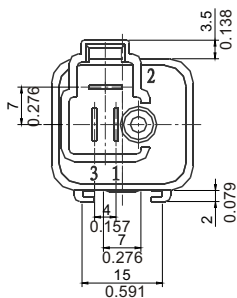
Insulation Resistance	100M Ω min (at 500VDC)	Item 7 of IEC 60255-5
Dielectric Strength Between contacts Between contact and coil	50Hz 500V 50Hz 500V	Item 6 of IEC 60255-5 Item 6 of IEC 60255-5
Shock Resistance	100m/s ² 11ms	IEC68-2-27 test Ea
Vibration Resistance	10Hz~55Hz double amplitude 1.5mm	IEC68-2-6 test Fc
Terminals strength	10N	IEC68-2-21 test Ua1
Ambient Temperature	-40 $^{\circ}$ C~125 $^{\circ}$ C	
Relative Humidity	95% (45 $^{\circ}$ C)	IEC68-2-3 test Ca
Mass	35g	

Dimensions

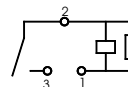
mm /inch



Dimensions



Mounting (Bottom view)



Wiring diagram (Bottom view)

NOTES 1).Dimensions are in millimeters.
2).Inch equivalents are given for general information only.