

Product Specification

Number: L-KLS4-CA9-M-V10-254-A-2020
Name: CA9 MM Trimmer Potentiometers
Specification: _____
Customer: E32
Date: 2021-09-01

Customer Signature:

--



NINGBO KLS ELECTRONIC CO; LTD

Tel : 0086-574-86828566

Fax : 0086-574-86824882

ADD : NO. 8-1, RONGXIA RD. XIAPU SHANQIAN
INDUSTRIAL ZONE BEILUN NINGBO ZHEJIANG.

Compile	Check	Review	Approval
Jenny	Jack.C		

CA9 微调合成碳膜电位器

(CA9 MM TRIMMER POTENTIOMETERS)

一般事项

General

□此规格适用于电子设备之可变电阻器.

-This specification is applied to potentiometers used for electronic equipment.

□使用温度范围: $-25^{\circ}\text{C} \sim +70^{\circ}\text{C}$

-Operating temperature: $-25^{\circ}\text{C} \sim +70^{\circ}\text{C}$

特点

Features

□长寿命, 低成本

-Carbon resistive element.

-Dust proof enclosure.

□优良的防尘结构, 没有任何开口部分

-Polyester substrate.

□阻值线性多样化

-Also upon request:

◇Wiper positioned at 50% or fully clockwise.

◇Supplied in magazines for automatic insertion.

□力矩小

◇Long life model for low cost control pot applications

◇self extinguishable plastic UL 94V-0

□旋转 50%处有定位或整个旋转行程带定位

◇cut track option

◇special tapers

□品种规格多, 适用性强

◇mechanical detents

◇low & extra low torque versions

◇special switch option

性能说明 CHARACTERISTICS

电气性能 ELECTRICAL SPECIFICATIONS

阻值范围 Range of valuse

$100\ \Omega \leq R_n \leq 5M\ \Omega$

阻值误差 Tolerance

$100\ \Omega \leq R_n \leq 1M\ \Omega \dots\dots\dots \pm 20\%$

$1M\ \Omega < R_n \leq 5M\ \Omega \dots\dots\dots \pm 30\%$

最大电压 Max. voltage

200V DC (lin), 100V DC (no lin)

额定功率 Rated power

0.15W (lin), 0.07W (no lin)

线性 Taper

Lin(A), Log(B), Alog(C)

残留电阻 Residual resistance

$\leq 5\% R_n (3\ \Omega \text{ min})$

平滑性 Equivalent noise resistance

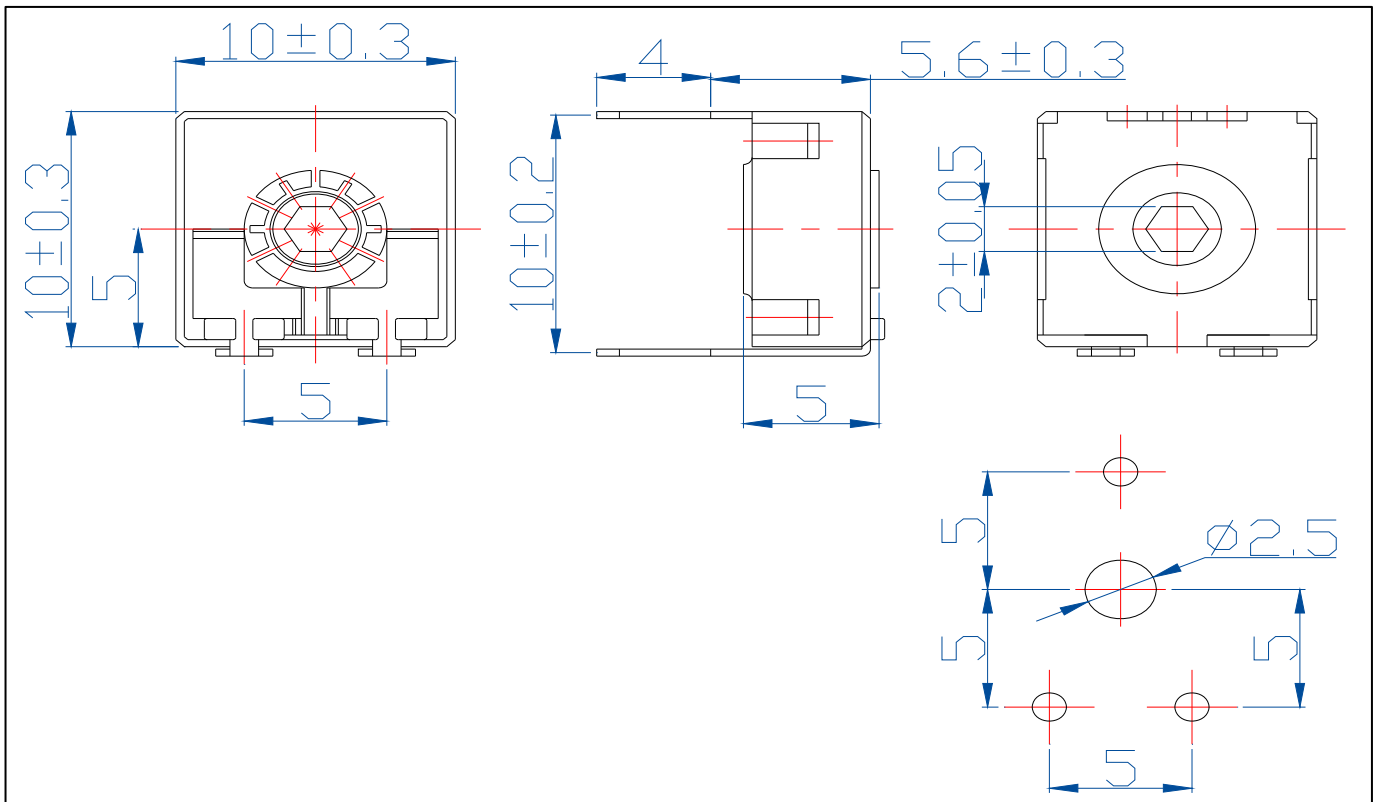
$\leq 3\% R_n (3\ \Omega \text{ min})$

机械性能 MECHANICAL SPECIFICATIONS

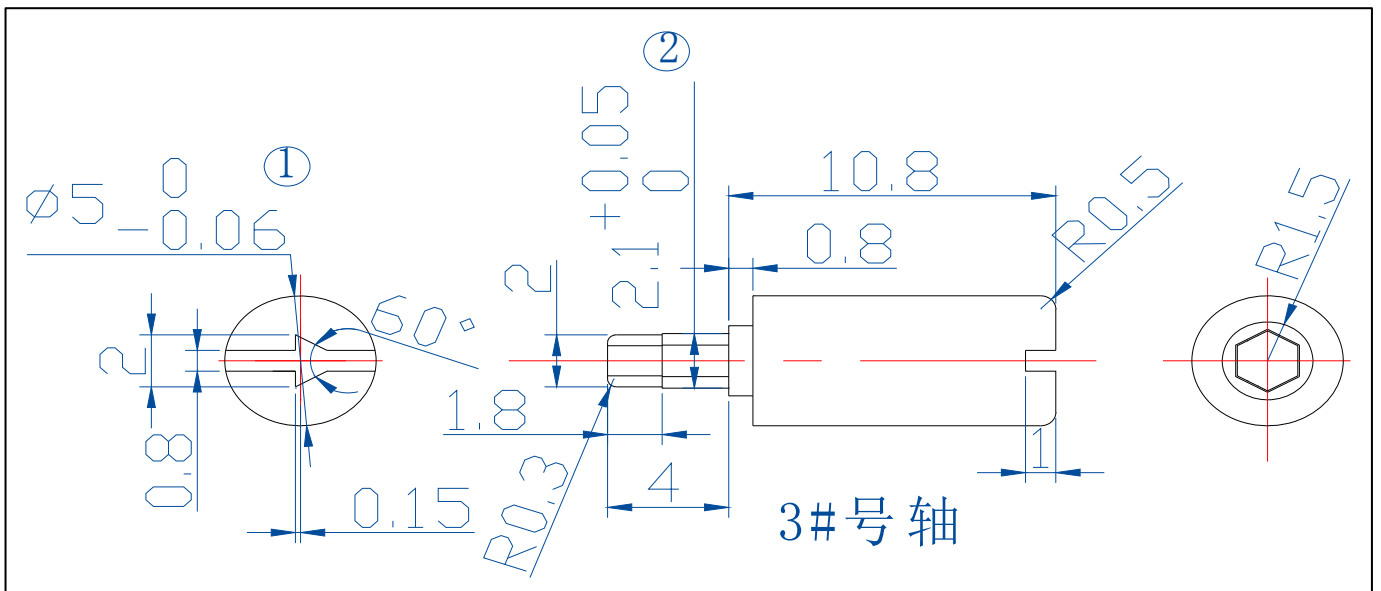
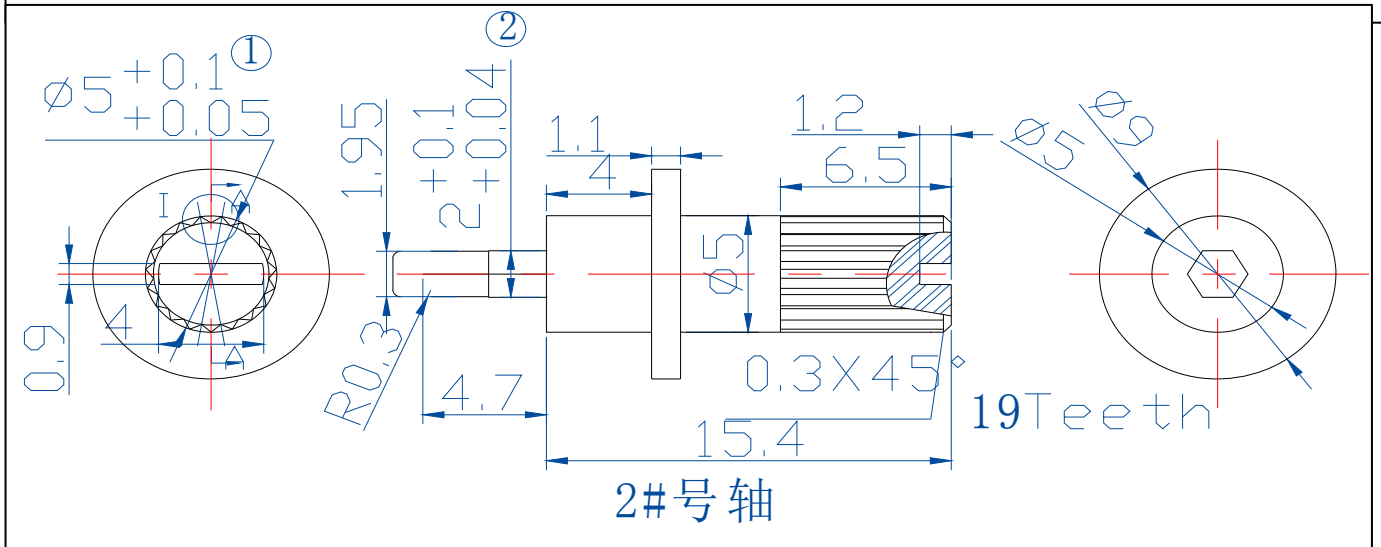
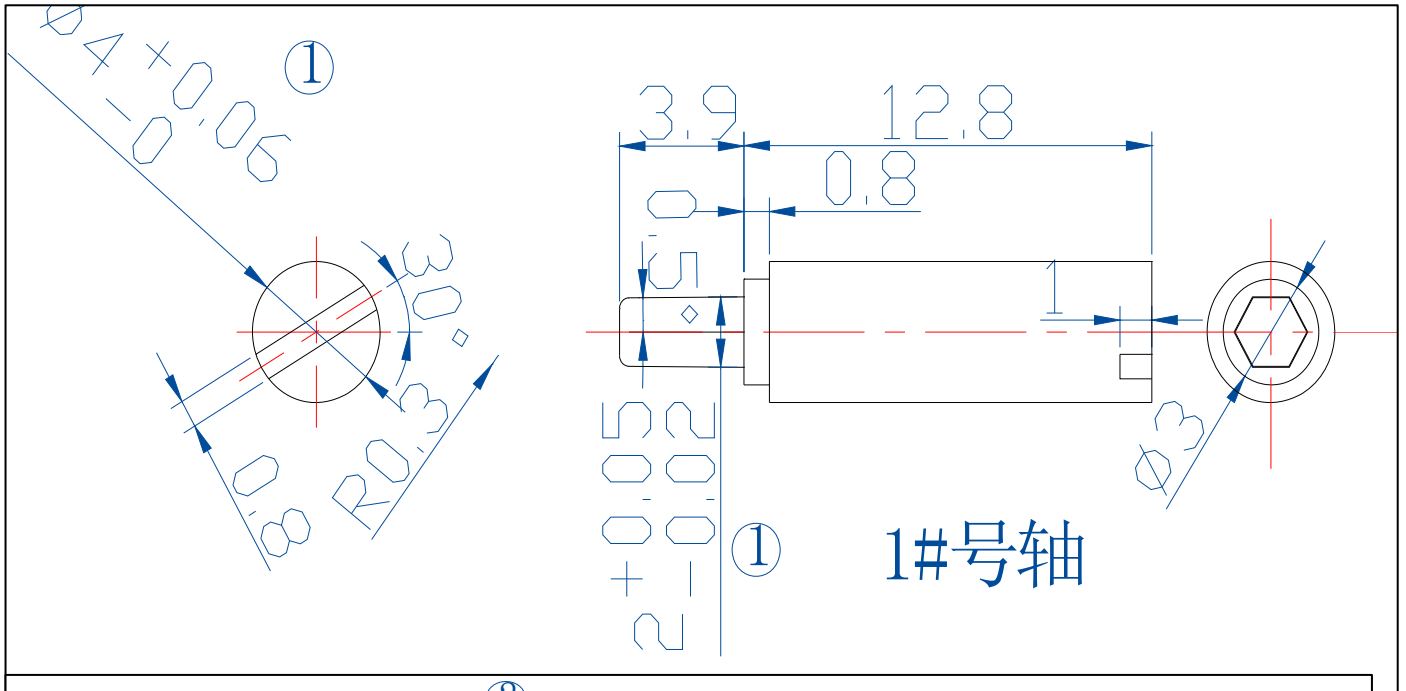
机械旋转角度 Mechanical rotation angle	235° ±5°
电气旋转角度 Electrical rotation angle	220° ±20°
旋转力矩 Torque	0.4~2Ncm
止档力矩 Stop torque	>5Ncm
转子最大拉拔力 Max. push/pull on rotor	40N
耐久性 endurance	Long life 10,000cycles
焊接 Soldering	温度 T≤265°C, 时间 t≤5s

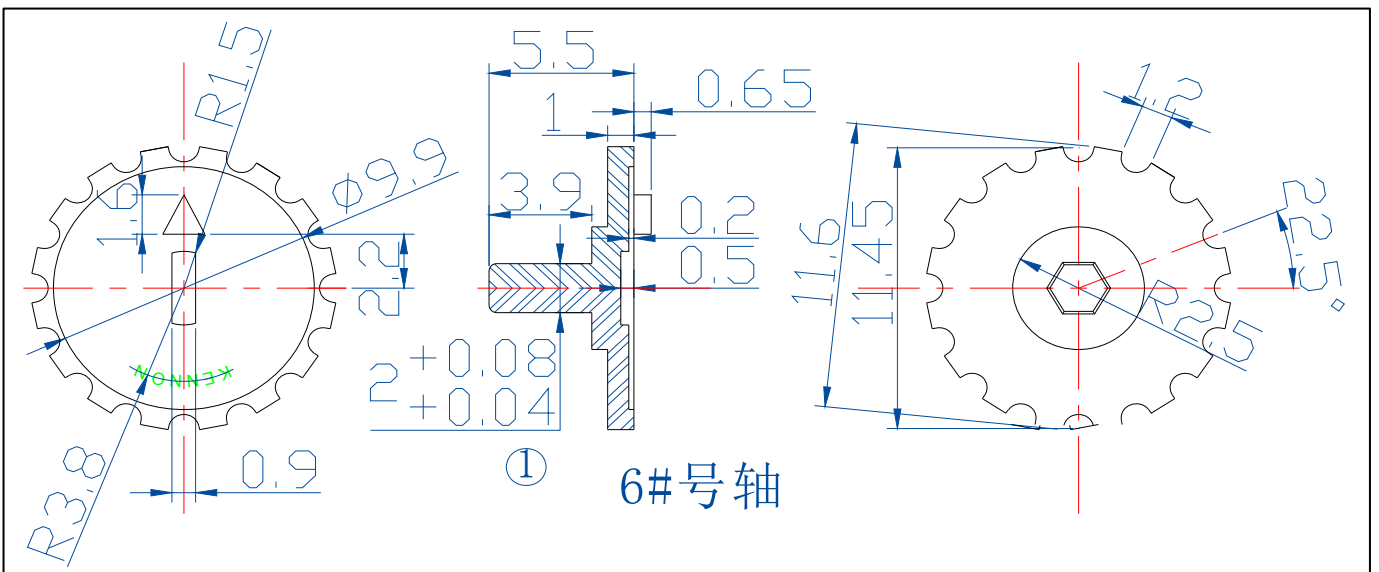
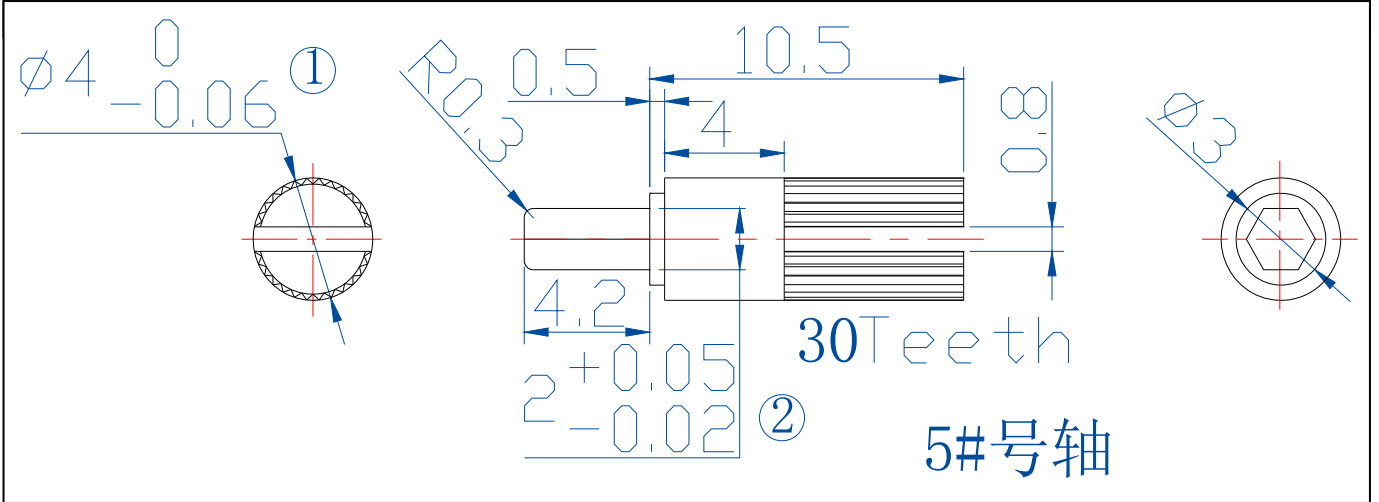
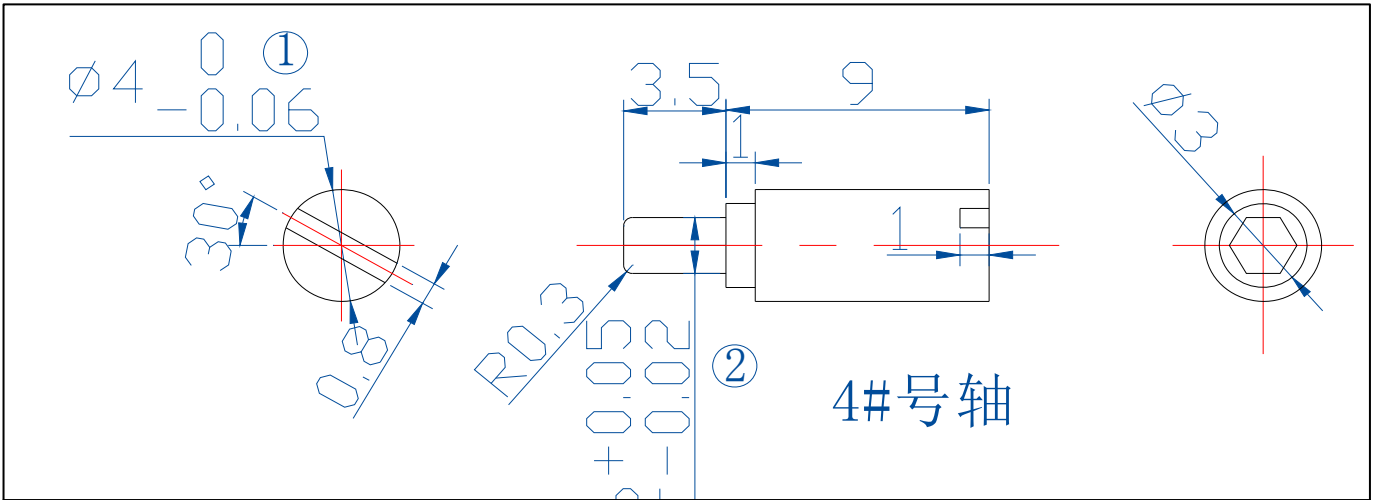
外形图及安装尺寸 DRAWING AND MOUNTING

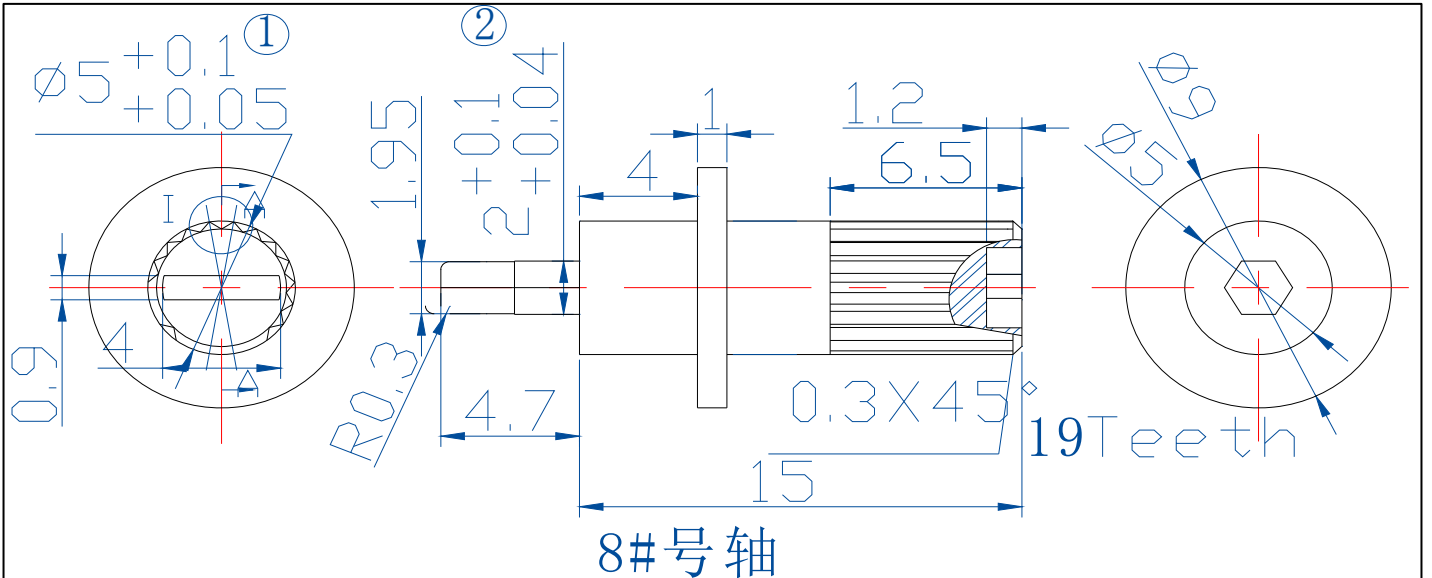
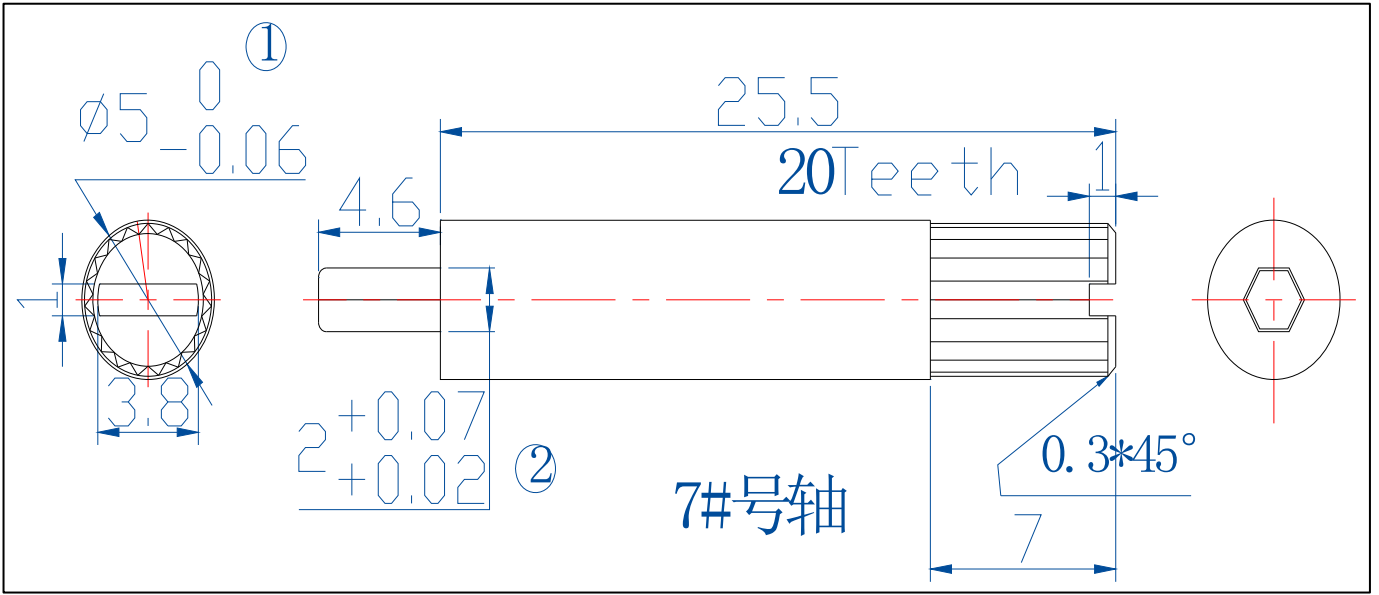
V=Horizontal mount/Vertical adjust 卧式—垂直调节



SHAFT(现有轴种类)







Circuit 电路图

