

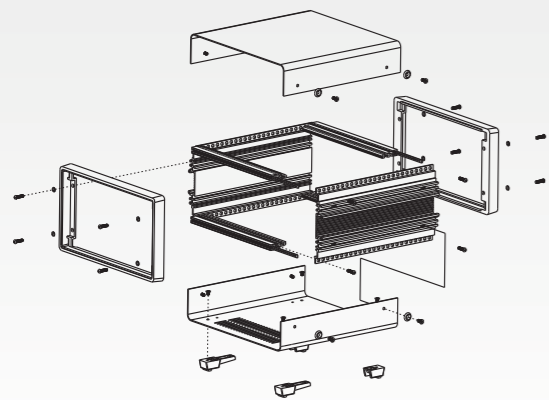
型号CODE:17-84



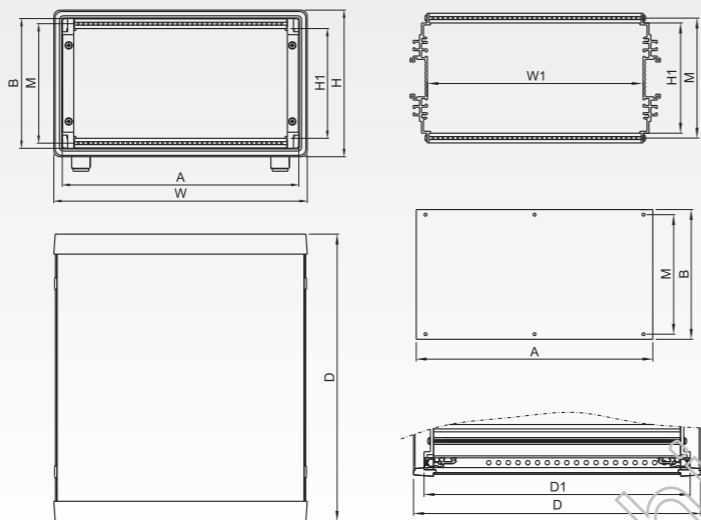
本机箱为铝型材机箱，主要由铝压铸面框、铝型材侧板和冷轧钢板成型盖板组成：面框和盖板表面处理可选择喷塑或喷漆，型材表面处理可选择喷塑、喷漆或氧化。

This cabinet is Al. extrusion cabinet. This aluminum enclosure mainly consists of aluminum bezel, side panel, aluminum beam, and top & bottom panels. Surface finishing for bezel and panel: powder coating or painting. Surface finishing for aluminum extrusion: powder coating or painting or anodizing.

爆炸图(Exploded view)



尺寸图(Dimension)

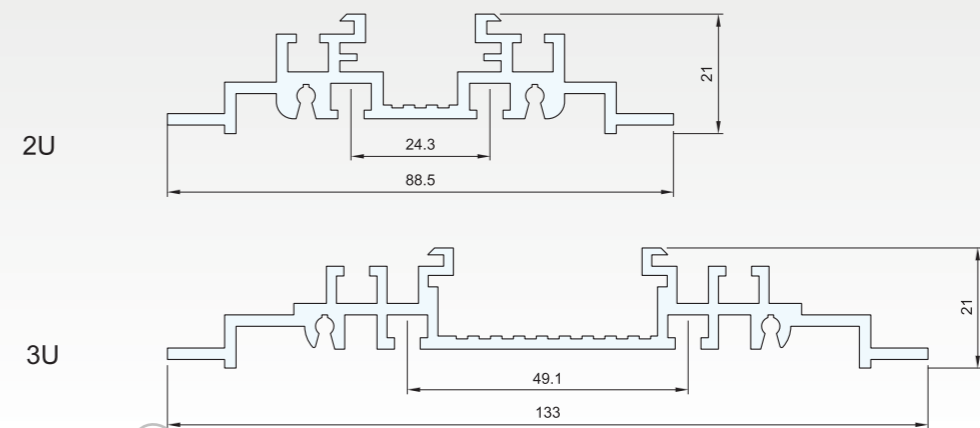


D1:机箱净深 D:机箱深度 D1=D-22
D1:Net depth of the cabinet. D:Depth of the cabinet. D1=D-22

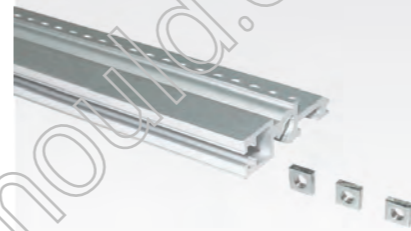
型号 CODE	HE	TE	H	H1	W	W1	A	B	M		
17-84	17-84A	17-84B	2U	42	103	68.5	260	221.2	241.7	84.2	78.5
17-89	17-89A	17-89B	2U	63	103	68.5	368	328.7	349.2	84.2	78.5
17-90	17-90A	17-90B	3U	42	151	113	260	221.2	241.7	132.2	123
17-91	17-91A	17-91B	3U	63	151	113	368	328.7	349.2	132.2	123

高度(HE):2U、3U; 宽度(TE):42孔、63孔;
常规深度(D):180mm、240mm、300mm、
360mm。如客户有特殊需求,深度(D)和
颜色可定制。

Height(HE):2U、3U; width(TE):42 holes、
63 holes; standard depth(D):180mm、
240mm、300mm、360mm. Depth(D) and
color can be customized as per your request.



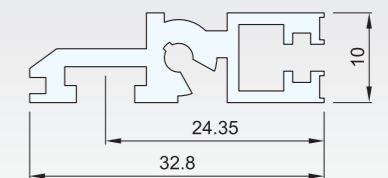
螺母块(Slide nut)



螺母条(Tapped strip)



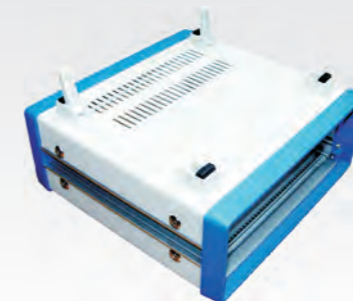
横梁(Beam)



PCB导轨(PCB DIN-rail)



底部散热孔(Ventilation slots)



面板可开孔(The holes can be added in the panels)

