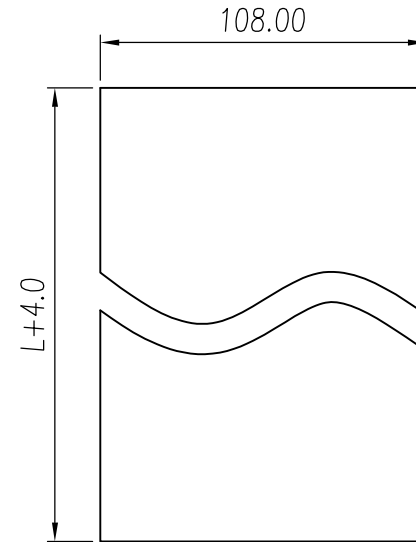
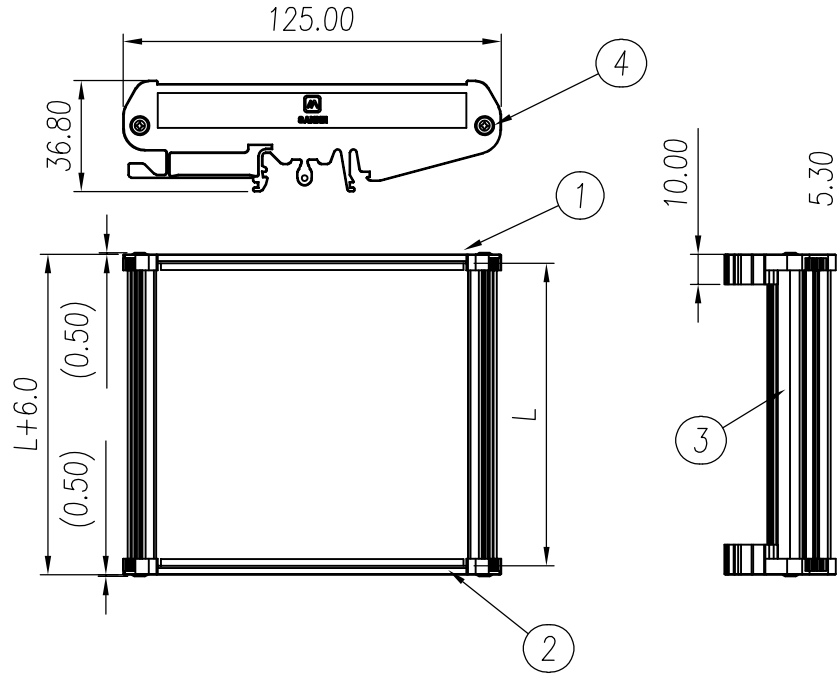


variable range	linear dimension (Tolerances Standard GB/T 14486-2008)										fillet	chamfer	∠ short angle sid				≡	—	□	//	⊥		
	to 6	over 6 to 10	over 10 to 18	over 18 to 30	over 30 to 50	over 50 to 80	over 80 to 120	over 120 to 160	over 160 to 200	over 200 to 250	all	to 6	over 6 to 10	to 10	over 10 to 50	over 50 to 120	over 120 to 200	all	to 5	over 5 to 30	over 30 to 120	over 120 to 200	
tolerance	±0.1	±0.14	±0.19	±0.25	±0.32	±0.43	±0.57	±0.72	±0.88	±1.05	±1.25	±0.2	±0.5	±1	1'	30'	20'	10'	0.5	0.025	0.06	0.12	0.4



PCB LAYOUT

温度范围 -20°C~+50°C  
 额定扭距 0.3N.m  
 材质及电镀  
 卡脚 PA66  
 型材 PVC  
 螺丝 碳钢 镀锌  
 备注: L=型材长度(30mm-1000mm)  
 PCB厚度: 1.5mm-1.8mm

4	PT3*12圆头自攻螺丝	PT3*12	2	碳钢	镀锌
3	SH833-108-3型材	SH833-108-3	备注	PVC	阻燃
2	SH833-108-2右侧板	SH833-108-2	1	PA66	阻燃
1	SH833-108-1左侧板	SH833-108-1	1	PA66	阻燃
NO.	NAME OF PART	NO. OF PART	Q'TY	MATERIAL	NOTES

制图	审核	批准	客户名称	材料
Drawing	Auditing	Confirm	Custom Name	Material
赵秀来			SH833-108	图纸比例 1:1 A4
2021/01/15			SH833-108	视图 (mm)
共 1 页			第 1 页	
			宁波新三和连接电气有限公司 NINGBO NEW SANHE ELECTRIC CONTACT CO., LTD.	
			中国宁波慈溪 TEL: +86(574)63226910 FAX: +86(574)63226900	

1.0	新开发	赵秀来	2021/01/15
版本	修改项	姓名	日期
修改记录			