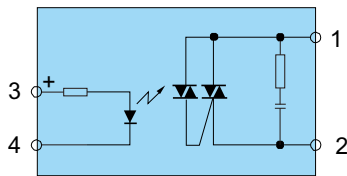




Mid-power SSR

Single-phase Mid-power SSR-2F



Product

- 4.5mm Slim, thickness: 4.5mm
- Load current: 1A and 2A
- Dielectric strength: 3000VAC
- Load voltage: 220VAC
- Trigger mode: Zero-cross and Non zero-cross

Ordering Reference

Input voltage

05D: 5VDC 12D: 12VDC 24D: 24VDC

Load voltage

2: 75 ~ 280VAC

Load current

01: 1A 02: 2A

Trigger mode

P: Non zero-cross

Z: Zero-cross

YS-2F/□□□□

Application

- Household appliances, such as air conditioner, humidifier
- Medical treatment and medical devices
- CNC machine, robot machine, etc.

Model/Package

Model / Specification		ON-state RMS current	Off-state peak voltage	Package quantity
Non zero-cross	Zero-cross			
05D-201P	05D-201Z	1A	600V	20 PCS/tube 120 tubes/carton
12D-201P	12D-201Z			
24D-201P	24D-201Z			
05D-202P	05D-202Z	2A		
12D-202P	12D-202Z			
24D-202P	24D-202Z			

Technical parameters

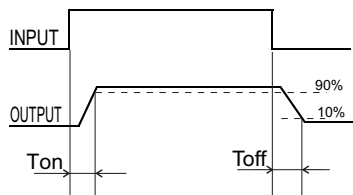
■ Max rated parameters (Environment temperature : 25°C)

Item		Symbol	05D-201	12D-201	24D-201	05D-202	12D-202	24D-202	Unit
Input	Work voltage		4 ~ 6	9.6 ~ 14.4	19.2 ~ 28.8	4 ~ 6	9.6 ~ 14.4	19.2 ~ 28.8	V
	Turn-on voltage	V_{TON}	4	9.6	19.2	4	9.6	19.2	V
	Turn-off voltage	V_{TOFF}	1	1	1	1	1	1	V
Output	On-state RMB current	$I_{T(RMS)}$	1	1	1	2	2	2	A
	Surge current(10ms)	I_{TSM}	8	8	8	30	30	30	A
	Repetitive peak off-state voltage	V_{DRM}	600						V_{PK}
Dielectric voltage	Input-output	V_{iso}	3000						VAC
Temperature	Work temperature	T_{opr}	-30 ~ 80						°C
	Storage temperature	T_{stg}	-40 ~ 100						°C

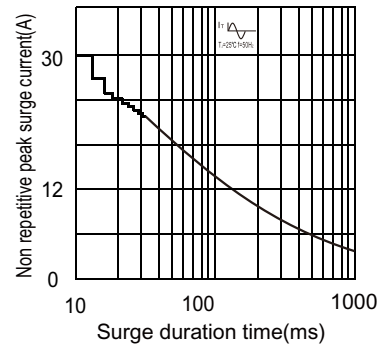
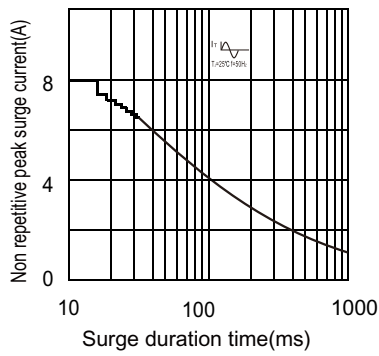
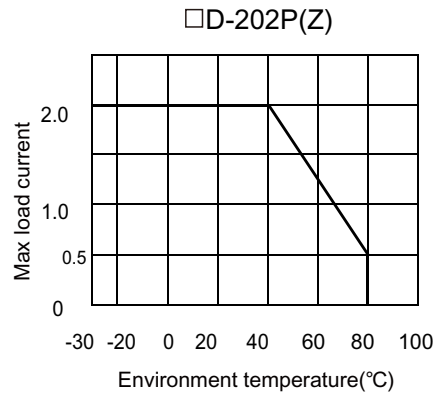
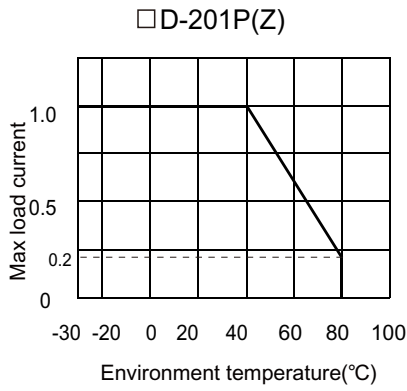
■ Electric parameters (Environment temperature 25°C)

Item		Symbol	Test condition	Min	Typical	Max	Unit
	Max input current	I_{max}	$V_{in} = Max$			25	mA
Input	Input resistance	R_{in}	05D		300		Ω
			12D		820		Ω
			24D		1.6		K Ω
Output	On-state voltage drop	V_T	Rated load voltage 220VAC		1.2	1.6	V
	Output leakage current	I_{leak}	Load voltage 220VAC			1.5	mA
Transmission	Turn-on time	T_{on}	Zero-cross			10	mS
			Non zero-cross			1	mS
	Turn-off time	T_{off}				10	mS
	Insulation resistance	R_{iso}	500VDC(input-output)			1000	M Ω

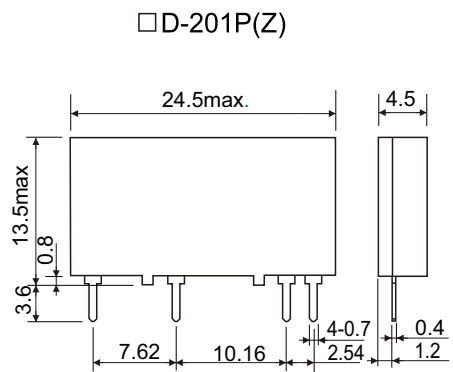
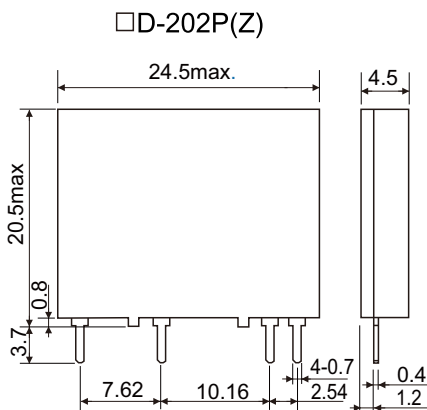
■ Switch Time Waveform:



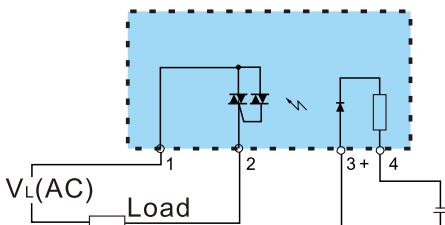
Characteristic curve



Outline dimensions (mm)



Connection diagram



PCB dimensions(mm)

