

PHASE	A1	A3	B1	B3
STEP 1	-	+	+	-
STEP 2	-	+	-	+
STEP 3	+	-	-	+
STEP 4	+	-	+	-

SWITCHING SEQUENCE

(VIEWED FROM MOUNTING SURFACE)

MARKING

NMB PM20L-020-YGJ1
LOT NO. H1406
MINEBEA ELECTRONICS CO., LTD. MADE IN JAPAN

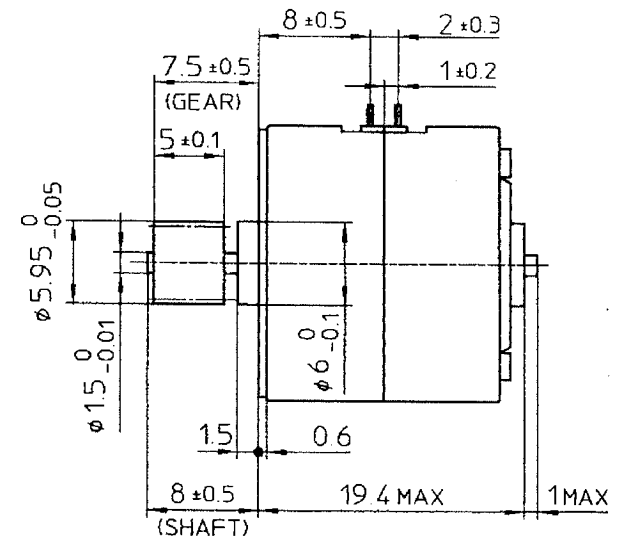
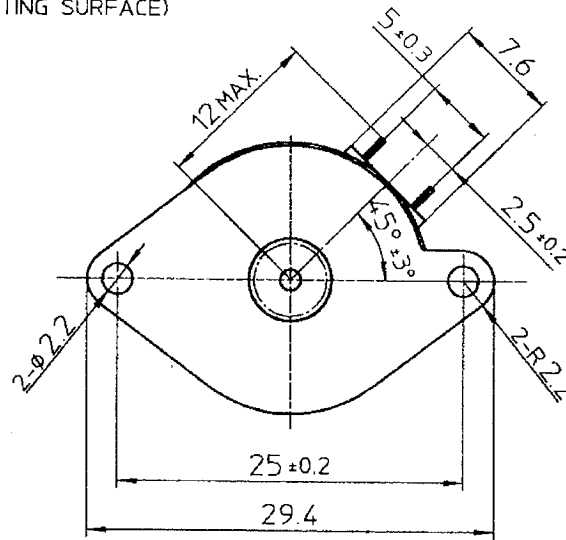
<JAPAN>

NMB PM20L-020-YGJ1
LOT NO. TA1406
MINEBEA ELECTRONICS CO., LTD. MADE IN THAILAND

<THAILAND>

GEAR PROFILE	INVOLUTE
MODULE	0.35
PRESSURE ANGLE	20°
NO. OF TEETH	15
PITCH DIA	φ5.25
OUTSIDE DIA	φ5.95 ⁰ _{-0.05}
ACCURACY	JGMA 6
MATERIAL	A2000 or EQUIVALENT

PINION SPEC.



				ミネベア株式会社 MINEBEA CO., LTD.			単位 UNIT mm 尺度 SCALE 2 : 1	材質 MATERIAL 表面粗サ SURF.ROUGH. 熱処理 HEAT TREAT. 表面処理 FINISH	作成日 DATE APR./06/'01 品名 DESCRIPTION MECHANICAL CONSTRUCTION 品番 PART NO (MODEL NO.) PM20L-020-YGJ1 品番 DRAWING NO U06PA-1A424888
				APPROVED	CHECKED	DRAWN	公差 TOL L ≤ 4 ±0.1 4 < L ≤ 16 ±0.2 16 < L ≤ 63 ±0.3 63 < L ≤ 250 ±0.5 250 < L ≤ 1000 ±0.8 角度 DEG ±0.5	SHEET 改定 REV.	
符号 MARK	日付 DATE	変更理由 REASON	ECN NO.	担当 ENGINEER T.YAMAWAKI	承認 APPROVED H.SANO	描画 DRAWN K.NAKAMURA			