

Тумблеры

Features

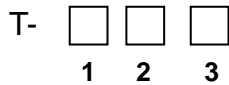
- Power Switch conforms to safety standards for electrical equipment.
- Compact with a good space factor.



Specifications

| Item | Standard |
|------------------------|-----------------------------------|
| Rating | 10A 1250VAC / 15A 250VAC , UL1054 |
| Conduit Resistance | 25mΩ max. (Initial) |
| Dielectric Reseistance | AC 1000V (50/60 Hz for 1 minute) |
| Insulation Resistance | 100MΩ min (at 500 VDC) |
| Electrically Life | 30,000 Cycle min |
| Mechanically Life | 100,000 Cycle min |

Product Selection



1. CONTACT TYPES

| | |
|------------------|------|
| 11: 2P ON-OFF | SPST |
| 12: 3P ON-ON | SPDT |
| 13: 3P ON-OFF-ON | SPDT |
| 21: 4P ON-OFF | DPST |
| 22: 6P ON-ON | DPST |
| 23: 6P ON-OFF-ON | DPDT |

2. TERMINAL TYPES

| |
|-----------------------|
| A: SOLDER |
| B: SCREW |
| C: #250 QUICK CONNECT |

3. RARING TYPES

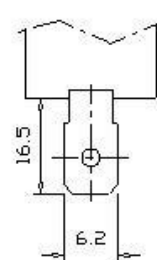
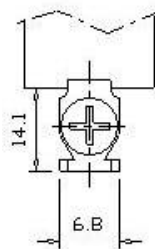
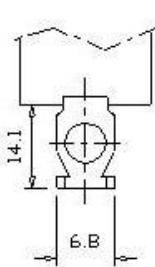
| |
|----------------|
| _ : 10A 250VAC |
| S : 15A 250VAC |

Treminal Dimension

A: SOLDER TYPE

B: SCREW TYPE




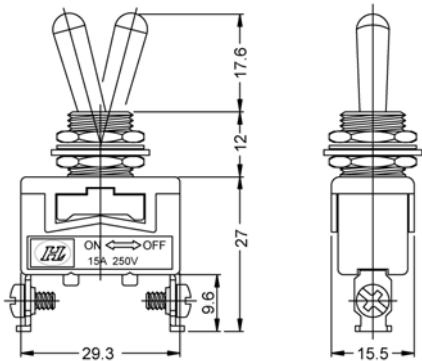



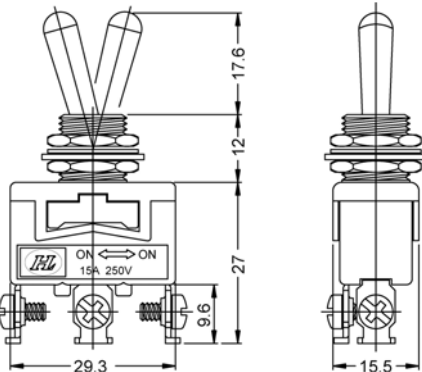



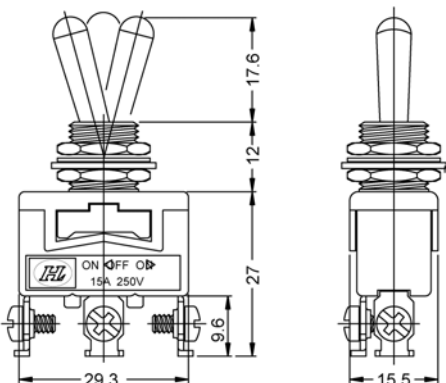

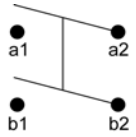

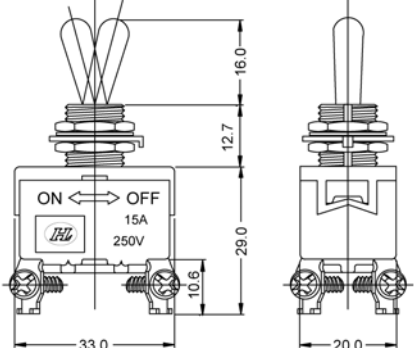
C: #250 QUICK CONNECT TYPE



Тумблеры

Dimensions

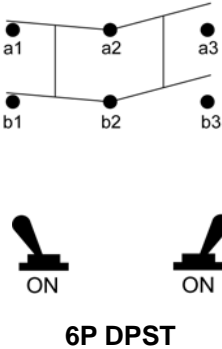
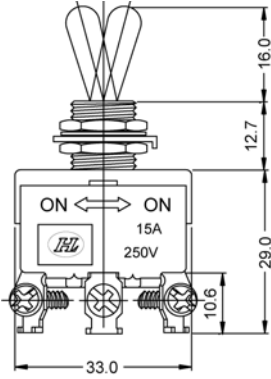
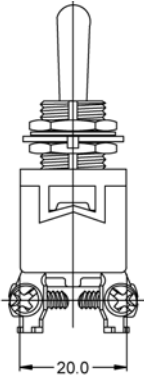
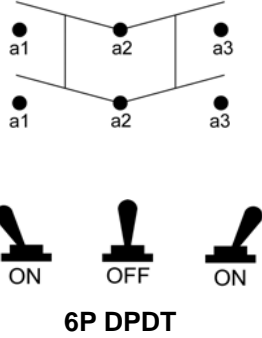
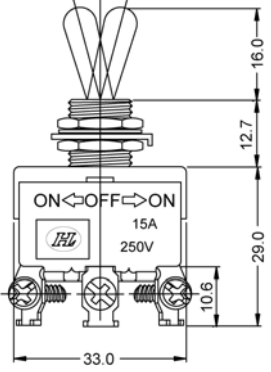
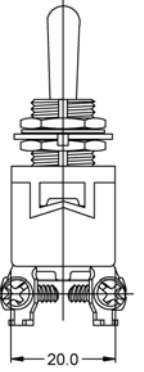

Unit: mm

| Item No. | Function | Dimensions |
|----------|---|--|
| T-11 |    2P SPST |  |
| T-12 |    3P SPDT |  |
| T-13 |    3P SPDT |  |
| T-21 |    4P DPST |  |

Тумблеры

OPERATING CHARACTERISTICS

Unit: mm

| Item No. | Function | Dimensions | |
|----------|---|---|--|
| T-22 |  <p>6P DPST</p> |  |  |
| T-23 |  <p>6P DPDT</p> |  |  |
| TR-1 |  | | |