

Rocker Switch Series

KLS7-007 Rocker Switch Series

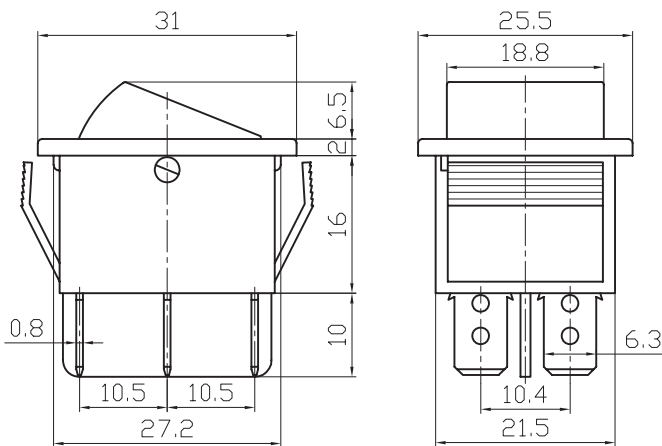
MATERIAL

1. Housing: Nylon 66
2. Rocker: PC & PA66
3. Contacts: Silver Alloy
4. Terminal: Brass Silver Plated
5. Lamp: Neon Lamp, Tungsten Lamp
6. Spring: SWP, SUS
7. Movable Arm: Brass Silver Plated

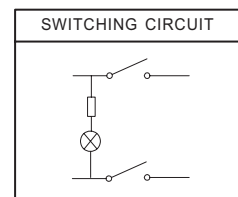
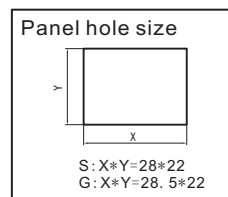
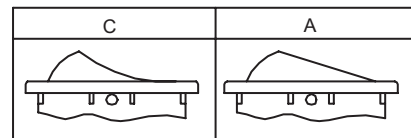


ELECTRICAL

1. Electrical Rating: 16(4)A 250VAC T85
16(4)A 250VAC T125/55 1E4
16A 125V/8A 250AC
(H)Rating: 16(8)A 250VAC T85/55 1E4
2. Mechanical life: Over 30000 Cycles
3. Electrical life: Over 10000 Cycles
4. Contact Resistance: <20mΩ
5. Insulation Resistance: >1000MΩ
6. High Voltage Resistance: >1500V 1 min
7. Ambient Temperature: Terminal Side -20°C~+85°C; Actuating Side -20°C~+55°C
8. Storage Temperature: -30°C~+80°C Max
9. Atmospheric Humidity: Max 85%
10. Actuating force: 4~8N (depends on different switch function)
11. Flammability: UL94 V-2
12. Temperature rise at the terminal: Max 30°C (UI1054)
13. Solder ability of terminal: Max 350°C 3S



Cap Type



ORDER INFORMATION

KLS7-007-21/N-C-2 RE/BK -P1 -S(2)

Function	Cap Type	Cap Printing	Color Cap/Housing	Terminal	Panel hoe size	Votoge
21/N:ON-OFF 4P w/lamp 21:ON-OFF 4P 22:ON-ON 6P 23:ON-OFF-ON 6P 11:ON-OFF 2P 12:ON-ON 3P	A:Flast C:Soft Line P:W/PVC-Cap	0: None 1: 2: 3: 4: 5: 6: 7: 8:	BK:Black WT:White RE:Red OR:Orange GR:Green BL:Blue GE:Grey		S:28*22 G:28.5*22	1:110VAC 2:220VAC 3:12VDC 4:24VDC