

# Switch

## Rocker Switch Series

### KLS7-016 Rocker Switch Series

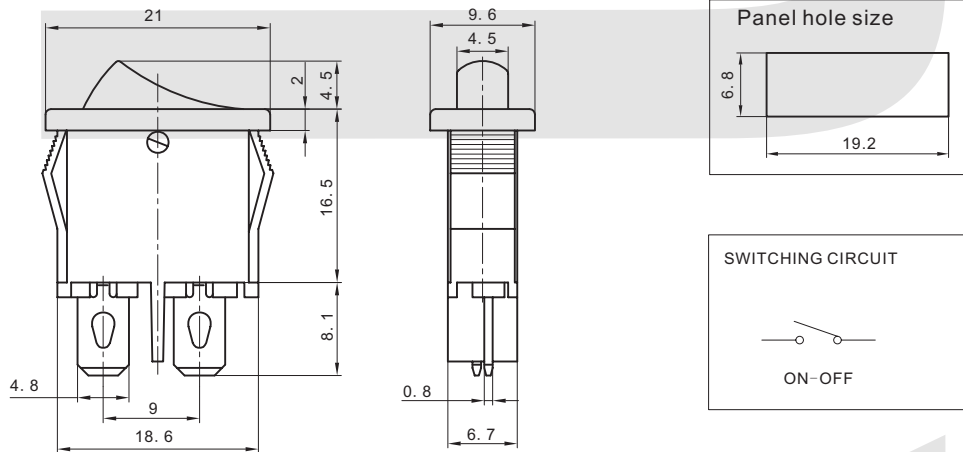
#### MATERIAL

1. Housing: Nylon 66
2. Rocker: PC & PA66
3. Contacts: Silver Alloy
4. Terminal: Brass Silver Plated
5. Lamp: Neon Lamp, Tungsten Lamp
6. Spring: SWP,SUS
7. Movable Arm: Brass Silver Plated



#### ELECTRICAL

1. Electrical Rating:(G): 6(2)A 250VAC T125/55 1E4  
10A 125VAC  
(H):10(4)A 250VAC T125/55 1E4  
10(2)A 250VAC T85/55 5E4  
16A 125V/10A 250VAC 1/3HP 125-250VA
2. Mechanical life: Over 30000 Cycles
3. Electrical life: Over 10000 Cycles
4. Contact Resistance: <20mΩ
5. Insulation Resistance: >1000MΩ
6. High Voltage Resistance: >1500V 1 min
7. Ambient Temperature: Terminal Side -20°C~+85°C; Actuating Side -20°C~+55°C
8. Storage Temperature: -30°C~+80°C Max
9. Atmospheric Humidity: Max 85%
10. Actuating force: 4~8N(depends on different switch function)
11. Flammability: UL94 V-2
12. Temperature rise at the terminal: Max 30°C (UI1054)
13. Solder ability of terminal: Max 350°C 3S



## ORDER INFORMATION

KLS7-016-11-G-2 BK/BK -P8

Series No.

Function	Rating	Cap Printing	Color Cap/Housing	Terminal
11:ON-OFF 2P	G:10A 250VAC 6A 250VAC H:16A 125VAC 10A 250VAC	0: None 1: <input type="checkbox"/> 2: <input type="checkbox"/> 3: <input type="checkbox"/>	BK:Black WT:White RE:Red GE:Grey	