

Switch

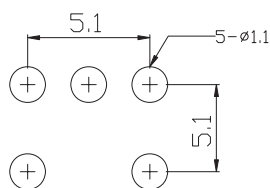
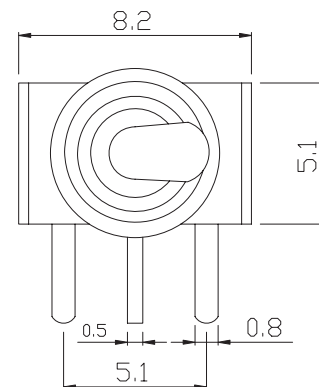
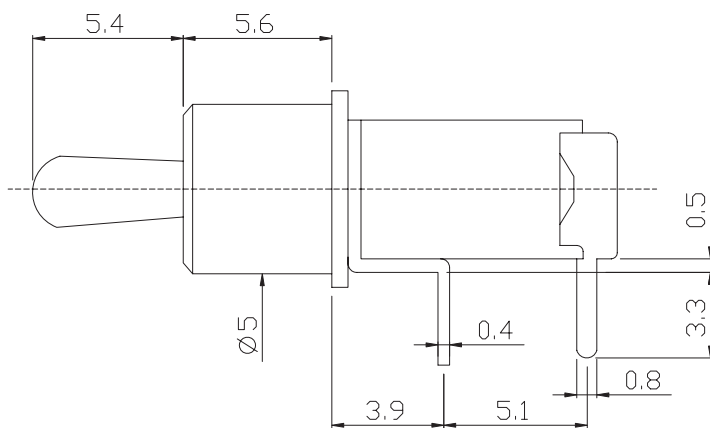
Toggle Switch Series

KLS7-SMS-102-C3 Toggle Switch Series

SPECIFICATIONS

Rating: 3A 125VAC; 1A 250VAC
 Contact Resistance: 20MΩ max
 Insulation Resistance:500V DC 1000MΩ Min
 Dielectric Strength:1000V AC 1 Minute
 Operating Temperature:-25°C~+65°C
 Electrical Life :20,000 cycles

VII



PCB LAYOUT

ORDER INFORMATION

