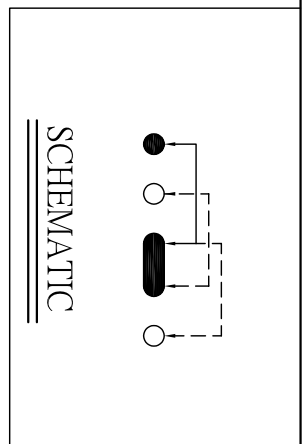


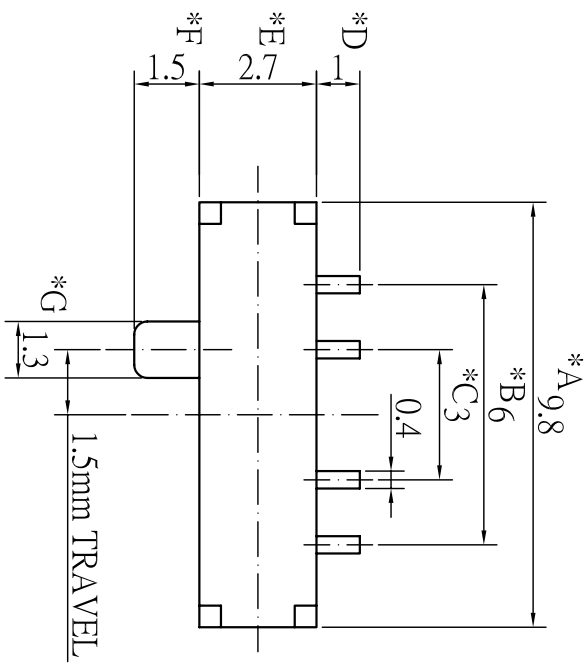
1 2 3 4

A



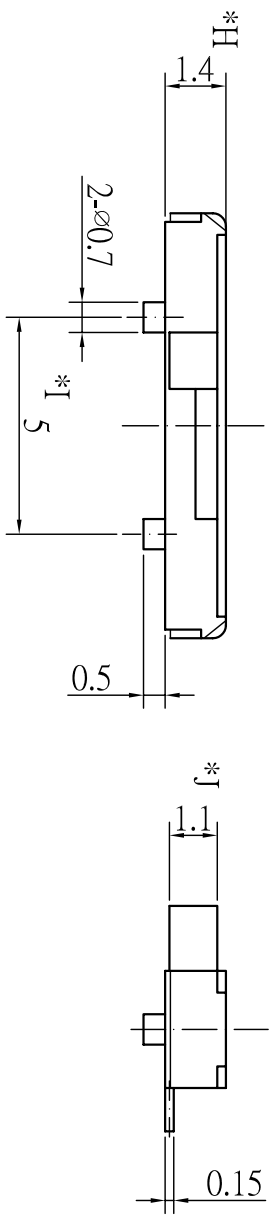
A

B

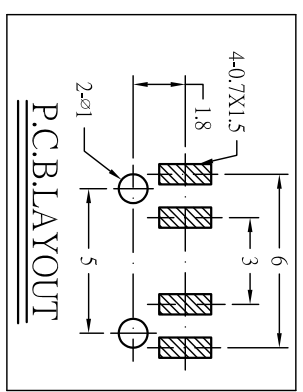


B

C



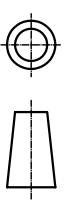
C



\* CRITICAL DIMENSION

D

CHI FUNG ELECTRONICS CO.,LTD.



SERIES : MINI SLIDE SWITCH	DRAWING NO. : CF-ENJ-MSH4012
PART NAME: MSH-13N03-12	GENERAL TOLERANCE
UNIT : MM	DWN.
SCALE : 6:1	CHK'D
REV : A/0	APPD.

7			
6	SPRING PLATE	SUS	NATURAL
5	CONTACT	C5210R-EH	Ag CLAD
4	TERMINAL	PBS	Ag COATING
3	CASE	PA46	BLACK
2	COVER	SUS	NATURAL
1	STEM	PA46	BLACK
NO.	PART NAME	MATERIAL	QTY FINISHING

D

1 2 3 4