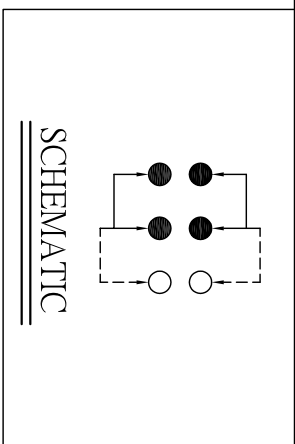


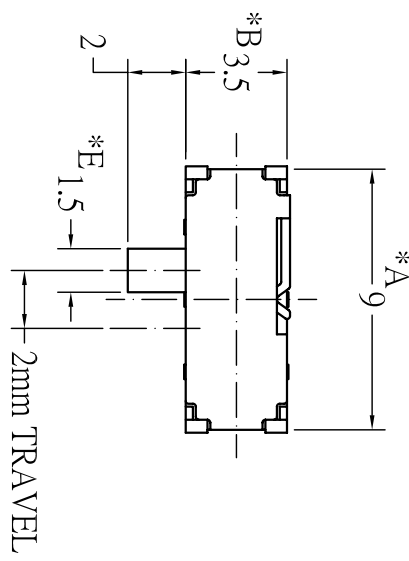
1 2 3 4

A



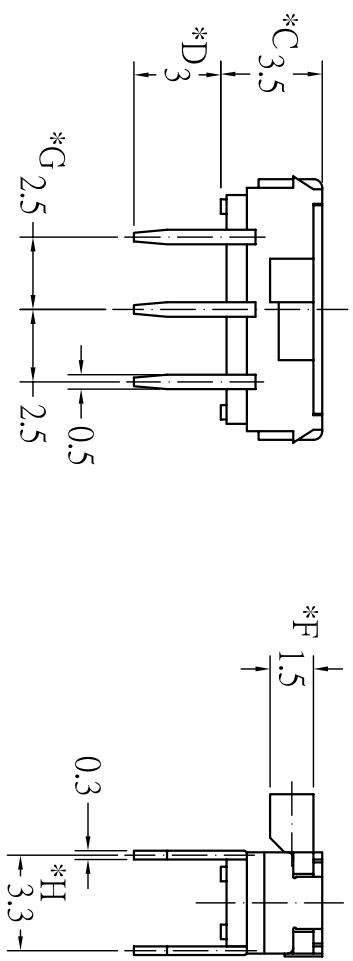
A

B

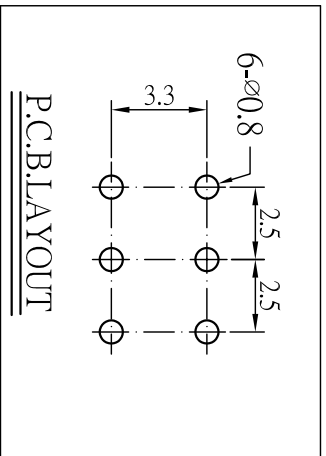


B

C



C



\* CRITICAL DIMENSION

D

**CHI FUNG ELECTRONICS CO.,LTD.**



SERIES : MINI SLIDE SWITCH  
DRAWING NO. : CF-ENL.-MSH4016

PART NAME: MSH-22N02  
GENERAL TOLERANCE

UNIT : MM  
WITHIN 0.XXmm±.15mm

SCALE : 4:1  
OVER 0.Xmm±0.25mm

REV : A/0  
APPD.

7				
6				
5	CONTACT	C5210R-EH	2	Ag CLAD
4	TERMINAL	BRASS	6	Ag COATING
3	CASE	PA46	1	BLACK
2	COVER	SUS	1	NATURAL
1	STEM	PA66	1	BLACK OR WHITE
NO.	PART NAME	MATERIAL	QTY	FINISHING

D

1 2 3 4