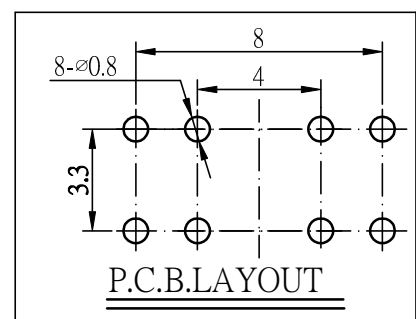
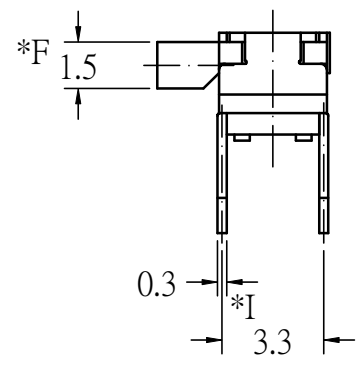
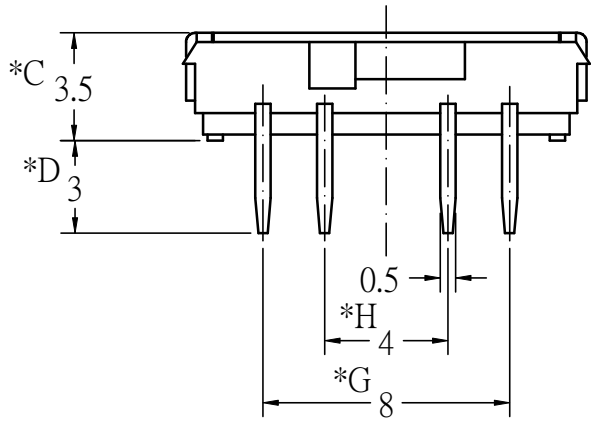


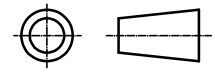
SCHEMATIC



P.C.B.LAYOUT

* CRITICAL DIMENSION

CHI FUNG ELECTRONICS CO.,LTD.



SERIES : MINI SLIDE SWITCH			DRAWING NO.: CF-ENL- MSH4018	
PART NAME: MSH-23N02			GENERAL TOLERANCE	
UNIT : MM	DWN.		WITHIN 0.XXmm ? .15mm	
SCALE : 4:1	CHK'D		OVER 0.Xmm ? .25mm	
REV : A/0	APPD.			
NO.	PART NAME	MATERIAL	QTY	FINISHING
7				
6				
5	CONTACT	C5210R-EH	2	Ag CLAD
4	TERMINAL	BRASS	8	Ag COATING
3	CASE	PA46	1	BLACK
2	COVER	SUS	1	NATURAL
1	STEM	PA46	1	BLACK or WHITE

1

2

3

4