

1

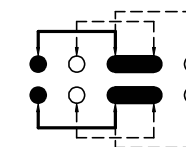
2

3

4

A

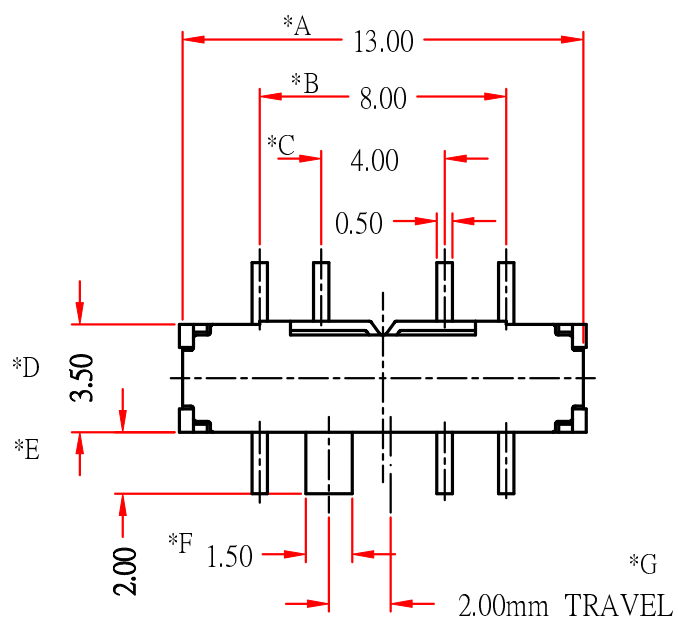
A



SCHEMATIC

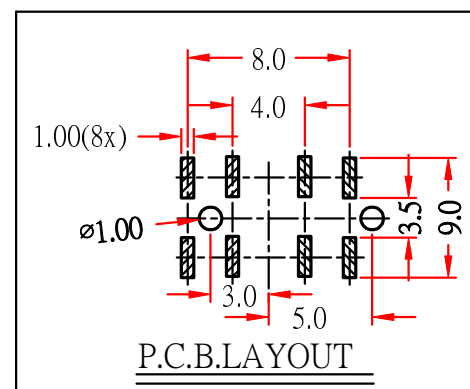
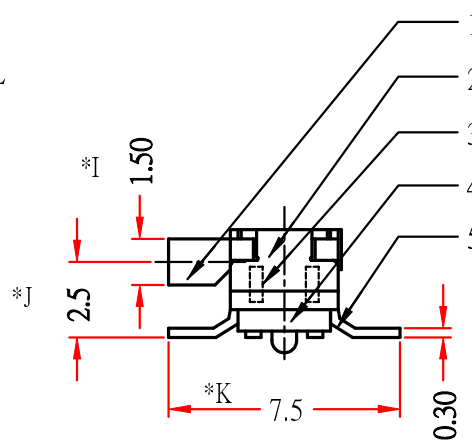
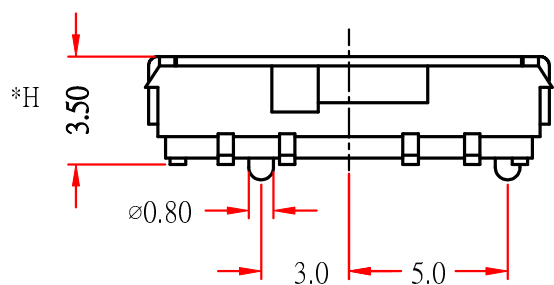
B

B



C

C



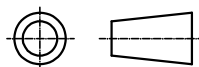
P.C.B.LAYOUT

* CRITICAL DIMENSION

D

D

CHI FUNG ELECTRONICS CO.,LTD.



7				
6				
5	TERMINAL	BRASS STRIP	8	Ag COATING
4	CASE	PA6T	1	BLACK
3	CONTACT	C5210R-EH	2	Ag CLAD
2	COVER	SUS	1	NATURAL
1	STEM	PA6T	1	WHITE/BLACK
NO.	PART NAME	MATERIAL	QTY	FINISHING

SERIES :MINI SLIDE SWITCH

DRAWING NO.: CF-ENL-MSH4019-3

PART NAME:MSH-23N02S

GENERAL TOLERANCE

UNIT : MM

DWN.

SCALE :4:1

CHK'D

REV : A/0

APPD.

WITHIN 0.XXmm ? 1.5mm

OVER 0.Xmm ? 0.25mm

1

2

3

4