

1

2

3

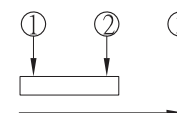
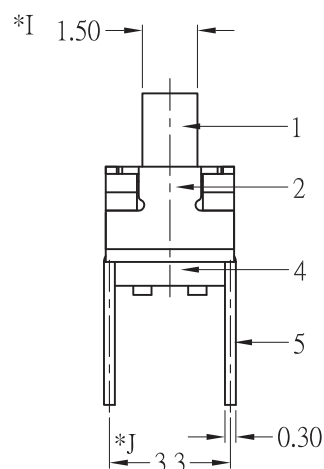
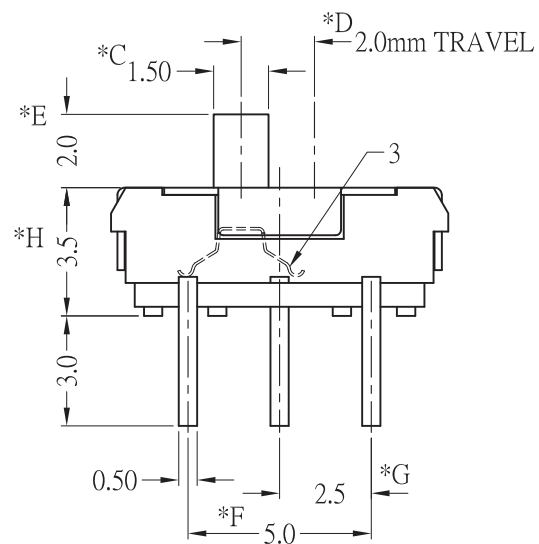
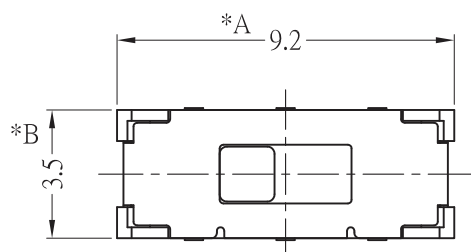
4

REVISION

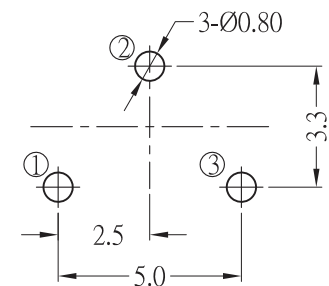
POSITION

DESCRIPTION

DATE

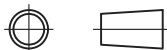


SCHEMATIC



P.C.B.LAYOUT(TOP VIEW)

\* CRITICAL DIMENSION



7

6

5

4

3

2

1

NO.

TERMINAL

CASE

CONTACT

COVER

STEM

PART NAME

BRASS STRIP

PA66

C5210R-EH

SUS

PA66

MATERIAL

3

1

2

1

1

QTY

Ag COATING

BLACK

Ag CLAD

NATURAL

BLACK

FINISHING

SERIES : MINI SLIDE SWITCH

DRAWING NO. CF-ENL-MSV4016-4

PART NAME :MSV-1235

GENERAL TOLERANCE

UNIT : MM

DWN.

X.XXmm±0.15mm

SCALE : 5:1

CHK'D

X.Xmm±0.25mm

REV : A/0

APPD.

1

2

3

4

A

B

C

D