

1

2

3

4

A

A

B

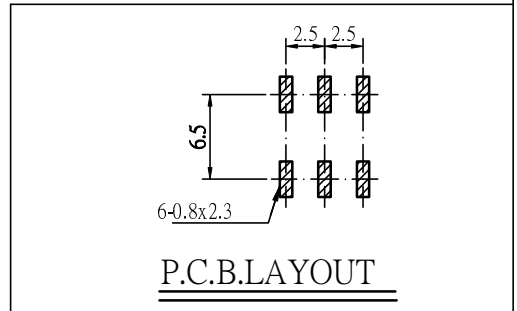
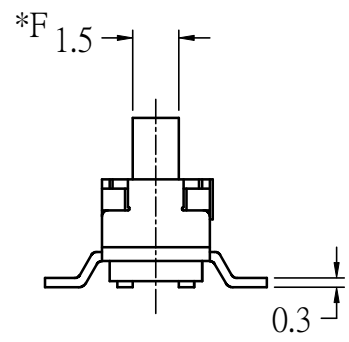
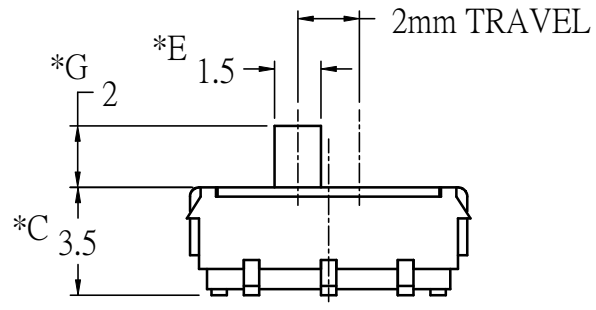
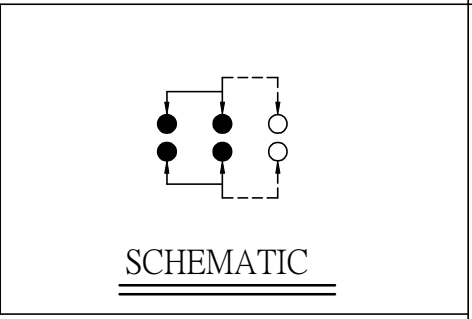
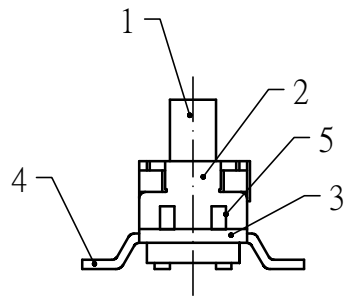
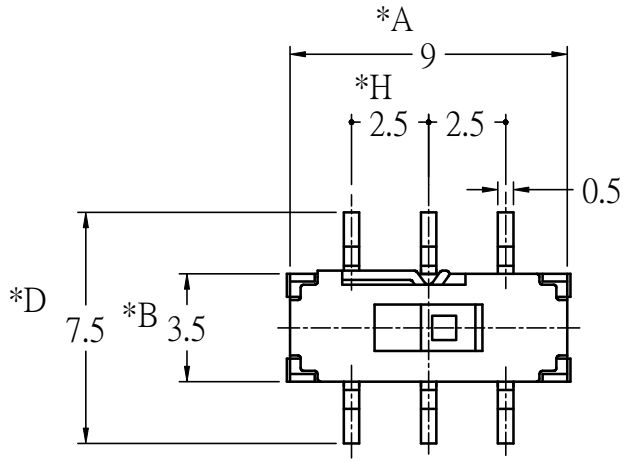
B

C

C

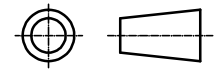
D

D



* CRITICAL DIMENSION

CHI FUNG ELECTRONICS CO.,LTD.



SERIES : MINI SLIDE SWITCH			DRAWING NO.: CF-ENL- MSV4011		7				
PART NAME: MSV-22N01S			GENERAL TOLERANCE		6				
UNIT : MM	DWN.		WITHIN 0.XXmm?.15mm OVER 0.Xmm?.25mm		5	CONTACT	C5210R-EH	2	Ag CLAD
SCALE : 4:1	CHK'D				4	TERMINAL	BRASS	6	Ag COATING
REV : A/0	APPD.				3	CASE	PA46	1	BLACK
					2	COVER	SUS	1	NATURAL
				1	STEM	PA46	1	WHITE	
				NO.	PART NAME	MATERIAL	QTY	FINISHING	

1

2

3

4