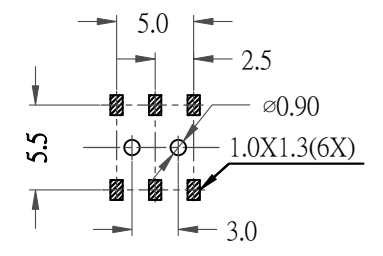
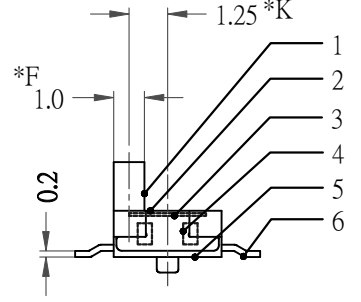
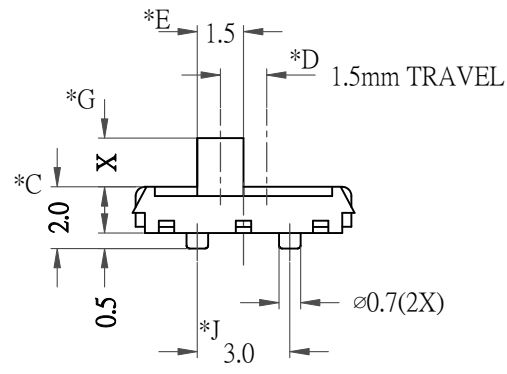


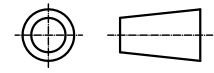
X= (height)	1.0mm
	2.0mm
	3.0mm

REVISION		
POSITION	DESCRIPTION	DATE
△	From the PA46 change to PA6T	2008-08-30



\* CRITICAL DIMENSION

CHI FUNG ELECTRONICS CO.,LTD.



SERIES :MINI SLIDE SWITCH		DRAWING NO.:	CF-ENL-MSV4012
PART NAME:MSV-22N03-GX		GENERAL TOLERANCE	
UNIT : MM	DWN.	WITHIN 0.XXmm?.15mm OVER 0.Xmm?.25mm	
SCALE :4:1	CHK'D		
REV : A/1	APPD.		

NO.	PART NAME	MATERIAL	QTY	FINISHING
7				
6	TERMINAL	PBS	6	Ag COATING
5	CASE	PA6T △	1	BLACK
4	CONTACT	C5210R-EH	2	Ag CLAD
3	SPRING PLATE	SUS	1	NATURAL
2	COVER	SUS	1	NATURAL
1	STEM	PA6T △	1	BLACK