

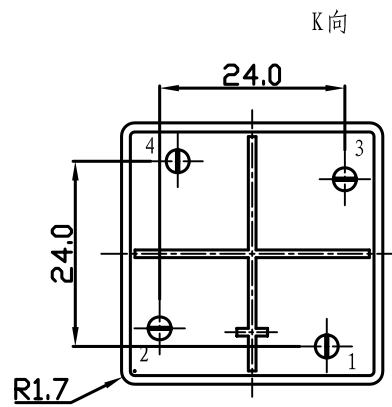
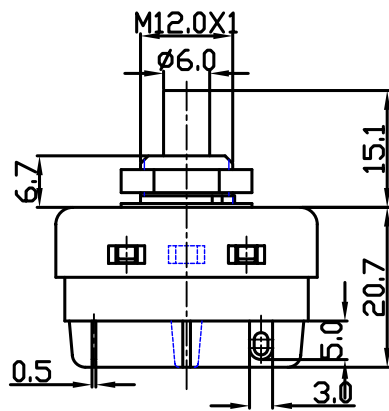
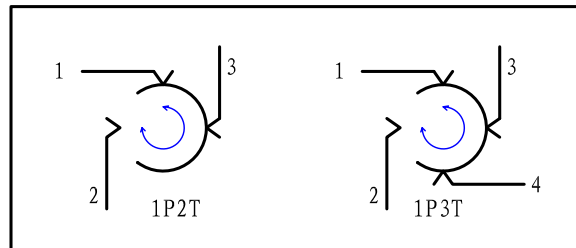


- * Product Name: Rotary Switch;
- * Model No: RT-18-1P3T
- * Voltage Resistance: 2000VAC, 1MIN;
- * Operating Temperature: T85
- * Electrical Life: more than 10, 000cycles
- * Contact Rating: UL CUL: 1/2A 250/125VAC
FI: 1A 250V ~

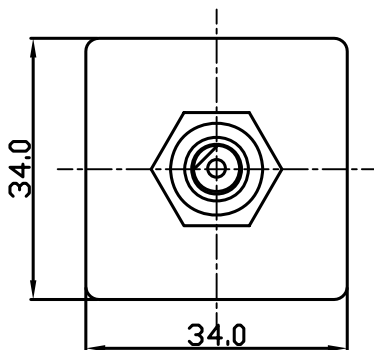


KNOB COLOR	BLACK
BASE COLOR	BLACK

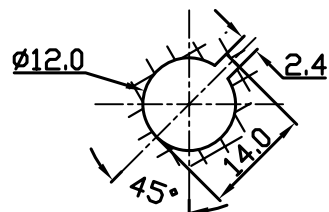
Wiring Diagram



↑K向



Panel Installation Size



Panel Installation Thickness 1 ~ 4mm